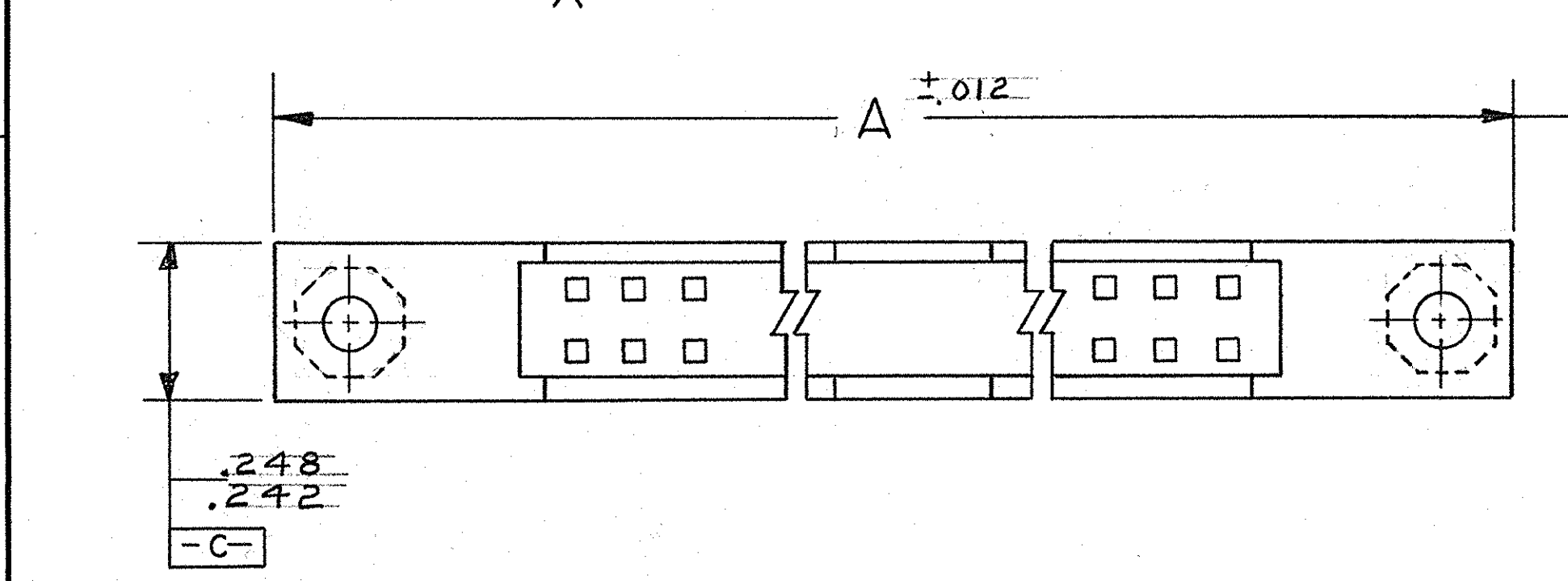
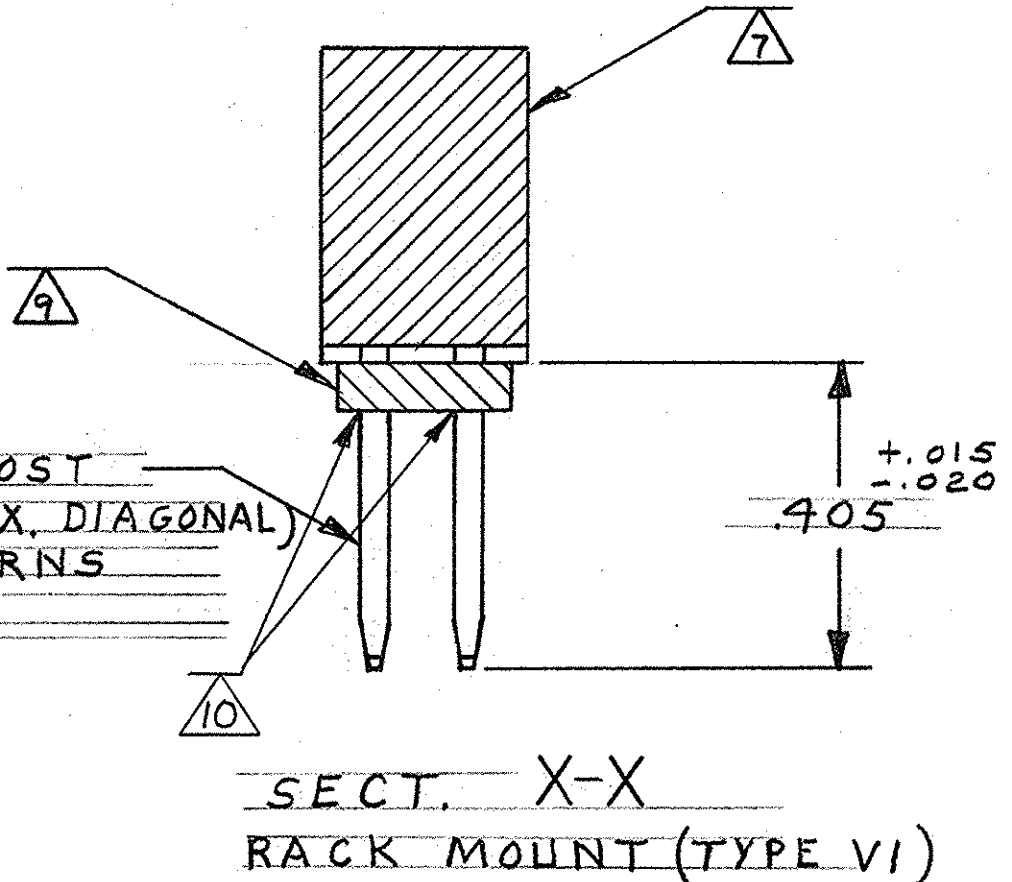
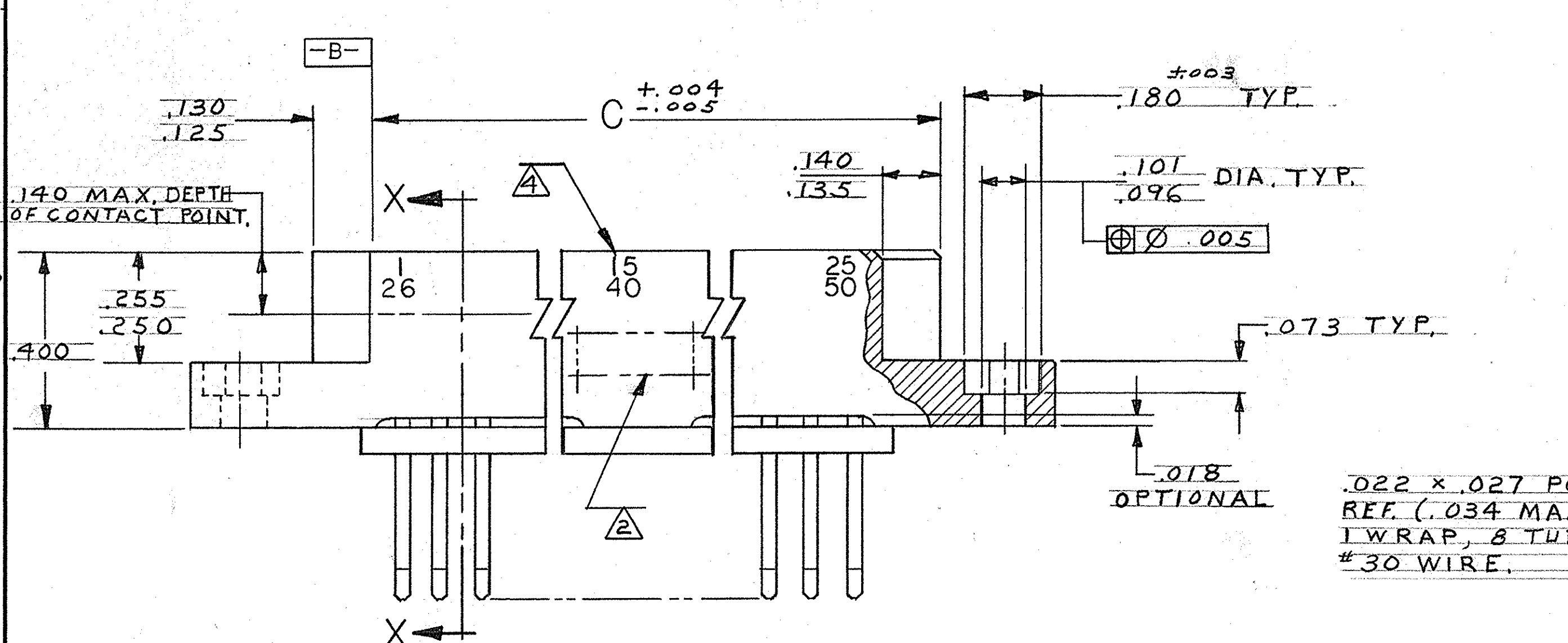
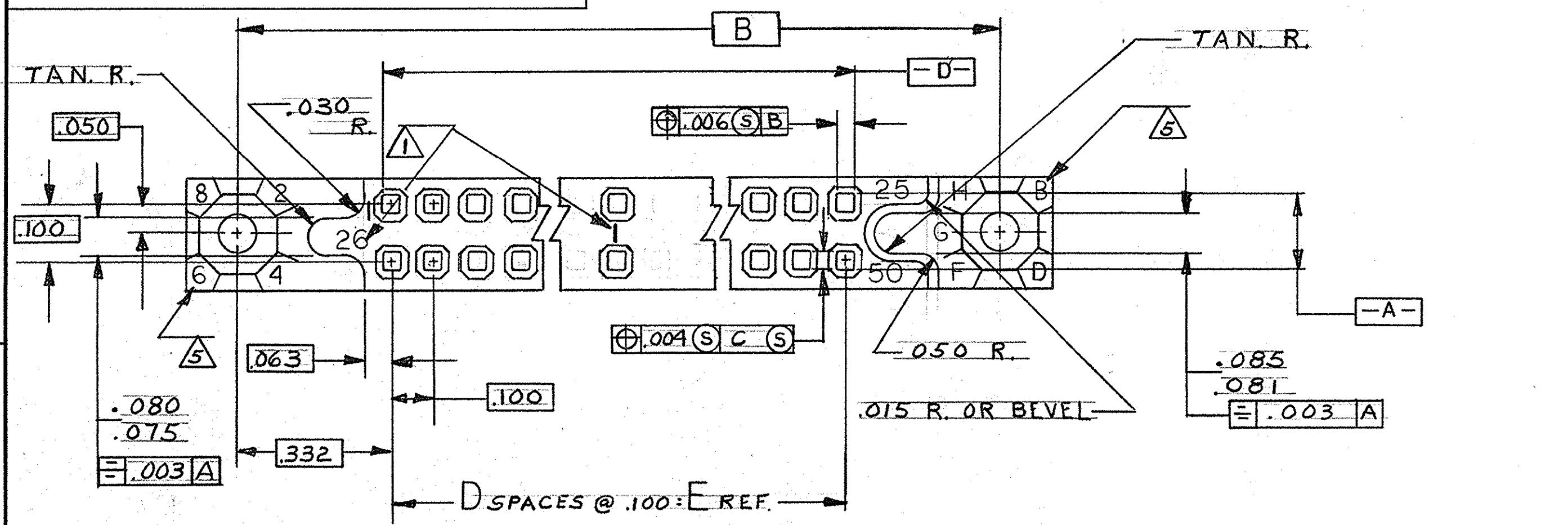


© COPYRIGHT 19 BY AMP INCORPORATED, HARRISBURG, PA.  
ALL INTERNATIONAL RIGHTS RESERVED. AMP INCORPORATED PRODUCTS  
COVERED BY U. S. AND FOREIGN PATENTS AND/OR PATENTS PENDING.

REVISIONS					
P	F	ZONE	LTR	DESCRIPTION	DATE APPROVED
			O1	REVISED 7070	12/12/80
			A	REV. PER ECN AB-0535	125-85 EAM
			B	REV PER DF-1942	T.W. 621-89 J. WARNER
			C	REV PER 0600-5859-96	TT 4-98
			D	REV PER ECO-05-013289	11-05 PY



UNLESS OTHERWISE SPECIFIED DIMENSIONS ARE IN INCHES. TOLERANCES ON: DECIMALS ±.005 ANGLES ±		CONTRACT NO DR <i>M. Smith</i> 5-2-80 CHK <i>Joseph Durbin</i> 5/9/80 APPD <i>Joseph Durbin</i> 5/8/80 APPD <i>E. Parsons</i> 5-12-80		PART NO	
MATERIAL 7 8 9		DSGN APPD		AMP INCORPORATED Harrisburg, Pa.	
FINISH 8		OTHER APPD		NAME BOX CONNECTOR, RECEPTACLE ASSY, .100 GRID EXTERNAL KEYING.	
				SIZE CODE IDENT NO DRAWING NO C 00779 531843	
				SCALE 4:1 SHEET 1 OF 2	

531843

© COPYRIGHT 19 BY AMP INCORPORATED, HARRISBURG, PA.  
 ALL INTERNATIONAL RIGHTS RESERVED. AMP INCORPORATED PRODUCTS  
 COVERED BY U. S. AND FOREIGN PATENTS AND/OR PATENTS PENDING.

REVISIONS			
P	F	ZONE	DATE
✓	✓	D	(SEE SHEET 1)

1. NUMBERS AND LINES INDICATING EVERY FIVE CAVITIES MARKED OR MOLDED ON MATING FACE.
2. AMP, PART NUMBER, CUSTOMER PART, AND DATE CODE MARKED OR MOLDED THIS SIDE. (SEE TABLE)
3. MUST MEET ALL APPLICABLE REQUIREMENTS OF MIL-C-55302.
4. NUMBERS INDICATING EVERY FIVE CAVITIES MARKED OR MOLDED ON SIDE.
5. KEY POSITION IDENTIFICATION MOLDED ON SURFACES AS SHOWN.
6. USE EXTERNAL KEY NUMBER 530341-1 MATES WITH PART NUMBER 530339.
7. HOUSING MATL.: DIALLYL PHTHALATE PER MIL-M-14 TYPE SDG-F, COLOR: BLUE.
8. CONTACT MATL.: BERYLLIUM COPPER, OR COPPER-NICKEL-SILICONE FINISH: .000050 GOLD OVER NICKEL.
9. POST STABILIZER MATL.: GLASS FILLED THERMOPLASTIC, FLAME RETARDANT, .060 THICK.
10. EPOXY ADDED TO AREA WHERE THE CONTACT POST EMERGE FROM THE STABILIZER TO INSURE POST TRUE POSITION.

531843

↑	↑	-003	46	90 <sup>45</sup>	4.400	44	4.665	5.065	5.355	90	531843-3
		-002	36	70 <sup>35</sup>	2.400	24	2.665	3.065	3.355	50	531843-2
		9332250CN-7109386-001	16	30 <sup>15</sup>	1.400	14	1.665	2.065	2.355	30	531843-1
CUSTOMER PART NUMBER			CONTACT IDENTIFICATION NO.		E	D	C	B	A	NO. OF CONTACTS	PART NO

UNLESS OTHERWISE SPECIFIED DIMENSIONS ARE IN INCHES. TOLERANCES ON: DECIMALS ±.005 ANGLES ±	CONTRACT NO		<b>AMP</b>   AMP INCORPORATED Harrisburg, Pa.
	DR	5-5-80	
	CHK	<i>Robert W. Durbin</i> 5/9/80	
	APPD	<i>Robert W. Durbin</i> 5/9/80	
MATERIAL	APPD	5-12-80	NAME BOX CONNECTOR, RECEPTACLE ASSY, 100 GRID, EXTERNAL KEYING.
FINISH	DSGN APPD	OTHER APPD	
SIZE CODE IDENT NO DRAWING NO <b>C 00779 531843</b>			SHEET 2
SCALE			

# Mouser Electronics

Authorized Distributor

Click to View Pricing, Inventory, Delivery & Lifecycle Information:

[TE Connectivity:](#)

[531843-1](#)