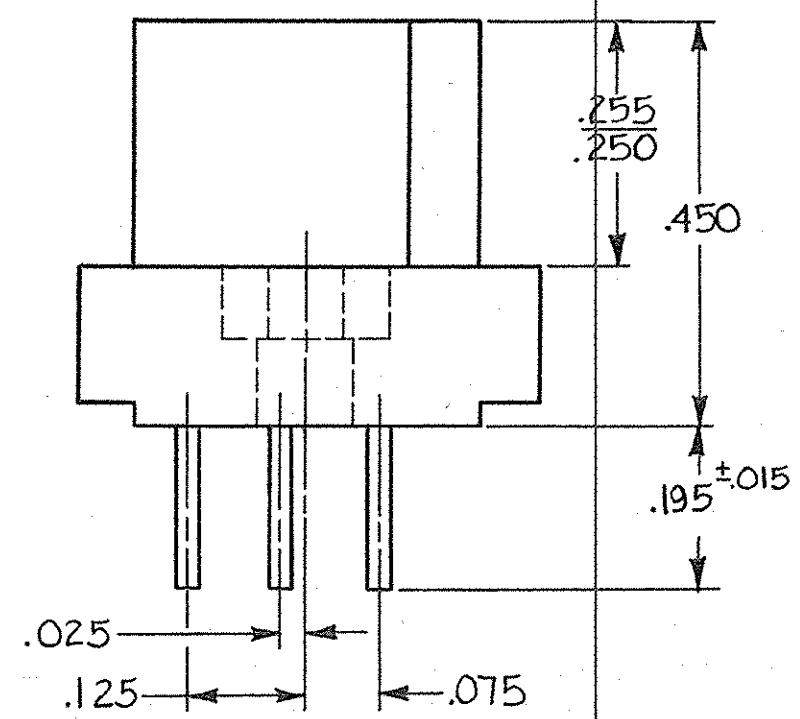
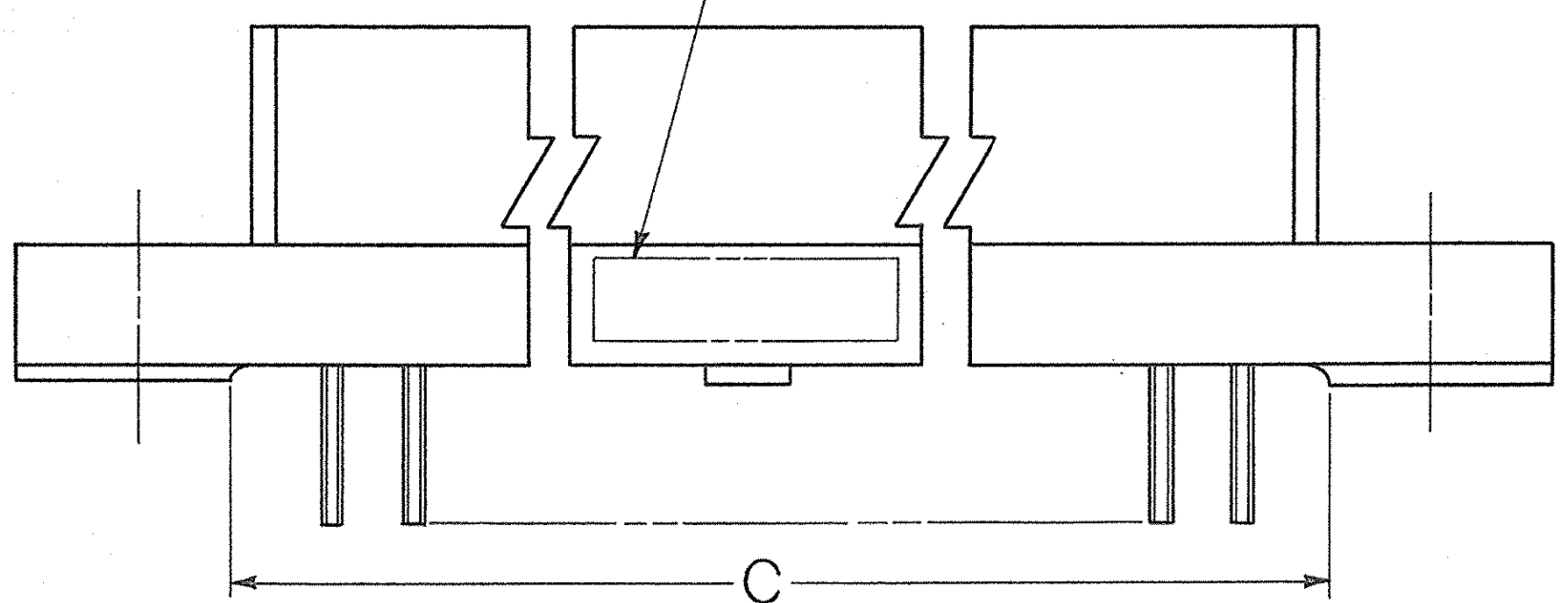
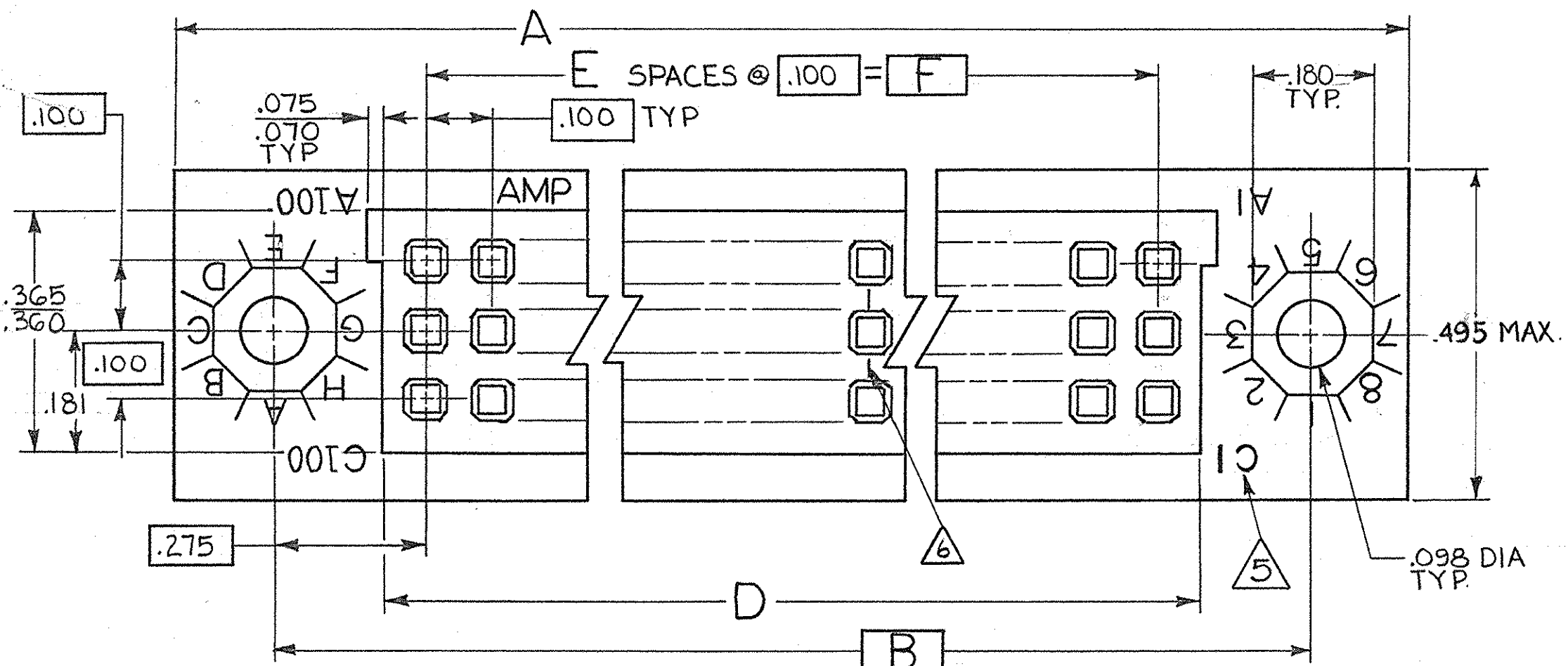


© COPYRIGHT 19 BY AMP INCORPORATED, HARRISBURG, PA.
ALL INTERNATIONAL RIGHTS RESERVED. AMP INCORPORATED PRODUCTS
COVERED BY U. S. AND FOREIGN PATENTS AND/OR PATENTS PENDING.

		REVISIONS				
P	F	ZONE	LTR	DESCRIPTION	DATE	APPROVED
		01		ADDED 1--1 6499 m.s.	2-20-80	WBF
		02		REVISED 6924 m.s.	10-80	WBF
		A		REVISED FINISH 7226 m.s.	2-81	WBF
		A		ECN 7979 & 7982 wpl	6-82	EAM
		B		REV PER ECNAB0522 db	2-85	EAM
		C		REV PER ECN AB-1454 db	3-86	EAM
		D		REV PER DF-0117 xs	8/88	JRM
		E		REV PER DF-6974 TA	8/93	DMM
		F		REV 0600-5641-96 TT	9-97	DMM
		G		REV PER OH14-0208-05	1-06	PY
		H		REV PER ECO-07-004569	3-07	PY



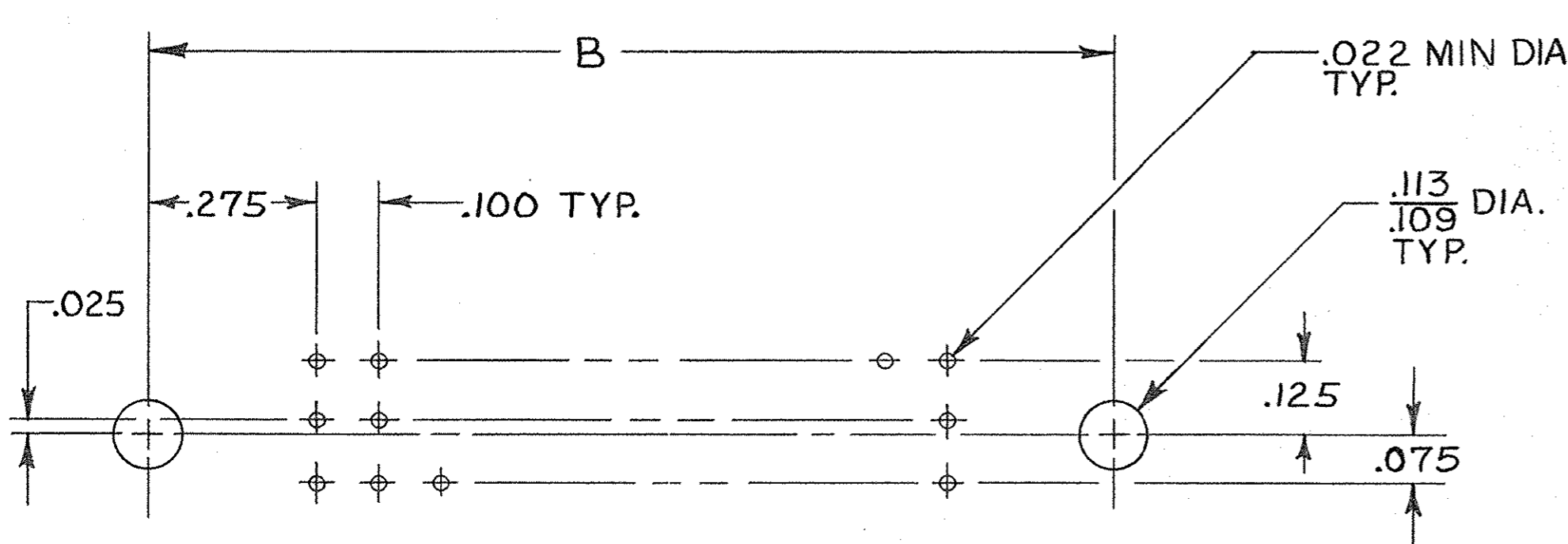
- △ AMP, DATE CODE, AND PART NUMBER MARKED THIS AREA.
- △ HOUSING MATERIAL: POLYPHENYLENE SULFIDE GST-40F, PER MIL-M-24519.
- △ CONTACT MATERIAL-BERYLLIUM COPPER (BeCu) OR COPPER NICKEL SILICONE (CuNiSi)
- △ FINISH-.000030 GOLD OVER .000030 NICKEL IN CONTACT AREA, .0001 TIN-LEAD ON SOLDER TAILS.
- △ LETTERS INDICATING OUTSIDE ROWS AND NUMBERS INDICATING END CAVITIES MARKED THIS SURFACE.
- △ LINES INDICATING EVERY FIVE CAVITIES MARKED ON MATING FACE.
- △ FINISH: .000030 GOLD OVER .000030 NICKEL IN CONTACT AREA, .0001 TIN ON SOLDER TAILS.

UNLESS OTHERWISE SPECIFIED DIMENSIONS ARE IN INCHES. TOLERANCES ON: DECIMALS ±.010 ANGLES ±		CONTRACT NO DR Debra Kelly 8-6-79 CHK W.H. Hitchcock Jr. 9/14/79 APPD W.H. Hitchcock Jr. 9/14/79 APPD W.H. Hitchcock Jr. 9/10/79 DSGN APPD OTHER APPD		PART NO	
MATERIAL △△		NAME RECEPTACLE ASSY, .100C, 3 ROW W/ MOUNTING EARS, BOX CONTACT, SOLDER TAIL		AMP AMP INCORPORATED Harrisburg, Pa.	
FINISH △△		SIZE CODE IDENT NO DRAWING NO C 00779 531138		REV H	
		SCALE 5:1		SHEET 1 OF 2	

531138

© COPYRIGHT 19 BY AMP INCORPORATED, HARRISBURG, PA.
ALL INTERNATIONAL RIGHTS RESERVED. AMP INCORPORATED PRODUCTS
COVERED BY U. S. AND FOREIGN PATENTS AND/OR PATENTS PENDING.

REVISIONS							
P	F	ZONE	LTR	DESCRIPTION	DATE	APPROVED	
(SEE SHEET 1 J)							



P.C. BOARD LAYOUT
(FLOW SOLDER TYPE)

4.900	49	5.024	5.125	5.450	5.750	150	5-531138-4
3.400	34	3.524	3.625	3.950	4.250	105	5-531138-2
2.900	29	3.024	3.125	3.450	3.750	90	5-531138-1
1.500	15	1.624	1.725	2.050	2.350	48	1-531138-6
9.900	99	10.024	10.125	10.450	10.750	300	1-531138-5
8.900	89	9.024	9.125	9.450	9.750	270	1-531138-4
6.400	64	6.524	6.625	6.950	7.250	195	1-531138-3
4.400	44	4.524	4.625	4.950	5.250	135	1-531138-2
3.200	32	3.324	3.425	3.750	4.050	99	1-531138-1
4.100	41	4.224	4.325	4.650	4.950	126	1-531138-0
4.000	40	4.124	4.225	4.550	4.850	123	-9
7.900	79	8.024	8.125	8.450	8.750	240	-8
6.900	69	7.024	7.125	7.450	7.750	210	-7
5.900	59	6.024	6.125	6.450	6.750	180	-6
5.400	54	5.524	5.625	5.950	6.250	165	-5
4.900	49	5.024	5.125	5.450	5.750	150	-4
3.900	39	4.024	4.125	4.450	4.750	120	-3
3.400	34	3.524	3.625	3.950	4.250	105	-2
2.900	29	3.024	3.125	3.450	3.750	90	531138-1

531138

UNLESS OTHERWISE SPECIFIED DIMENSIONS ARE IN INCHES. TOLERANCES ON: DECIMALS ± .010 ANGLES ±	CONTRACT NO	AMP INCORPORATED Harrisburg, Pa.	
	DR Debra Kelly 8-6-79	NAME RECEPTACLE ASS'Y, .100 @, 3 ROW, W/ MOUNTING EARS, BOX CONTACT, SOLDER TAIL	
MATERIAL 2/3	CHK W. W. Fitchard Jr. 9/11/79	SIZE	CODE IDENT NO
FINISH 4/7	APPD W. W. Fitchard Jr. 9/11/79	C	00779
	APPD D. Zentgraf 9/11/79	DRAWING NO 531138	
	DSGN APPD	SCALE	SHEET
	OTHER APPD	5:1	2
		REV	H

Mouser Electronics

Authorized Distributor

Click to View Pricing, Inventory, Delivery & Lifecycle Information:

[TE Connectivity:](#)

[531138-6](#)