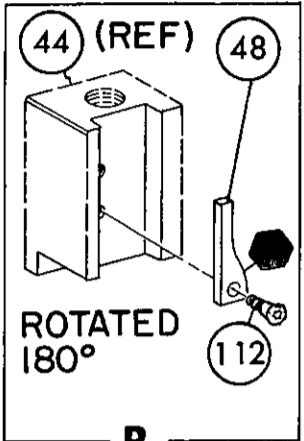
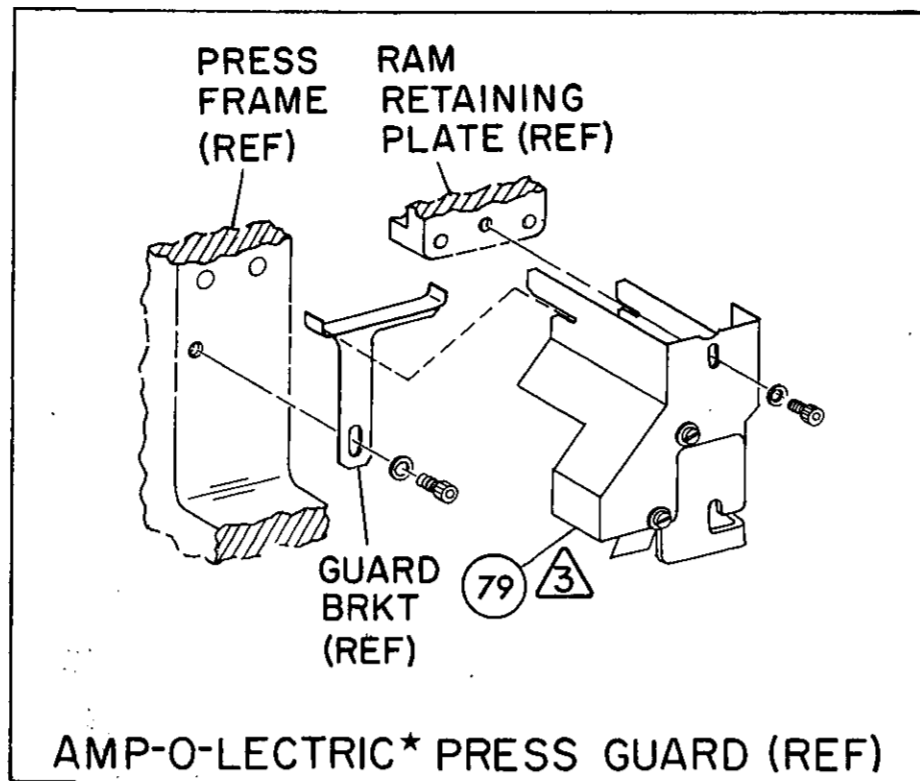
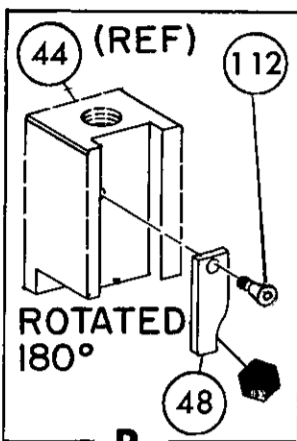


PRE-FEED
1 1/8" STROKE



POST-FEED
1 5/8" STROKE



NOTES:

1.- ONLY THE ITEMS WITH QUANTITIES SPECIFIED ON PARTS LIST ARE USED ON THIS APPLICATOR.

2.- USED IN PLACE OF ITEM 38 WHEN INSULATION CRIMP IS NOT USED.

3.- GUARD MUST BE IN PLACE WHEN OPERATING APPLICATOR IN AMP-O-LECTRIC PRESS.

4. PARTS WITH QTY. OF REF. SPECIFIED (EXCEPT ITEM 79) ARE USED ON ITEM 46.

KEY:

RECOMMENDED SPARE PARTS CUSTOMER RESPONSIBLE FOR REPLACEMENT.

LUBRICATE DAILY USING NO. 20 MACHINE OIL.

QTY	PART NO	DESCRIPTION	ITEM NO
REF	21045-3	RING, RETAINING 'C' (.187 DIA) FEED FINGER PIN	145
REF	454220-1	CAP, HOUSING	59
REF	454485-1	HOUSING	58
REF	5-21028-1	PIN, SLOT SPR (.125 DIA X .50) ADJ ROD	143
1	4-21028-0	PIN, SLOT SPR (.093 DIA X .75) STR G PLATE	142
REF	1-21030-1	PIN, DOWEL (.187 DIA X .50) LEVER	141
REF	1-21030-6	PIN, DOWEL (.187 DIA X 1.25) HOUSING	140
REF	21024-5	WASHER, LOCK (NO 10) LUB ASSY	139
REF	21024-5	WASHER, LOCK (NO 10) STRIP GUIDE ADJ BLOCK	138
REF	21024-5	WASHER, LOCK (NO 10) ADJ PLATE	137
REF	21024-5	WASHER, LOCK (NO 10) FEED GUIDE ROD	136
3	21057-2	WASHER, LOCK (NO 4) FRONT STRIP GUIDE	135
1	21024-4	WASHER, LOCK (NO 8) FEED FINGER	134
2	21024-4	WASHER, LOCK (NO 8) DEPRESSOR	133
1	21024-4	WASHER, LOCK (NO 8) STRIPPER	132
REF	21899-4	WASHER, FLAT (5/16 DIA) SCREW ADJ	131
REF	21899-2	WASHER, FLAT (NO 10) LUB ASSY	130
1	21068-5	NUT, HEX MACH (6-32) HOLDDOWN	129
REF	21068-5	NUT, HEX MACH (6-32) FEED ADJ	128
REF	22353-8	SCR, SHLD. (.187 DIA X .250 LG) DRAG LEVER	126
1	45667-1	SCR, SHLD. (.188 DIA X .25 LG) STRIPPER	125
1	21009-2	SCR, SKT SET (1/4-20 X .25) (LOC-WEL) RAM	124
REF	3-21064-2	SCR, RD HD MACH (6-32 X 1.50) FEED ADJ	122
2	2-21002-9	SCR, BUT HD SKT CAP (10-32 X .75) DRAG	120
1	22733-8	SCR, BUT HD SKT CAP (8-32 X .38) (LOC-WEL) ANVIL	119
REF	2-21002-9	SCR, BUT HD SKT CAP (10-32 X .75) CAP	118
REF	1-24073-9	SCR, BUT HD SKT CAP (1/4-20 X .75) HOUSING	117
REF	2-21002-7	SCR, BUT HD SKT CAP (10-32 X .50) SG ADJ BLOCK	116
4	2-21002-2	SCR, BUT HD SKT CAP (8-32 X .50) SHEAR	115
2	2-21002-2	SCR, BUT HD SKT CAP (8-32 X .50) R STRIP GUIDE	114
1	2-21003-0	SCR, FLAT HD SKT CAP (6-32 X .50) CAM	113
REF	3-21000-4	SCR, SKT HD CAP (10-32 X .38) LUBRICATOR ASSY	112
2	23030-1	SCR, SKT HD CAP (6-32 X .25) (LOC-WEL) CP DISC	110
2	2-21000-7	SCR, SKT HD CAP (6-32 X .50) REAR SHEAR PLATE	109
1	2-22603-0	SCR, SKT HD CAP (8-32 X .50) DEPRESSOR	108
1	2-22603-0	SCR, HEX HD MACH (8-32 X .31) FEED FINGER	107
3	1-21000-3	SCR, SKT HD CAP (4-40 X .25) F STRIP GUIDE	106
1	2-21000-7	SCR, SKT HD CAP (8-32 X .50) STRIPPER	105
REF	3-21000-7	SCR, SKT HD CAP (10-32 X .75) FEED ROD GUIDE	104
REF	3-21000-6	SCR, SKT HD CAP (6-32 X .62) FEED ADJ BLOCK	103
1	3-21000-4	SCR, SKT HD CAP (10-32 X .38) SG ADJ BLOCK	102
REF	3-21000-4	SCR, SKT HD CAP (10-32 X .38) PIVOT BLOCK	101
REF	455749-1	GUARD, WINDOW	79
REF	1-465184-0	LUBRICATOR ASSY	78
REF	458109-1	WASHER, SPECIAL	77
1	454877-3	PLATE, STRIP GUIDE COVER	74
2	690603-1	SPRING, ASSIST	72
REF	690517-1	SPACER	71
REF	22594-8	NUT, HEX	70
REF	240628-1	PLATE, ADJUSTMENT	69
REF	240626-1	SHAFT, PIVOT	68
REF	240633-1	BUSHING	67
REF	455680-1	LEVER, INTERMEDIATE	66
REF	240629-1	BLOCK, PIVOT	65
REF	240632-2	SCREW, ADJUSTMENT FEED ROD	64
REF	240659-3	PIN, CAM ROLLER	63
REF	240658-1	ROLLER, CAM	62
REF	454398-2	ROD, FEED	61
REF	454178-1	GUIDE, FEED ROD	60

QTY	PART NO	DESCRIPTION	ITEM NO
REF	458109-1	WASHER, SPECIAL	74
1	454877-3	PLATE, STRIP GUIDE COVER	74
2	690603-1	SPRING, ASSIST	72
REF	690517-1	SPACER	71
REF	22594-8	NUT, HEX	70
REF	240628-1	PLATE, ADJUSTMENT	69
REF	240626-1	SHAFT, PIVOT	68
REF	240633-1	BUSHING	67
REF	455680-1	LEVER, INTERMEDIATE	66
REF	240629-1	BLOCK, PIVOT	65
REF	240632-2	SCREW, ADJUSTMENT FEED ROD	64
REF	240659-3	PIN, CAM ROLLER	63
REF	240658-1	ROLLER, CAM	62
REF	454398-2	ROD, FEED	61
REF	454178-1	GUIDE, FEED ROD	60

CRIMPING DATA				APPLICATOR WILL APPLY	
PAD LTR	CRIMP HEIGHT	WIRE SIZE	WIRE STRIP LENGTH	62358	
A	.040	# 20			
B	.037	# 22			
C	.033	# 24			
D	NOT USED				
CRIMP	SIZE	TYPE	FEED	APPL INST	
WIRE	.055	F	400	A1 8040	
INSUL	.090	F			
WIRE RANGE		INSULATION RANGE		PRESS NO	
24 to 20		.042 to .073		565435-5	
REMARKS AMP-O-LECTRIC PRE-FEED					

REMARKS	NO	REV
APPL USED ON MACHINE PART NO	MACH SERIAL NO	DISTRIBUTION
CUSTOMER NAME	APPL SERIAL NO	ORIGINAL
ADDRESS	PURCHASE ORDER	CUSTOMER COPY
CITY	ENG APP	FIELD ENG COPY

Mouser Electronics

Authorized Distributor

Click to View Pricing, Inventory, Delivery & Lifecycle Information:

[TE Connectivity:](#)

[466399-2](#)