

**NOTES:**

1. ONLY THE ITEMS WITH QUANTITIES SPECIFIED ON PARTS LIST ARE USED ON THIS APPLICATOR.

▲ USED IN PLACE OF ITEM 38 WHEN INSULATION CRIMP IS NOT USED.

▲ GUARD MUST BE IN PLACE WHEN OPERATING APPLICATOR IN AMP-O-LECTRIC PRESS.

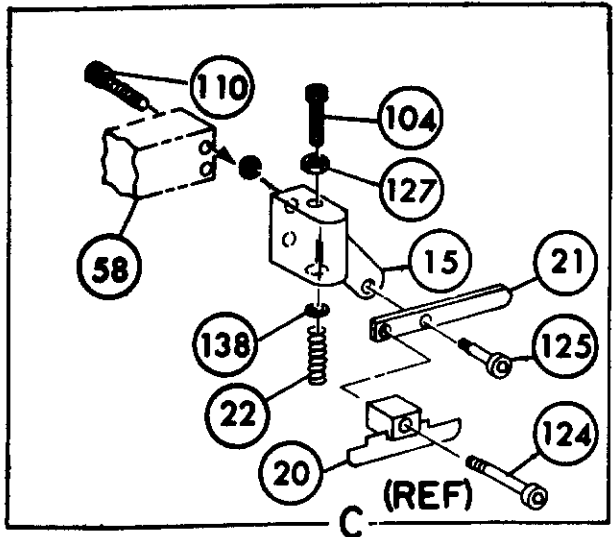
4. PARTS WITH QTY. OF REF. SPECIFIED (EXCEPT ITEM 79) ARE USED ON ITEM 32.

**KEY:**

■ RECOMMENDED SPARE PARTS. CUSTOMER RESPONSIBLE FOR REPLACEMENT.

▲ LUBRICATE DAILY USING NO. 20 MACHINE OIL.

● GREASE LIGHTLY.



BTN HD SOC CAP SCR 3/8-16 X 75 (REF)

REF.	QTY	PART NO	DESCRIPTION	ITEM	REF.	QTY	PART NO	DESCRIPTION	ITEM
21045-3		RING, RETAINING 'C' (.187 DIA) FEED PIN	145		454220-1		CAP, RAM	59	
5-21028-1		PIN, SLOT SPG (.12 DIA X .50) FD ADJ ROD	143		453736-1		HOUSING	58	
1-21030-7		PIN, DOWEL (.187 DIA X 1.50) HOUSING	141		240624-1		PIN, FEED FINGER	55	
1-21030-1		PIN, DOWEL (.187 DIA X .50) LEVER	140		691499		SPRING, FEED FINGER	54	
22260-5		WASHER, FLAT (NO 6) DRAG SPRING	139		240635-1		FINGER, FEED	53	
21899-4		WASHER, FLAT (5/16 DIA) SCR ADJ	137		240634-1		LEVER, TERMINAL	52	
21024-5		WASHER, LOCK (NO 10) FEED ADJ PLATE	135	1	7-21002-9		BOLT, CRIMPER	49	
21024-5		WASHER, LOCK (NO 10) SHEAR PLATES	134	1	690602-5		CAM, PRE FEED 1 1/8 STROKE	48	
21024-5		WASHER, LOCK (NO 10) FEED ROD GUIDE	133					47	
21024-4		WASHER, LOCK (NO 8) STRIP GUIDE	132					46	
21024-4		WASHER, LOCK (NO 8) SHEAR BLADE	131	1	690191-1		PLUG, NYLON	45	
21018-4		NUT, HEX MACH (4-40) DRAG	129	1	455674-1		RAM	44	
21068-5		NUT, HEX MACH (6-32) FD ADJ PLATE	128	1	690125-1		WASHER, LAMINATED	43	
21018-7		NUT, HEX MACH (10-32) DRAG SPRING	127	1	690124-1		WASHER, RAM	42	
21022-2		NUT, HEX SELF-LKG (8-32) DRAG STUD	126	1	690223-1		SPACER, DISC	41	
5-21004-7		SCR, SKT HD SHLD (250 DIA X .25) DRAG ARM	125	1	23241-6		BALL, STEEL	40	
21004-5		SCR, SKT HD SHLD (250 DIA X 1.00) DRAG	124		690170-1		SPRING, COMPRESSION	39	
4-21078-P		SCR, SKT SET OVAL POIN, (4-40 X .75) DRAG	123	1			DISC, INSULATION	38	
21009-2		SCR, SKT SET (1/4-20 X 25) (LOC-WEL) RAM	122	1	1-690141-3		DISC, WIRE	37	
2-21003-0		SCR, FLAT HD SKT CAP (6-32 X .50) CAM	121	1	22480-5		WASHER, SPRING	36	
3-21064-2		SCR, RD HD MACH (6-32 X 1.50) FEED ADJ	118	1	690212-1		POST, RAM	35	
2-21002-2		SCR, BTN HD SKT CAP (8-32 X .50) STRIPPER	116					34	
2-21002-9		SCR, BTN HD SKT CAP (10-32 X .75) HSG CAP	115					33	
22733-B		SCR, BTN HD SKT CAP (8-32 X .38) (LOC-WEL) ANVIL	114	1	458980-1		APPLICATOR, BASIC (SUB ASSY)	32	
3-21002-3		SCR, BTN HD SKT CAP (1/4-20 X .50) STR GDE PL	113	1				31	
1-24073-9		SCR, BTN HD SKT CAP (1/4-20 X .75) BASE PL	112	REF.				30	
2-21000-4		SCR, SKT HD CAP (6-32 X 1.00) DRAG ADAPTOR	111	2				29	
23030-1		SCR, SKT HD CAP (6-32 X .25) (LOC-WEL) CP DISC	109					28	
2-21000-6		SCR, SKT HD CAP (8-32 X .38) SHEAR BLADE	108	2				27	
7-21000-4		SCR, SKT HD CAP (8-32 X .31) STRIP GUIDE	107					26	
7-21000-4		SCR, SKT HD CAP (8-32 X .31) STRIP GUIDE	106	1				25	
3-21000-7		SCR, SKT HD CAP (10-32 X .75) FD ROD GUIDE	105	1				24	
3-21000-9		SCR, SKT HD CAP (10-32 X 1.00) DRAG SPRING	104	1				23	
3-21000-6		SCR, SKT HD CAP (10-32 X .62) FD ADJ PLATE	103	REF.				22	
3-21000-4		SCR, SKT HD CAP (10-32 X .38) PIVOT BLK	102	REF.				21	
3-21000-8		SCR, SKT HD CAP (10-32 X .88) SHEAR PLATE	101					20	
455745-1		GUARD, WINDOW	79	▲				19	
465184-9		LUBRICATG. ASSY	78					18	
455985-1		OIL, LUBRICATING	77					17	
454406-1		SPACER, LUB BRACKET	76	1				16	
458109-1		WASHER, FLAT (SPECIAL)	73	1				15	
690603-1		SPRING, ASSIST	72	1				14	
690517-1		SPACER	71					13	
22594-8		NUT, HEX	70	1				12	
240628-1		PLATE, ADJ	69					11	
240626-1		SHAFT, PIVOT	68					10	
240633-1		BUSHING	67					9	
455680-1		LEVER, INTERMEDIATE	66	1				8	
240629-1		BLOCK, PIVOT	65					7	
240632-2		SCREW, ADJ	64					6	
240659-3		PIN, CAM ROLLER	63					5	
240658-1		CAM, ROLLER	62					4	
454398-1		ROD, FEED	61					3	
			60					2	
								1	

CRIMPING DATA				APPLICATOR WILL APPLY	
PAD LTR	CRIMP HEIGHT	WIRE SIZE	WIRE LENGTH		
A					41544
B	CRIMP TILL TIGHT				41933
C					42309
D					
CRIMP	SIZE	TYPE	FEED	APPL INST	
WIRE	.100	00	.623	A1 8039	
INSUL					
WIRE RANGE	INSULATION RANGE	PRESS NO			
	.058-.062	965435-5			
REMARKS					
AMP-O-LECTRIC PRE FEED					

REMARKS	NO	REV
TO APPLY TERMINAL		
APPL USED ON MACHINE PART NO	MACH SERIAL NO	DISTRIBUTION
CUSTOMER NAME	APPL SERIAL NO	ORIGINAL
ADDRESS	PURCHASE ORDER	CUSTOMER COPY
CITY	ENG APP	FIELD ENG COPY

PF	LTR	REVISION RECORD	APP DATE	PF	LTR	REVISION RECORD	APP DATE

THIS INFORMATION IS CONFIDENTIAL AND IS DISCLOSED TO YOU ON CONDITION THAT YOU WILL NOT DISCLOSE IT TO OTHERS WITHOUT WRITTEN AUTHORIZATION FROM AMP INCORPORATED, HARRISBURG, PA.

# Mouser Electronics

Authorized Distributor

Click to View Pricing, Inventory, Delivery & Lifecycle Information:

[TE Connectivity:](#)

[466072-2](#)