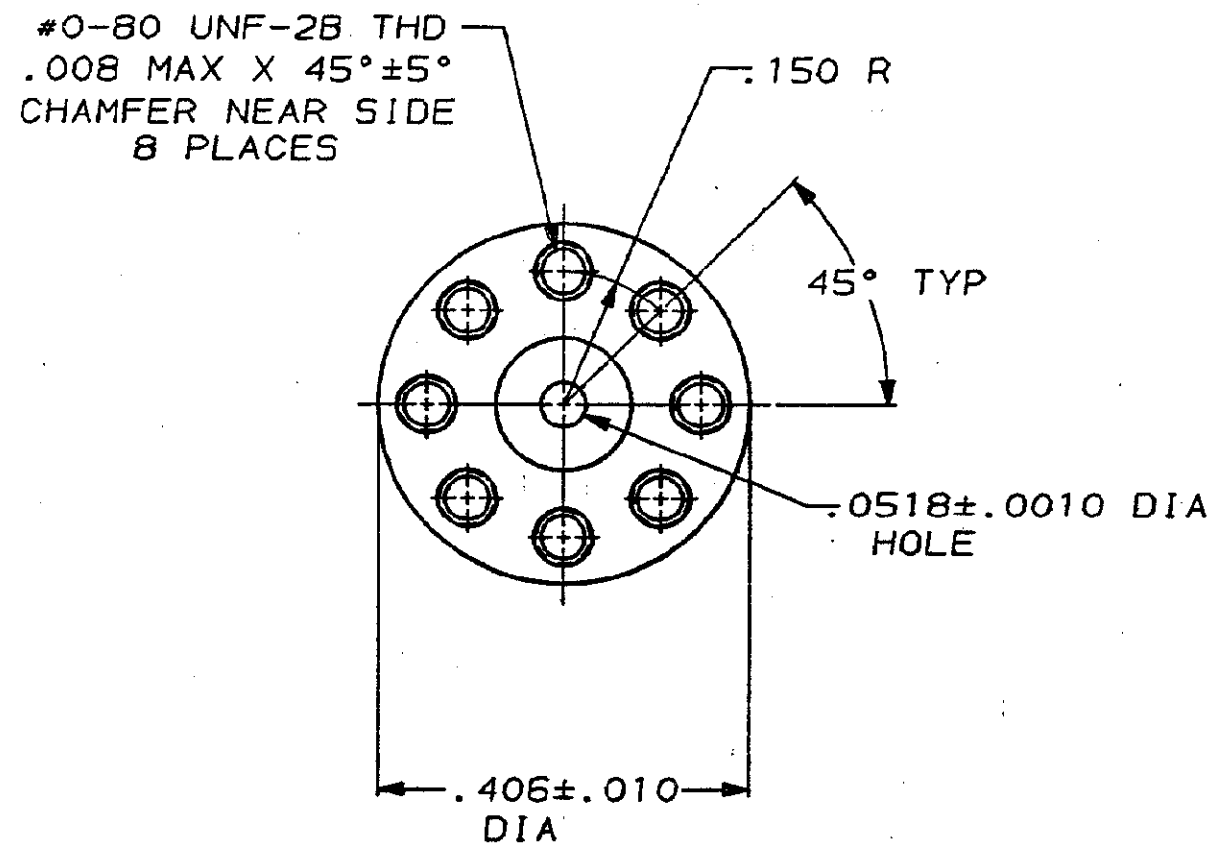
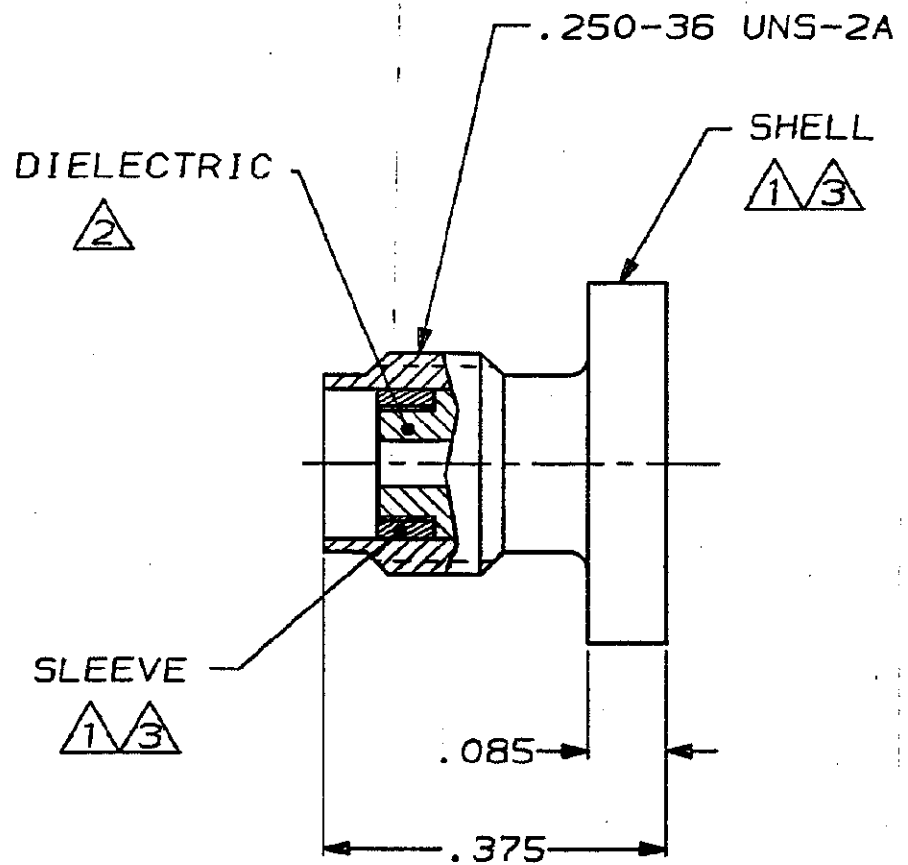


THIS DRAWING IS UNPUBLISHED. RELEASED FOR PUBLICATION, 19
 © COPYRIGHT 19 BY AMP INCORPORATED. ALL INTERNATIONAL RIGHTS RESERVED.

LOC	DIST	P	F	REVISIONS				
				ZONE	LTR	DESCRIPTION	DATE	APPD
DF	X0				O	REL PER NPR 91-0048	-	-
					A	REV PER ECN DF-5245	8-15-91	MEP RM



CUSTOMER P/N 11727682-1

- ① STAINLESS STEEL PER QQ-S-763
- ② TEFLON PER MIL-P-19468
- ③ GOLD PLATE PER MIL-G-45204

DO NOT SCALE PRINT. UNLESS SPECIFIED DIMENSIONS IN INCHES. TOLERANCES ON: 2 PLC DEC ± - 3 PLC DEC ± .005 ANGLES ± -		DR 2-14-91 M.E. PASTAL	PART NO	
MATERIAL	①②	CHK 2-18-91 R.G. LEIBFRIED JR	AMP AMP Incorporated Harrisburg, PA 17105-3608	
FINISH	③	APPD 2-18-91 R.L. FISHER JR	NAME LAUNCHER, JACK, SMA	
		APPD -	SIZE B	CAGE CODE 00779
		PRODUCT SPEC -	SCALE 5:1	DRAWING NO 447736-1
		APPLICATION SPEC -		SHEET 1 OF 1
		WEIGHT -		

Mouser Electronics

Authorized Distributor

Click to View Pricing, Inventory, Delivery & Lifecycle Information:

[TE Connectivity:](#)

[447736-1](#)