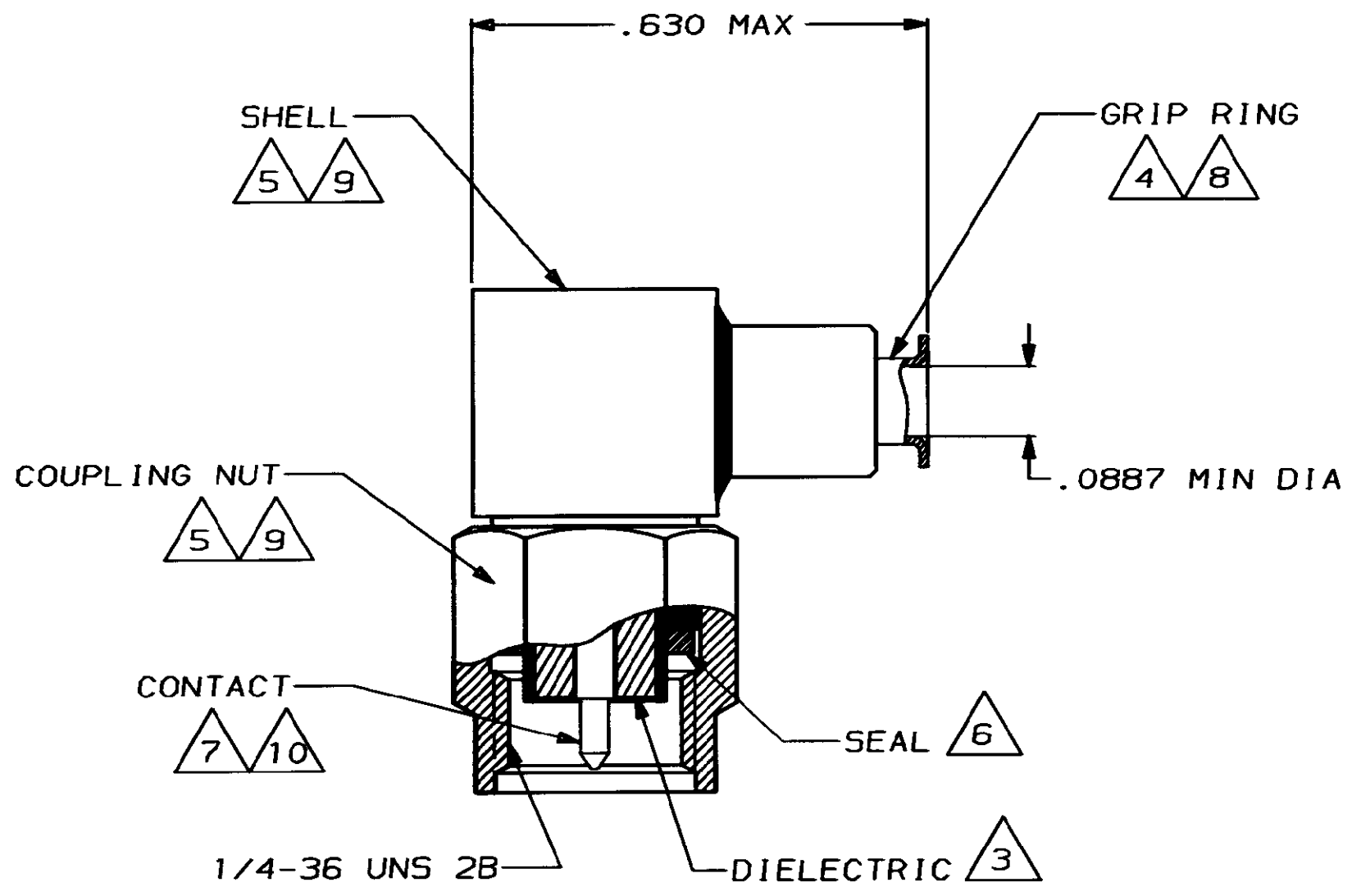
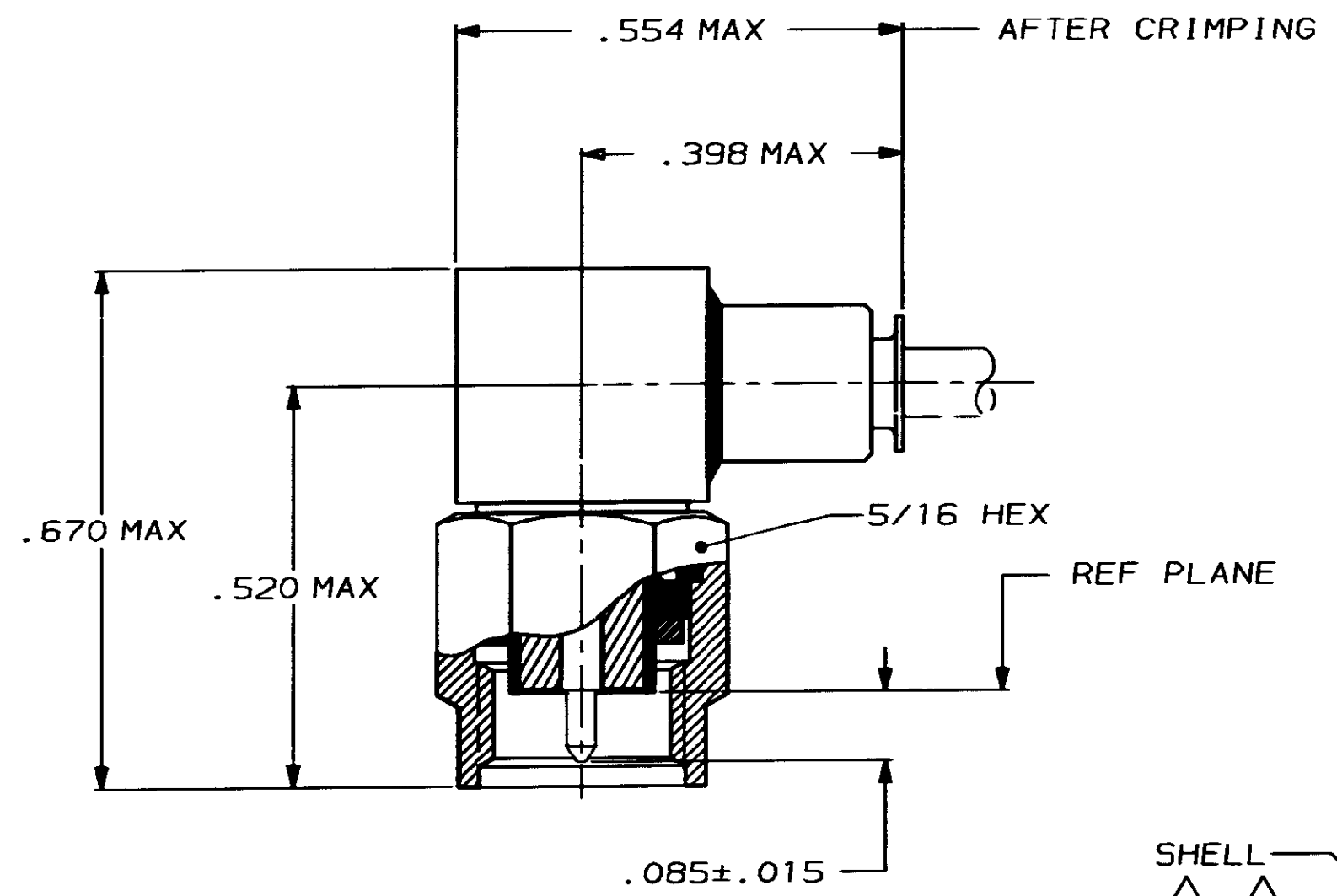
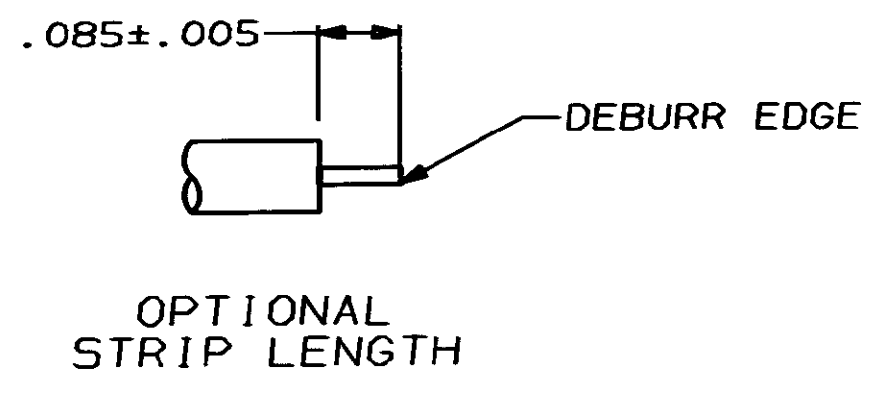
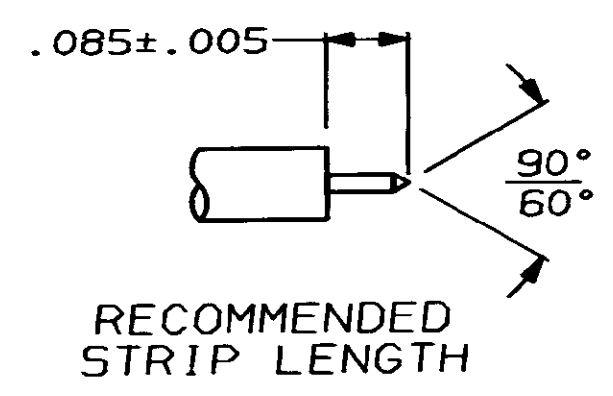


LOC	DIST	P	F	ZONE	LTR	DESCRIPTION	DATE	APPROVED
AJ	16				C	REV & REDRAWN PER AJ-2627	12-7-87	RR/DH
					D	REV PER AJ-3649	2-15-89	CB



1. FOR USE WITH: RG-405/U, .086 SEMI RIGID CABLE
2. SEE I.S. 6788
3. PTFE PER MIL-P-19468
4. BRASS PER MIL-C-50
5. STAINLESS STEEL PER ASTM-A-582
6. SILICONE RUBBER PER ZZ-R-765
7. BERYLLIUM COPPER PER QQ-C-530
8. NICKEL PL PER QQ-N-290
9. PASSIVATION PER QQ-P-35
10. GOLD PL PER MIL-G-45204
11. .500 MIN LENGTH OF STRAIGHT CABLE REQUIRED TO APPLY THE CONNECTOR
12. 00779 M39012/80-3307



UNLESS OTHERWISE SPECIFIED DIMENSIONS ARE IN INCHES TOLERANCES ON :		DR R. RUTH 12-7-87	228583-1	
2 PL DEC ± —		CHK D. HEIDE 12-7-87	PART NO	
3 PL DEC ± —		APPD M. WALMSLEY 12-8-87	AMP INCORPORATED Harrisburg, Pa. 17105	
ANGLES ± —		APPD R. RUTH 12-10-87	NAME	
MATERIAL	3 THRU 7	PRODUCT SPEC 108-12055	PLUG, RIGHT ANGLE, MIL-F, SERIES SMA	
FINISH	8 THRU 10	APPLICATION SPEC	SIZE C	FSCM NO 00779
WEIGHT		WEIGHT	DRAWING NO 228583-1	
			SCALE 5:1	SHEET 1 OF 1

Mouser Electronics

Authorized Distributor

Click to View Pricing, Inventory, Delivery & Lifecycle Information:

[TE Connectivity:](#)

[228583-1](#)