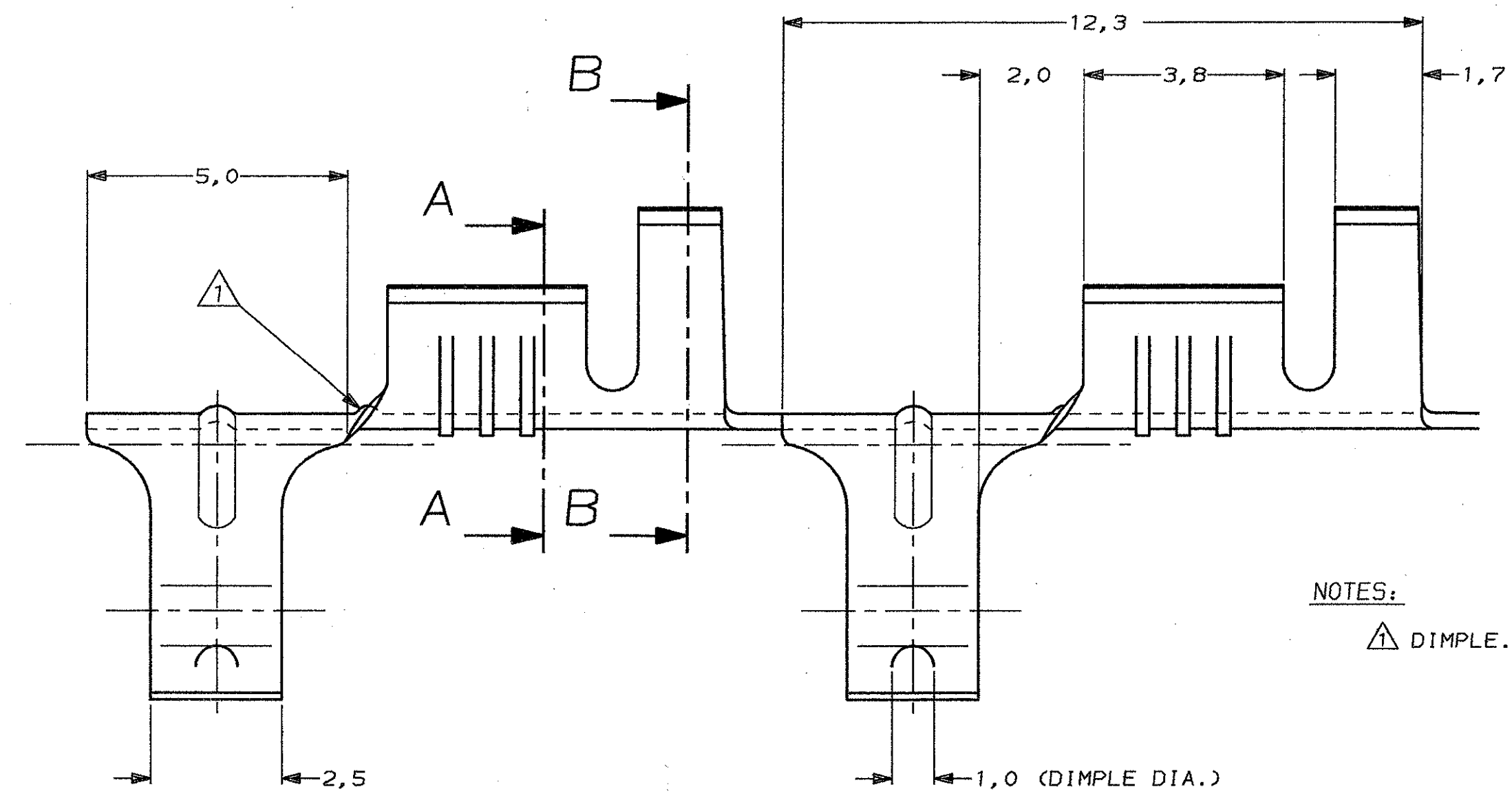
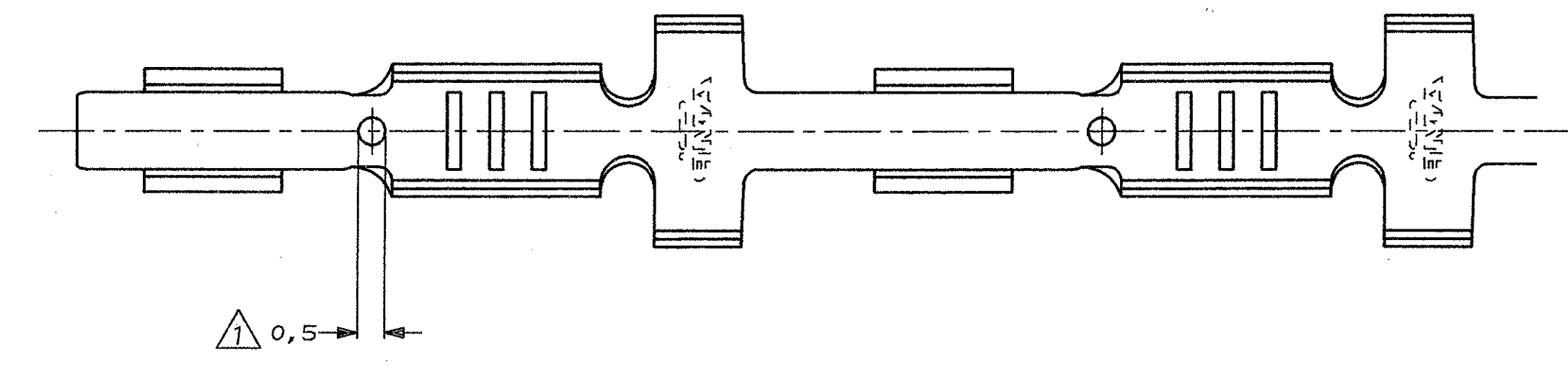
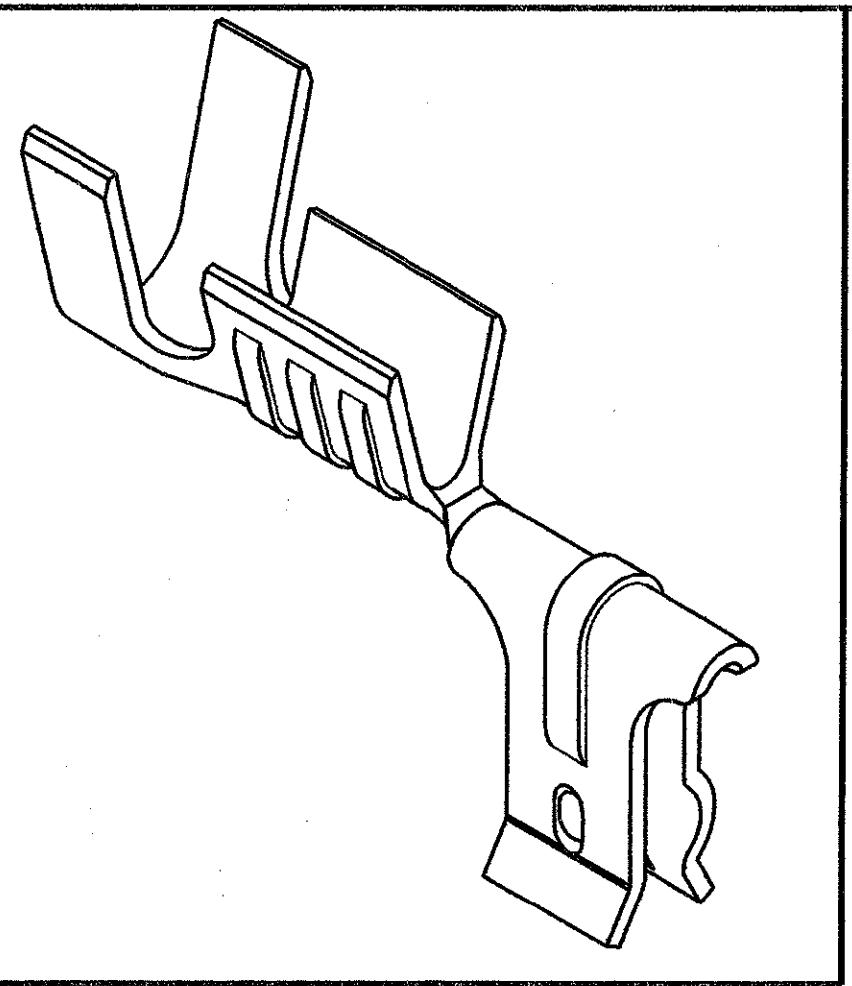


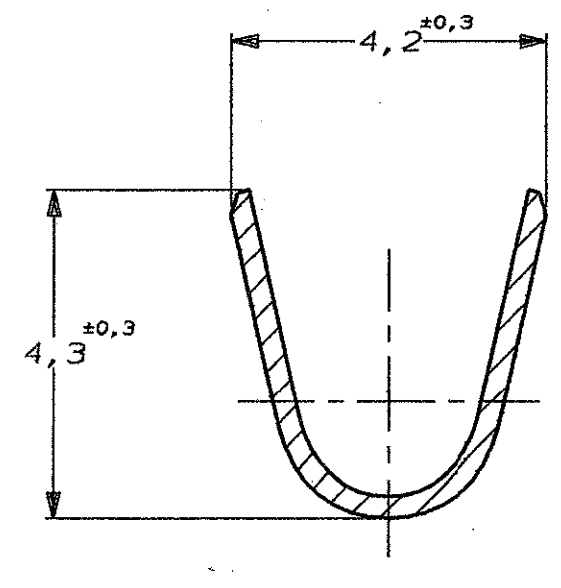
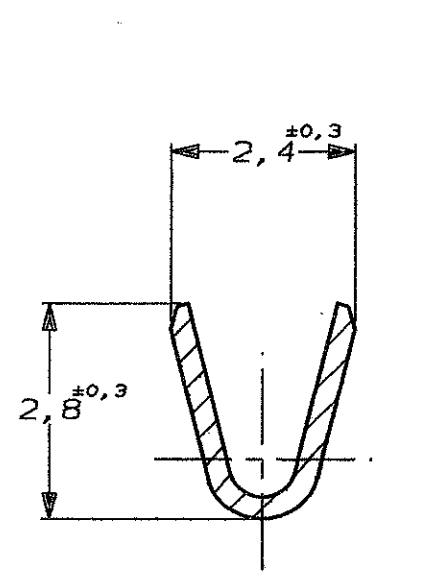
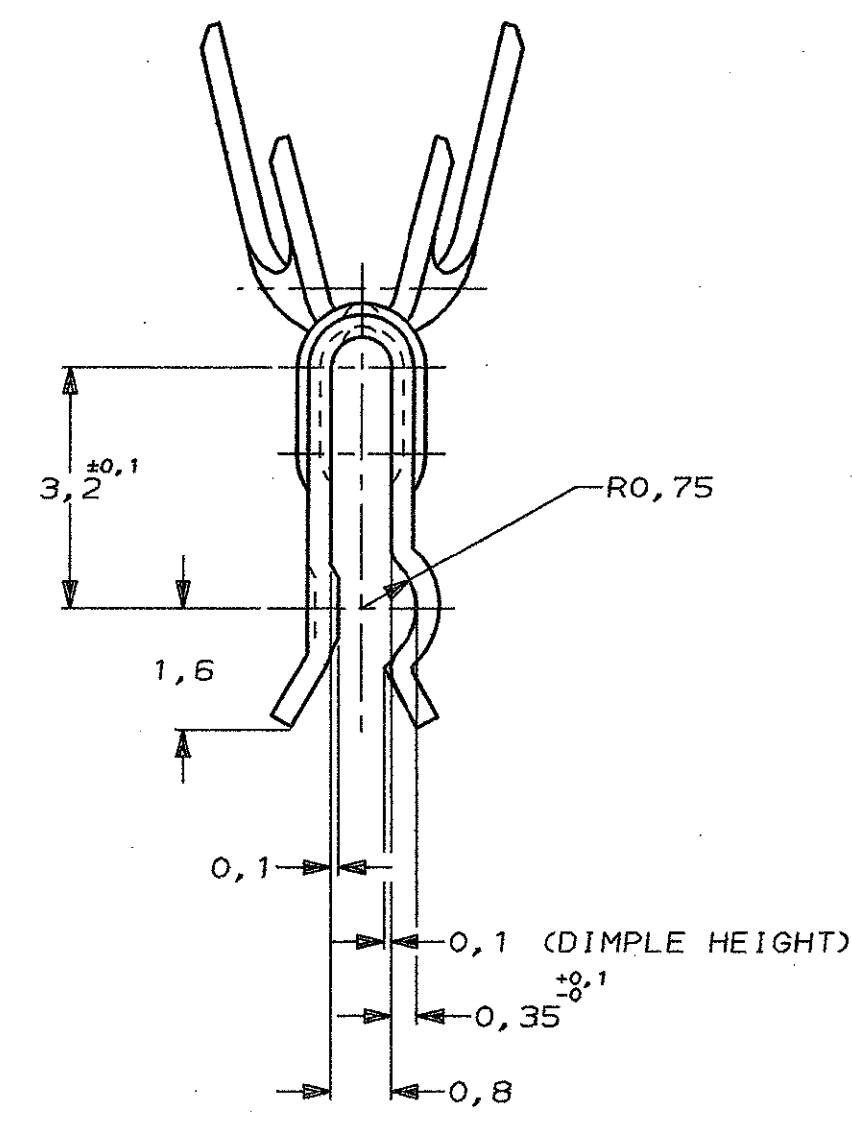
DO NOT SCALE
DIMENSIONS IN mm

METRIC

THIRD ANGLE
PROJECTION



NOTES:
△ DIMPLE.



SECTION A-A

SECTION B-B

WIRE RANGE :
0,5-0,8mm²
INSULATION RANGE :
2,3-3,3mm DIA.

		PLAIN	NEW SILVER	188223-1
		FINISH	MATERIAL	PARTNUMBER
-	-	-	-	-
CUSTOMER DRAWING FOR REFERENCE ONLY WILL NOT BE UPDATED				
© COPYRIGHT 19- BY AMP HOLLAND B.V. ALL INTERNATIONAL RIGHTS RESERVED. AMP PRODUCTS MAY BE COVERED BY U.S. AND FOREIGN AND/OR PATENTS PENDING.				
THIS DRAWING IS UNPUBLISHED RELEASED FOR PUBLICATION				
		AMP HOLLAND B.V. 's-Hertogenbosch, The Netherlands.		
		NAME		
A	EH-0321-94	DK	HS	10-09-94
LTR.	REVISION RECORD	DR.	CHK.	DATE
DR.:	D.KESSLER	CHK.:	H.v.d.STEEN	APP.:
DATE:	10-09-94	DATE:	-	DATE:
		LAMPCONTACT		DWG. No.
				C-188223
		REV. LTR.	SHEET	
		A	1 OF 1	A2

Mouser Electronics

Authorized Distributor

Click to View Pricing, Inventory, Delivery & Lifecycle Information:

[TE Connectivity:](#)

[188223-1](#)