

PART NUMBER	REV	FIRST USED	POWER UNIT	FEED TYPE	DESCRIPTION
1855273-1	A	122500-1	LEADMAKER	AIR FEED	CUTS CARRIER
1855273-2	A	565435-5	BENCH MODEL K	AIR FEED	CUTS CARRIER
1855273-3	A	354500-1	BENCH MODEL G	AIR FEED	CUTS CARRIER
1855273-6	A	122500-1	LEADMAKER	AIR FEED	CONTINUOUS CARRIER
7-1855273-7	A	-	-	-	SPARE PARTS

- RECOMMENDED SPARE PARTS
- GREASE LIGHTLY
- GUARD MUST BE IN PLACE WHEN OPERATING APPLICATOR IN A BENCH MACHINE
- 16 AWG NOT RECOMMENDED BY PACKARD FOR THIS TERMINAL.
- CUT TO LENGTH AT ASSEMBLY.
- THIS APPLICATOR CRIMPS EVERY THIRD TERM.

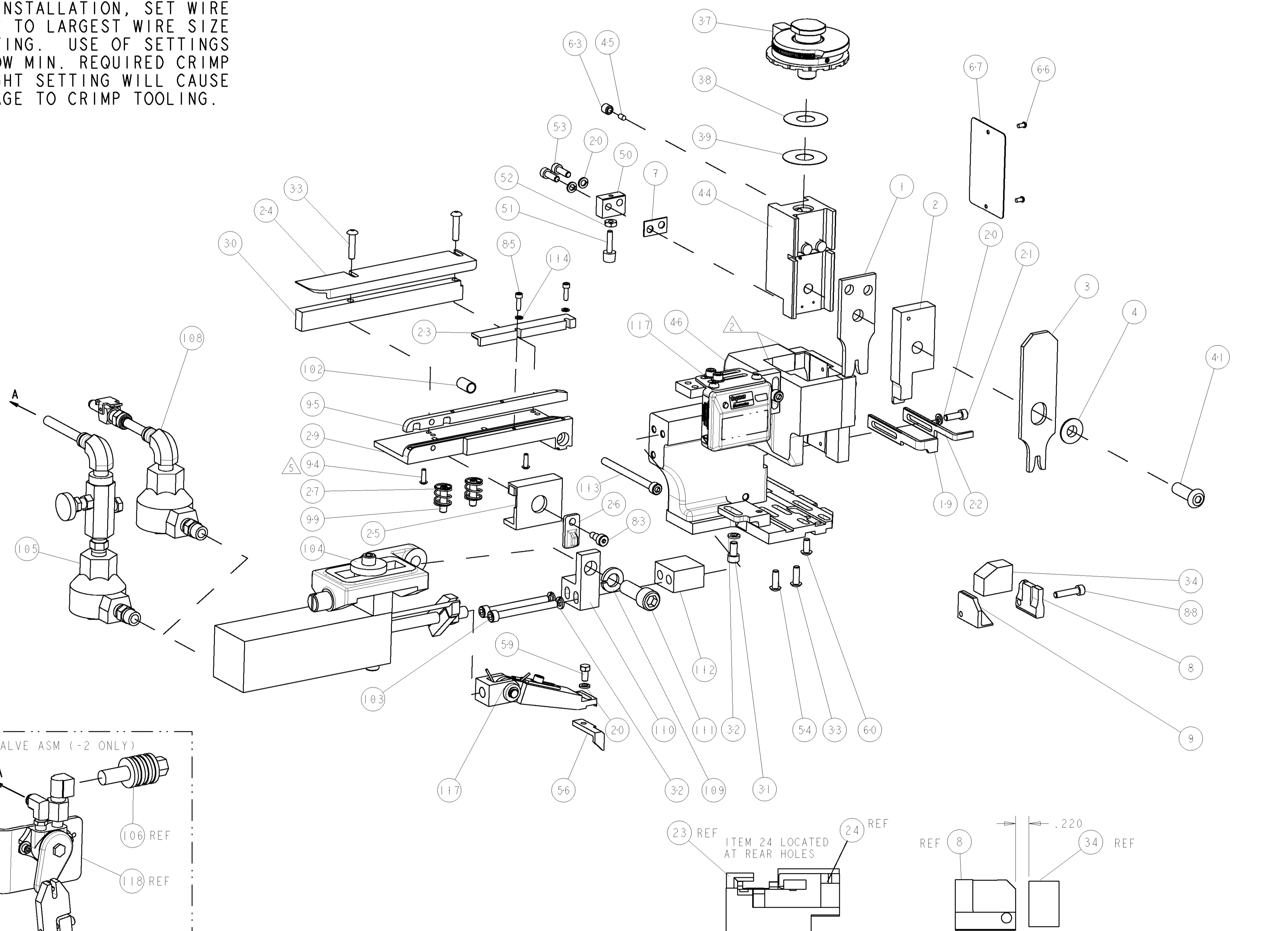
**\* WARNING**  
ON INSTALLATION, SET WIRE DISC TO LARGEST WIRE SIZE SETTING. USE OF SETTINGS BELOW MIN. REQUIRED CRIMP HEIGHT SETTING WILL CAUSE DAMAGE TO CRIMP TOOLING.

AMP-O-LECTRIC TERM GUARD

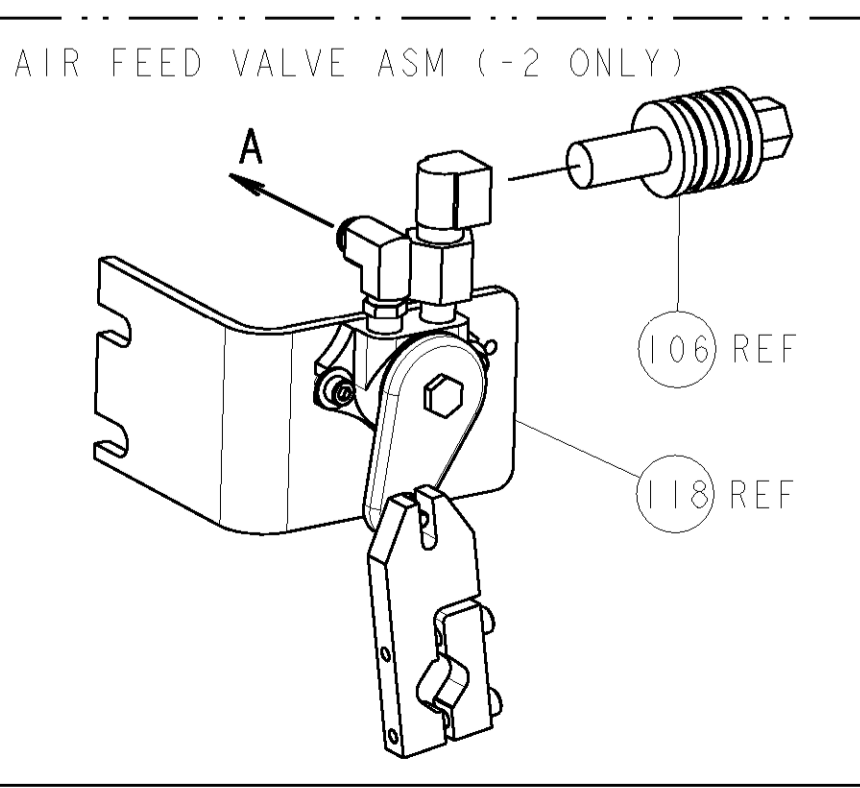
G TERMINATOR GUARD

TERMINAL NAME: TAXI TERM F M/P 280				
AMP	PACKARD	PACKARD TERMINAL - AMP CRIMP SPECS		
1949274-1	12110645			REF SETTING
-	-	CRIMP HEIGHT	WIRE SIZE	C5
-	-	.062±.002 [1.57±0.05mm]	16AWG	D0
-	-	.059±.002 [1.50±0.05mm]	1mm2	D6
-	-	.056±.002 [1.42±0.05mm]	18AWG or 0.8mm2	-
-	-	-	-	-
CRIMP	SIZE	TYPE	RANGE	
-	WIRE	.100 [2.54mm]	F	18-16 AWG
-	INSUL	.155 [3.94mm]	F	∅.077-.104
WIRE STRIP LENGTH	TERM APPL SPEC	FEED	APPLICATOR INSTRUCTIONS	SET UP GAGE
.219 -.250	NONE	1.920	408-8040	458637-1

LOC	DIST	REV	DESCRIPTION	DATE	DWN	APPD
A	66	-	RELEASED	10MAR2007	BH	BH



REV	QUANTITY	DESCRIPTION	ITEM NO					
-	-	REF - -	692655-6 AIR FEED VALVE ASSEMBLY	118				
-	1	1	461062-1 FEED FINGER ASSEMBLY	117				
-	-	REF - ..	455749-1 GUARD WINDOW	116				
-	-	REF - -	679532-1 INSERT, GUARD	115				
-	2	2	21024-2 WASHER, SPRG LOCK, REG NO 4	114				
-	1	1	8-21000-7 SCR, SKT HD CAP 10-32 X 2.500	113				
-	1	1	461690-1 SPACER, AIR FEED	112				
-	1	1	3-21001-5 SCR, SKT HD CAP 3/8-16 X 1.000	111				
-	1	1	459610-1 MOUNT, FEED BRACKET	110				
-	1	1	21024-8 WASHER, SPRG LOCK, REG 3/8	109				
-	1	1	692655-7 AIR FEED VALVE ASSEMBLY	108				
-	-	REF - -	24024-2 VALVE, SHUT OFF	106				
-	-	-	692655-5 AIR FEED VALVE ASSEMBLY	105				
-	1	1	461065-2 ASSEMBLY, AIR FEED	104				
-	2	2	4-21000-3 SCR, SKT HD CAP 10-32 X 2.000	103				
-	1	1	1-22281-8 SPRING, COMPRESSION	102				
-	2	2	5-21006-6 SCR, SET, CUP POINT 10-32 X .750	99				
-	1	1	1-189807-1 FENCE	95				
-	2	2	1-21002-4 SCR, BTN SKT HD CAP 4-40 X .375	94				
-	1	1	2-21000-9 SCR, SKT HD CAP 8-32 X .750	88				
-	2	2	1-21000-4 SCR, SKT HD CAP 4-40 X .375	85				
-	1	1	21989-8 SCR, SKT HD SHLDR 3/16 DIA X .250	83				
-	1	1	4088040 SF APPL INST 408-8040	72				
-	1	1	217238-1 GENERAL INSTRUCTION PKG	71				
-	1	1	461264-5 PLATE, IDENTIFICATION	67				
-	2	2	21017-2 SCREW, DRIVE	66				
-	1	1	21009-2 SCR, SET, SELF LOCKING 1/4-20 X .250	63				
-	1	1	22733-8 SCR, BHSC, SELF-LOCKING, 8-32 X .375	60				
-	1	1	2-22603-0 SCR, HEX HD CAP 8-32 X .312	59				
-	1	1	2-694433-3 FEED PAWL	56				
-	2	2	2-21002-2 SCR, BTN SKT HD CAP 8-32 X .500	54				
-	2	2	2-21000-7 SCR, SKT HD CAP 8-32 X .500	53				
-	1	1	21018-5 NUT, HEX, REG 6-32	52				
-	1	1	811242-2 BUMPER, HOLD DOWN	51				
-	1	1	690753-1 SPACER, TONKER	50				
-	1	1	1633399-1 APPL., BASIC AIR FEED SUB ASSY	46				
-	1	1	690191-1 PLUG, NYLON	45				
-	1	1	2-819307-4 RAM, SIDE FEED	44				
-	1	1	690686-2 CRIMPER, BOLT SPECIAL	41				
-	1	1	690125-1 SHIM SUB-ASSY	39				
-	1	1	469367-1 SHIM	38				
-	1	1	879103-2 FINE ADJUST HEAD ASSEMBLY	37				
-	1	1	3-690786-3 TERMINAL SUPPORT	34				
-	2	2	2-21002-4 SCR, BTN SKT HD CAP 8-32 X .750	33				
-	3	3	21024-5 WASHER, SPRG LOCK, REG NO 10	32				
-	1	1	3-21000-4 SCR, SKT HD CAP 10-32 X .375	31				
-	1	1	2-1320908-0 SPACER, STRIP GUIDE	30				
-	1	1	1-1633087-5 PLATE, STRIP GUIDE	29				
-	2	2	22284-1 SPRING, COMPRESSION	27				
-	1	1	356835-1 LEVER, DRAG RELEASE	26				
-	1	1	690754-7 DRAG, SPECIAL	25				
-	1	1	1-1320928-2 PLATE, STRIP GUIDE	24				
-	1	1	2-690712-2 FRONT STRIP GUIDE	23				
-	1	1	690472-2 STRIPPER	22				
-	1	1	2-21000-7 SCR, SKT HD CAP 8-32 X .500	21				
-	4	4	21024-4 WASHER, SPRG LOCK, REG NO 8	20				
-	-	-	691353-1 STRIPPER	19				
-	1	1	3-853714-5 PLATE, REAR SHEAR	9				
-	1	1	1214596-5 ANVIL, SPECIAL COMBINATION	8				
-	1	1	1-240641-9 SPACER	7				
-	1	1	238009-1 BLOCK, FL CRIMPER SPACER	4				
-	1	1	3-456134-6 CRIMPER, INSULATION F PREMIUM	3				
-	1	1	853720-5 BLADE, SLUG	2				
-	1	1	2-456407-8 CRIMPER, WIRE PREMIUM	1				
REV	QUANTITY	DESCRIPTION	ITEM NO					
-77	-6	-3	-2	-1	U/M	PART NO	DESCRIPTION	ITEM NO



DIMENSIONS:	TOLERANCES UNLESS OTHERWISE SPECIFIED:	DRAWN:	CHECKED:	APPROVED:	DATE:	SCALE:	REV	
INCHES	0 PLC ±.010	B. HIGMAN	B. HIGMAN	B. HIGMAN	06MAR2007	A	A	
	1 PLC ±.010							
	2 PLC ±.010							
	3 PLC ±.010							
	4 PLC ±.010							
	ANGLES ±.0001							
MATERIAL:	FINISH:	PRODUCT SPEC:	APPLICATION SPEC:	WEIGHT:	SIZE	CAGE CODE	DRAWING NO	RESTRICTED TO
-	-	-	-	-	A	00779	1855273	-
CUSTOMER DRAWING				SCALE: 3:5		SHEET 1 OF 1		REV A

CUSTOMER VIEWABLE ASSEMBLY

# Mouser Electronics

Authorized Distributor

Click to View Pricing, Inventory, Delivery & Lifecycle Information:

[TE Connectivity:](#)

[1855273-2](#)