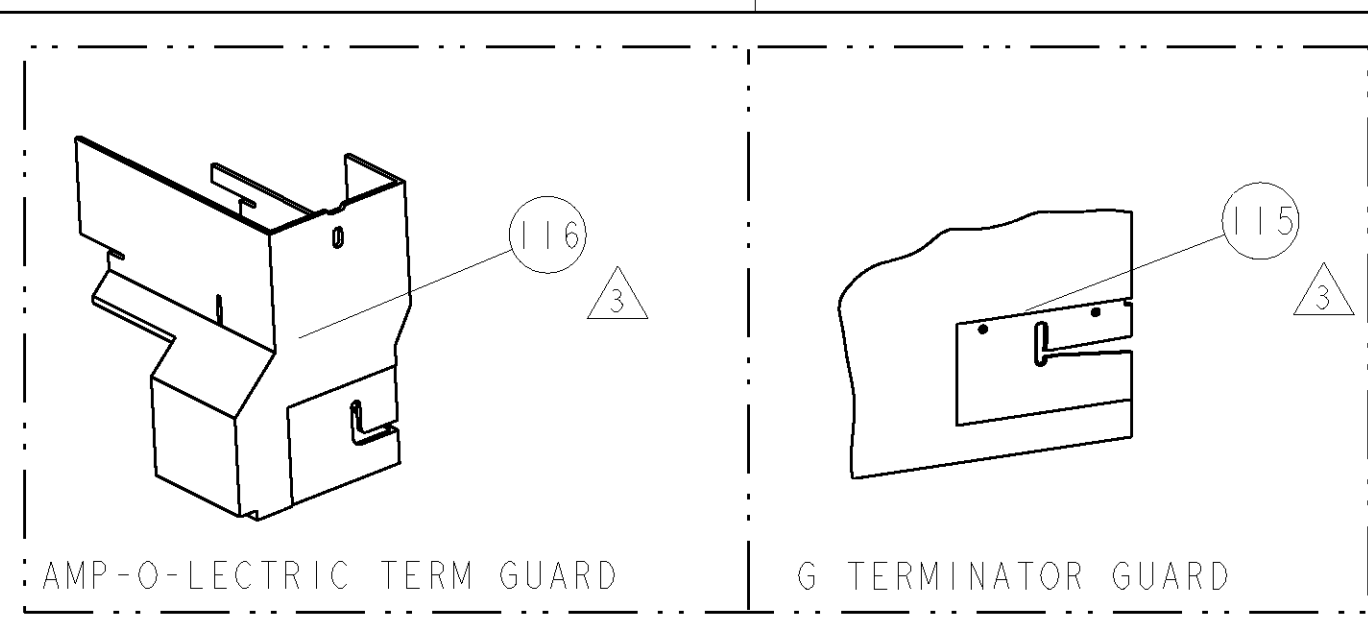


PART NUMBER	REV	FIRST USED	POWER UNIT	FEED TYPE	DESCRIPTION
1855200-1	A	122500-1	LEADMAKER	POST FEED	CUTS CARRIER
1855200-2	A	565435-5	BENCH MODEL K	PRE FEED	CUTS CARRIER
1855200-3	A	354500-1	BENCH MODEL G	PRE FEED	CUTS CARRIER
1855200-6	A	122500-1	LEADMAKER	POST FEED	CONTINUOUS CARRIER
7-1855200-7	A	-	-	-	SPARE PARTS

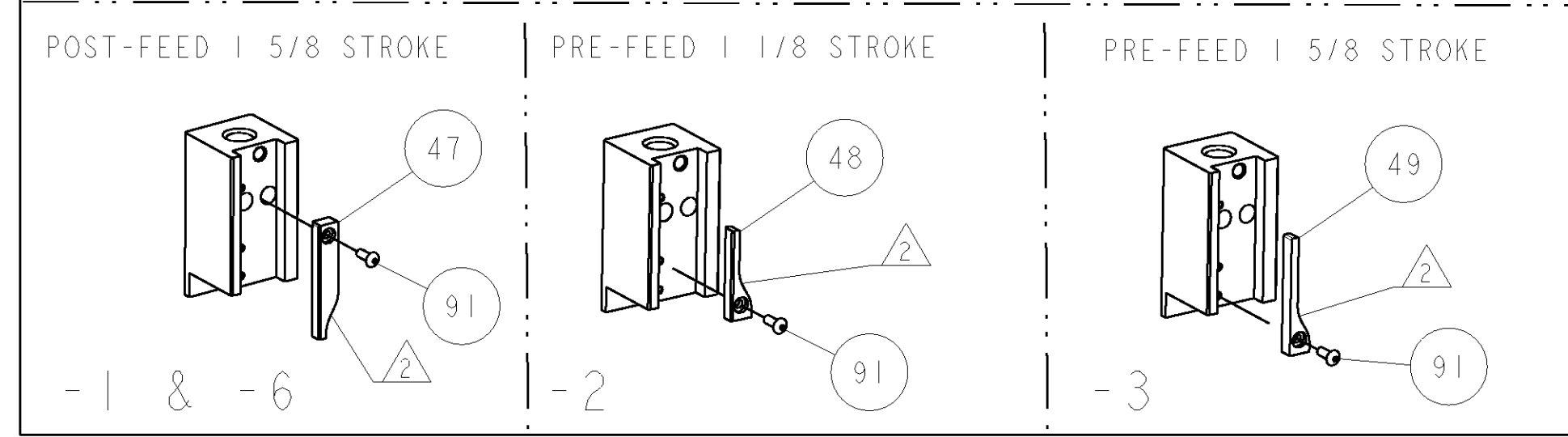
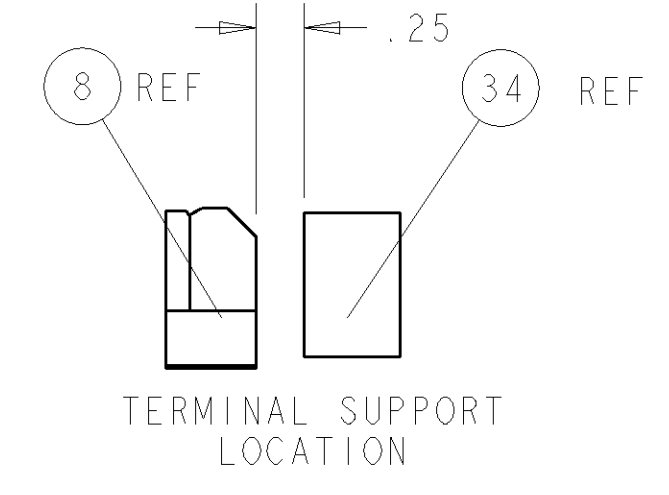
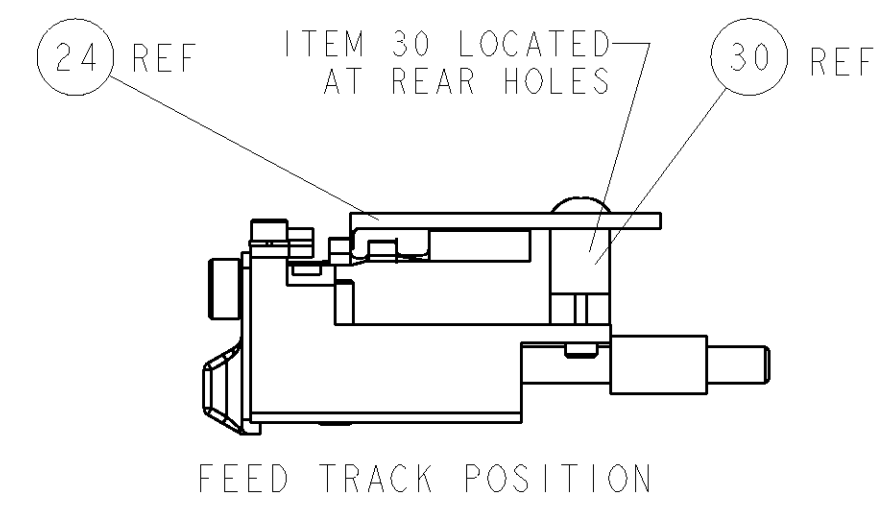
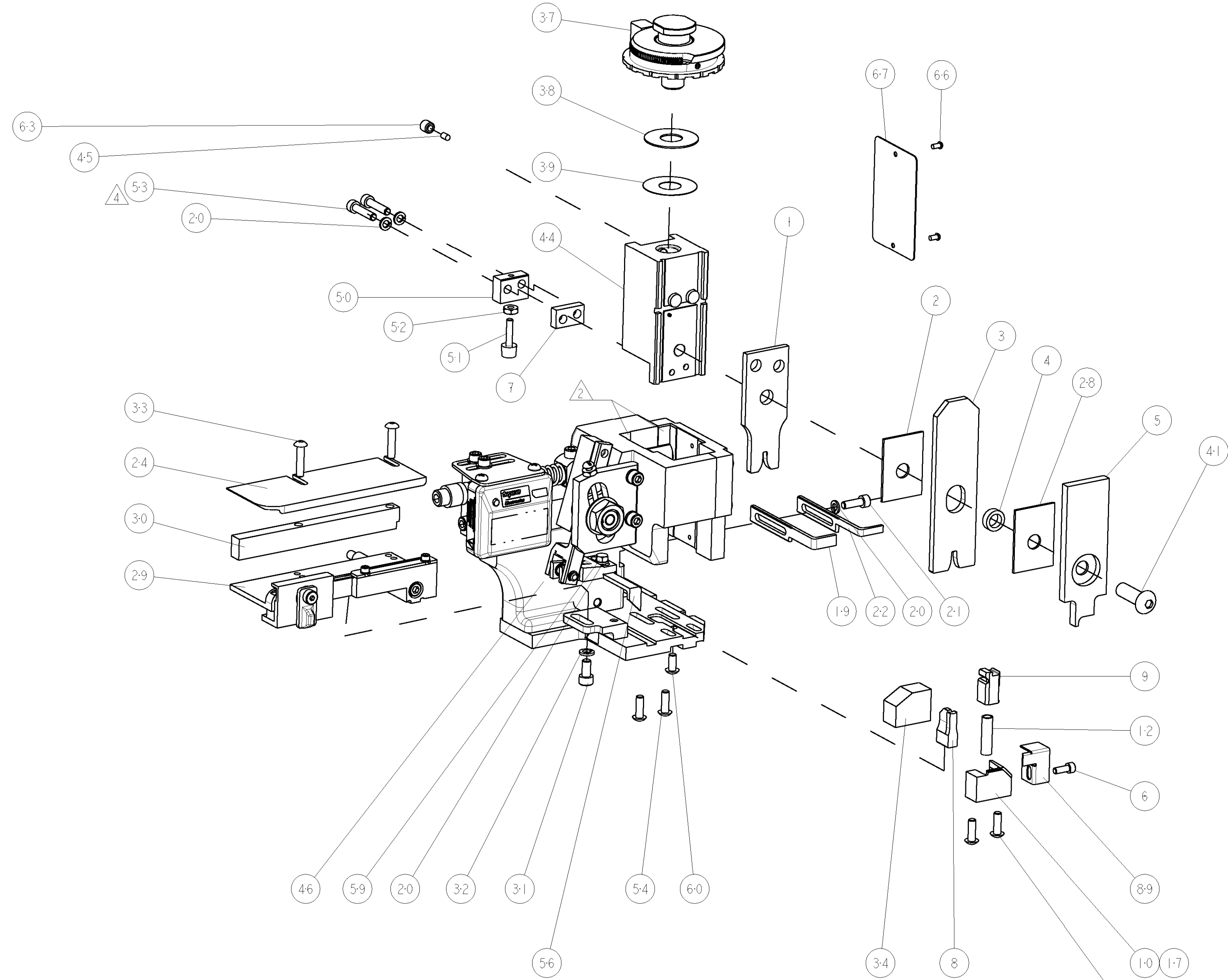


TERMINAL NAME: FEMALE TERMINAL, PACK-CON III			
TYCO	MFR	DELPHI TERMINAL - AMP CRIMP SPECS	
286748	12020334		
-	-	CRIMP HEIGHT	WIRE SIZE
-	-	1.35±0.05mm [.053±.002]	18AWG
-	-	1.24±0.05mm [.049±.002]	20AWG
-	-	-	-
-	-	CRIMP	SIZE TYPE RANGE
-	-	WIRE	2.54mm [.100] F 18-20 AWG
-	-	INSUL	3.56mm [.140] F Ø2.05-3.10mm
WIRE STRIP LENGTH	TERM APPL SPEC	FEED	APPLICATOR INSTRUCTIONS
5.6mm	NONE	15mm	408-8040
			SET UP GAGE 458637-1

LOC	DIST	REV	DESCRIPTION	DATE	BY	APPD
A	66	A	RELEASED	05MAR2007	ROW	GB

- △ RECOMMENDED SPARE PARTS
- △ GREASE LIGHTLY
- △ GUARD MUST BE IN PLACE WHEN OPERATING APPLICATOR IN A BENCH MACHINE
- △ CUT TO LENGTH AT ASSEMBLY

*** WARNING**
ON INSTALLATION, SET WIRE DISC TO LARGEST WIRE SIZE SETTING. USE OF SETTINGS BELOW MIN. REQUIRED CRIMP HEIGHT SETTING WILL CAUSE DAMAGE TO CRIMP TOOLING.



QTY	REF	DESCRIPTION	ITEM NO
-	-	455749-1 GUARD WINDOW	116
-	-	679532-1 INSERT, GUARD	115
-	1	1-21002-7 SCR, BTN SKT HD CAP 6-32 X .375	91
-	1	318563-1 GUARD, FRONT CHIP	89
-	1	4088040 SF APPL INST 408-8040	72
-	1	217238-1 GENERAL INSTRUCTION PKG	71
-	1	461264-5 PLATE, IDENTIFICATION	67
-	2	21017-2 SCREW, DRIVE	66
-	1	21009-2 SCR, SET, SELF LOCKING 1/4-20 X .250	63
-	1	22733-8 SCR, BHSC, SELF-LOCKING, 8-32 X .375	60
-	1	2-22603-0 SCR, HEX HD CAP 8-32 X .312	59
-	1	458537-2 PAWL, FEED	56
-	4	2-21002-2 SCR, BTN SKT HD CAP 8-32 X .500	54
-	2	2-21000-9 SCR, SKT HD CAP 8-32 X .750	53
-	1	21018-5 NUT, HEX, REG 6-32	52
-	1	811242-2 BUMPER, HOLD DOWN	51
-	1	690753-1 SPACER, TONKER	50
-	-	690602-6 CAM, PRE FEED, 1 5/8	49
-	-	690602-5 CAM, PRE FEED, 1 1/8	48
-	-	690501-4 CAM, POST FEED, 1 5/8	47
-	1	459456-1 APPL. BASIC SUB ASSY (SIDE WISE MOCA)	46
-	1	690191-1 PLUG, NYLON	45
-	1	819307-1 RAM, SIDE FEED	44
-	1	7-21002-9 SCR, BTN SKT HD CAP 5/16-24 X 1.00	41
-	1	690125-1 SHIM SUB-ASSY	39
-	1	469367-8 SHIM	38
-	1	879103-2 FINE ADJUST HEAD ASSEMBLY	37
-	1	690786-6 TERMINAL SUPPORT	34
-	2	2-21002-4 SCR, BTN SKT HD CAP 8-32 X .750	33
-	1	21024-5 WASHER, SPRG LOCK, REG NO 10	32
-	1	3-21000-4 SCR, SKT HD CAP 10-32 X .375	31
-	1	1320908-1 SPACER, STRIP GUIDE	30
-	1	1633091-1 ASSEMBLY, STRIP GUIDE	29
-	1	1-455888-0 SPACER, CRIMPER	28
-	1	1320928-3 PLATE, STRIP GUIDE	24
-	1	690472-2 STRIPPER	22
-	1	2-21000-7 SCR, SKT HD CAP 8-32 X .500	21
-	4	21024-4 WASHER, SPRG LOCK, REG NO 8	20
-	-	690472-1 STRIPPER	19
-	1	679625-1 SHEAR HOLDER, FRONT (NO CUT)	17
-	1	3-22280-3 SPRING, COMPRESSION	12
-	-	690459-1 SHEAR HOLDER, FRONT	10
-	1	454276-1 FLOATING SHEAR, FRONT	9
-	1	1-662188-2 ANVIL, COMBINATION .100	8
-	1	2-240641-9 SPACER	7
-	1	1-21000-9 SCR, SKT HD CAP 6-32 X .375	6
-	1	1-455889-4 DEPRESSOR, SHEAR	5
-	1	238011-1 BLOCK, CRIMPER SPACER	4
-	1	1-456134-7 CRIMPER, INSULATION F PREMIUM	3
-	1	1-455888-1 SPACER, CRIMPER	2
-	1	456407-6 CRIMPER, WIRE PREMIUM	1

QTY	REF	DESCRIPTION	ITEM NO					
-77	-6	-3	-2	-1	U/M	PART NO	DESCRIPTION	ITEM NO

tyco Tyco Electronics
 Harrisburg, PA 17105-3608
Electronics
 FINE ADJUST SIDE FEED
 HDM APPLICATOR
 DIMENSIONS: INCHES
 TOLERANCES UNLESS OTHERWISE SPECIFIED:
 0 PLC ±.001
 1 PLC ±.001
 2 PLC ±.001
 3 PLC ±.001
 4 PLC ±.001
 ANGLES ±.0001
 FINISH: -
 MATERIAL: -
 WEIGHT: -
 CUSTOMER DRAWING: -
 SCALE: 3:5
 SHEET: 1 OF 1
 REV: A

CUSTOMER VIEWABLE ASSEMBLY

Mouser Electronics

Authorized Distributor

Click to View Pricing, Inventory, Delivery & Lifecycle Information:

[TE Connectivity:](#)

[1855200-2](#)