

PART NUMBER	REV	FIRST USED	POWER UNIT	FEED TYPE	DESCRIPTION
1855132-1	A	122500-1	LEADMAKER	AIR FEED	CUTS CARRIER
1855132-2	A	565435-5	BENCH MODEL K	AIR FEED	CUTS CARRIER
1855132-3	A	354500-1	BENCH MODEL G	AIR FEED	CUTS CARRIER
1855132-6	A	122500-1	LEADMAKER	AIR FEED	CONTINUOUS CARRIER
7-1855132-7	A	-	-	-	SPARE PARTS

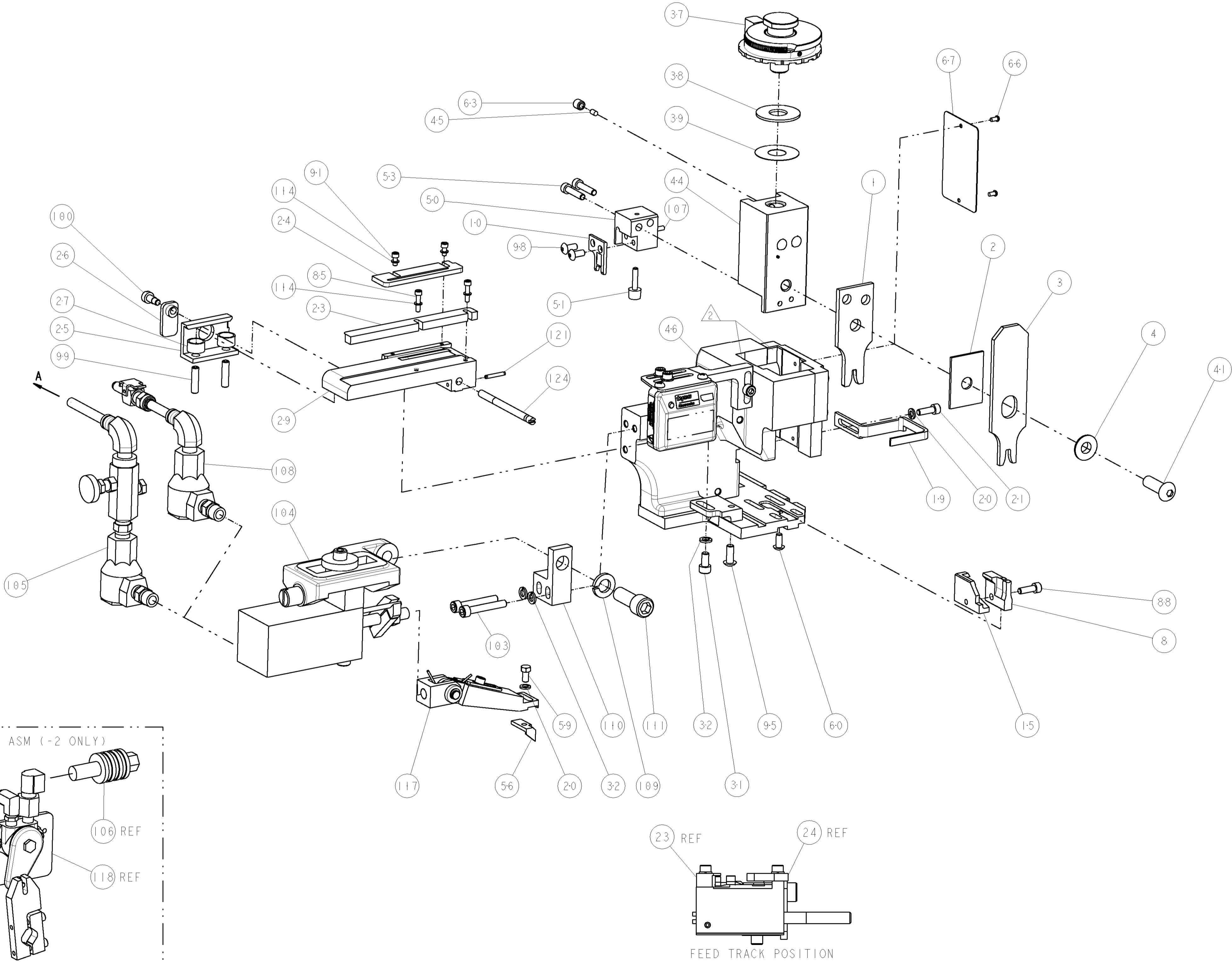


TERMINAL NAME: MEDIUM RING TERMINAL					
TYCO PN	MANUF PN	PACKARD TERM - PACKARD CRIMP SPECS		REF SETTING	
1949175-1	12103515				
1949175-2	12103514	CRIMP HEIGHT		WIRE SIZE	
1949175-3	12103516	1.85±0.05mm [.073±.002]		1mm2	
-	-	1.75±0.05mm [.069±.002]		0.8mm2	
-	-				
-	-	CRIMP	SIZE	TYPE	RANGE
-	-	WIRE	3.18mm [.125]	F	0.80-1.00 mm2
-	-	INSUL	3.94mm [.155]	F	∅2.7 mm MAX
WIRE STRIP LENGTH	TERM APPL SPEC	FEED	APPLICATOR INSTRUCTIONS		SET UP GAGE
4.90-5.28mm	NONE	13.89mm	408-8040		458637-1

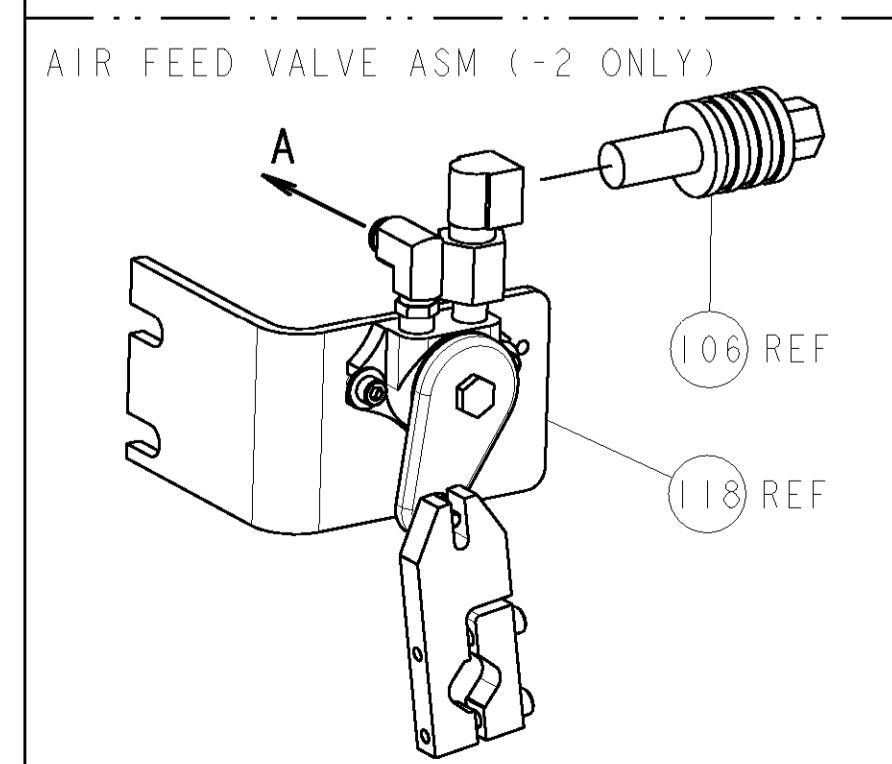
LOC	DIST	P	LTR	DESCRIPTION	DATE	BY	APPD
A	66			RELEASED	15NOV2006	MEH	GB

- △ RECOMMENDED SPARE PARTS
- △ GREASE LIGHTLY
- △ GUARD MUST BE IN PLACE WHEN OPERATING APPLICATOR IN A BENCH MACHINE

*** WARNING**
ON INSTALLATION, SET WIRE DISC TO LARGEST WIRE SIZE SETTING. USE OF SETTINGS BELOW MIN. REQUIRED CRIMP HEIGHT SETTING WILL CAUSE DAMAGE TO CRIMP TOOLING.



-	1	1	1	1	-	690432-3	ADJUSTMENT SCREW	124
-	1	1	1	1	-	3-21028-8	PIN, SLOTTED SPRING .094 X .625	121
-	-	-	REF	-	-	692655-6	AIR FEED VALVE ASSEMBLY	118
-	1	1	1	1	-	461062-1	FEED FINGER ASSEMBLY	117
-	-	-	REF	-	-	455749-1	GUARD WINDOW	116
-	-	-	REF	-	-	679532-1	INSERT, GUARD	115
-	4	4	4	4	-	21024-2	WASHER, SPRG LOCK, REG NO 4	114
-	1	1	1	1	-	3-21001-5	SCR, SKT HD CAP 3/8-16 X 1.000	111
-	1	1	1	1	-	459610-1	MOUNT, FEED BRACKET	110
-	1	1	1	1	-	21024-8	WASHER, SPRG LOCK, REG 3/8	109
-	1	1	-	1	-	692655-7	AIR FEED VALVE ASSEMBLY	108
-	1	1	1	1	-	2-21006-1	SCR, SET, CUP POINT 4-40 X .250	107
-	-	-	REF	-	-	24024-2	VALVE, SHUT OFF	106
-	-	-	1	-	-	692655-5	AIR FEED VALVE ASSEMBLY	105
-	1	1	1	1	-	461065-1	ASSEMBLY, AIR FEED	104
-	2	2	2	2	-	4-21000-0	SCR, SKT HD CAP 10-32 X 1.250	103
-	1	1	1	1	-	22353-8	SCR, SHLD, SLOT HD, 3/16 DIA	100
-	2	2	2	2	-	5-21006-6	SCR, SET, CUP POINT 10-32 X .750	99
-	2	2	2	2	-	2-21002-1	SCR, BTN SKT HD CAP 8-32 X .375	98
-	1	1	1	1	-	2-21002-7	SCR, BTN SKT HD CAP 10-32 X .500	95
-	2	2	2	2	-	1-21000-3	SCR, SKT HD CAP 4-40 X .250	91
-	1	1	1	1	-	2-21000-7	SCR, SKT HD CAP 8-32 X .500	88
-	2	2	2	2	-	1-21000-5	SCR, SKT HD CAP 4-40 X .500	85
-	1	1	1	1	-	4088040	SF APPL INST 408-8040	72
-	1	1	1	1	-	217238-1	GENERAL INSTRUCTION PKG	71
-	1	1	1	1	-	461264-5	PLATE, IDENTIFICATION	67
-	2	2	2	2	-	21017-2	SCREW, DRIVE	66
-	1	1	1	1	-	21009-2	SCR, SET, SELF LOCKING 1/4-20 X .250	63
-	1	1	1	1	-	22733-8	SCR, BHSC, SELF-LOCKING, 8-32 X .375	60
-	1	1	1	1	-	2-22603-0	SCR, HEX HD CAP 8-32 X .312	59
-	1	1	1	1	-	3-694433-9	FEED PAWL	56
-	2	2	2	2	-	2-21000-9	SCR, SKT HD CAP 8-32 X .750	53
-	1	1	1	1	-	811242-2	BUMPER, HOLD DOWN	51
-	1	1	1	1	-	1633508-1	HOLDER, SLUG BLADE	50
-	1	1	1	1	-	1633399-1	APPL., BASIC AIR FEED SUB ASSY	46
-	1	1	1	1	-	690191-1	PLUG, NYLON	45
-	1	1	1	1	-	1-455673-4	RAM, SIDE FEED	44
-	1	1	1	1	-	7-21002-9	SCR, BTN SKT HD CAP 5/16-24 X 1.00	41
-	1	1	1	1	-	690125-1	SHIM SUB-ASSY	39
-	1	1	1	1	-	1-469367-4	SHIM	38
-	1	1	1	1	-	879103-2	FINE ADJUST HEAD ASSEMBLY	37
-	3	3	3	3	-	21024-5	WASHER, SPRG LOCK, REG NO 10	32
-	1	1	1	1	-	3-21000-4	SCR, SKT HD CAP 10-32 X .375	31
-	1	1	1	1	-	2-844048-6	PLATE, REAR STRIP GUIDE	29
-	2	2	2	2	-	1-22284-0	SPRING, COMPRESSION	27
-	1	1	1	1	-	240793-1	LEVER, DRAG RELEASE	26
-	1	1	1	1	-	240792-1	DRAG, TERMINAL	25
-	1	1	1	1	-	1633497-2	REAR STRIP GUIDE	24
-	1	1	1	1	-	1-189124-8	GUIDE, FRONT STRIP	23
-	1	1	1	1	-	2-21000-7	SCR, SKT HD CAP 8-32 X .500	21
-	2	2	2	2	-	21024-4	WASHER, SPRG LOCK, REG NO 8	20
-	1	1	1	1	-	1-456468-1	STRIPPER, SPECIAL	19
-	1	1	1	1	-	1633124-6	PLATE, REAR SHEAR	15
-	-	-	1	1	-	1583859-3	BLADE, SLUG	10
△	1	1	1	1	-	1633507-1	ANVIL, SPECIAL, COMBINATION	8
△	1	1	1	1	-	238009-1	BLOCK, FL CRIMPER SPACER	4
△	1	1	1	1	-	3-456134-6	CRIMPER, INSULATION F PREMIUM	3
△	1	1	1	1	-	1-455888-4	SPACER, CRIMPER	2
△	1	1	1	1	-	3-568176-4	CRIMPER, WIRE	1



ITEM NO	QTY	U/M	PART NO	DESCRIPTION	ITEM NO
-77	-6	-3	-2	-1	U/M

DIMENSIONS: INCHES 	TOLERANCES UNLESS OTHERWISE SPECIFIED: 0 PLC ±.01 1 PLC ±.01 2 PLC ±.01 3 PLC ±.001 4 PLC ±.001 ANGLES ±.001	DWG: HERR 200CT2006 CHK: G. BAILEY 23OCT2006 APD: T. BENCHOFF 23OCT2006 PRODUCT SPEC: - APPLICATION SPEC: - MATERIAL: - FINISH: - WEIGHT: - CUSTOMER DRAWING: -	tyco Tyco Electronics Harrisburg, PA 17105-3608 NAME: FINE ADJUST SIDE FEED HDM APPLICATOR SIZE: A1 CAGE CODE: 00779 DRAWING NO: C=1855132 SCALE: 3:5 SHEET: 1 OF 1 REV: A
---------------------------	--------------------------------------------------------------------------------------------------------------------------------	-----------------------------------------------------------------------------------------------------------------------------------------------------------------------------------------	--------------------------------------------------------------------------------------------------------------------------------------------------------------------------------------------------------------

CUSTOMER VIEWABLE ASSEMBLY

Mouser Electronics

Authorized Distributor

Click to View Pricing, Inventory, Delivery & Lifecycle Information:

[TE Connectivity:](#)

[1855132-1](#)