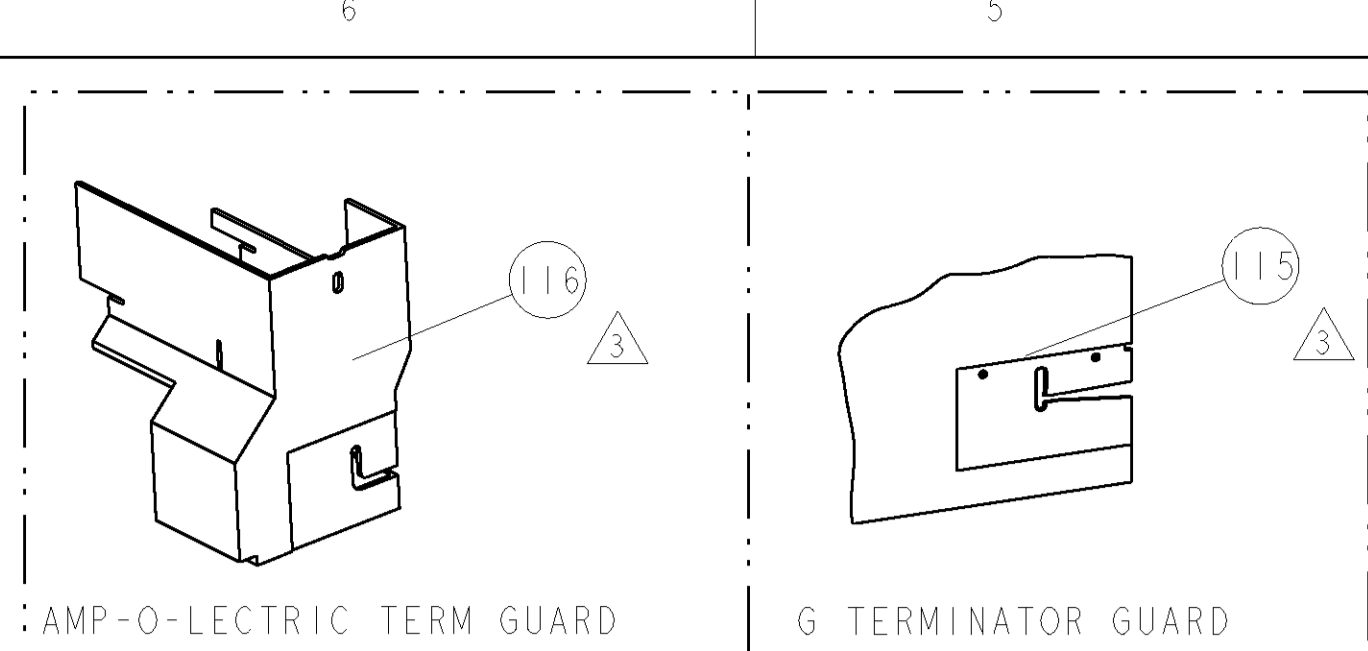
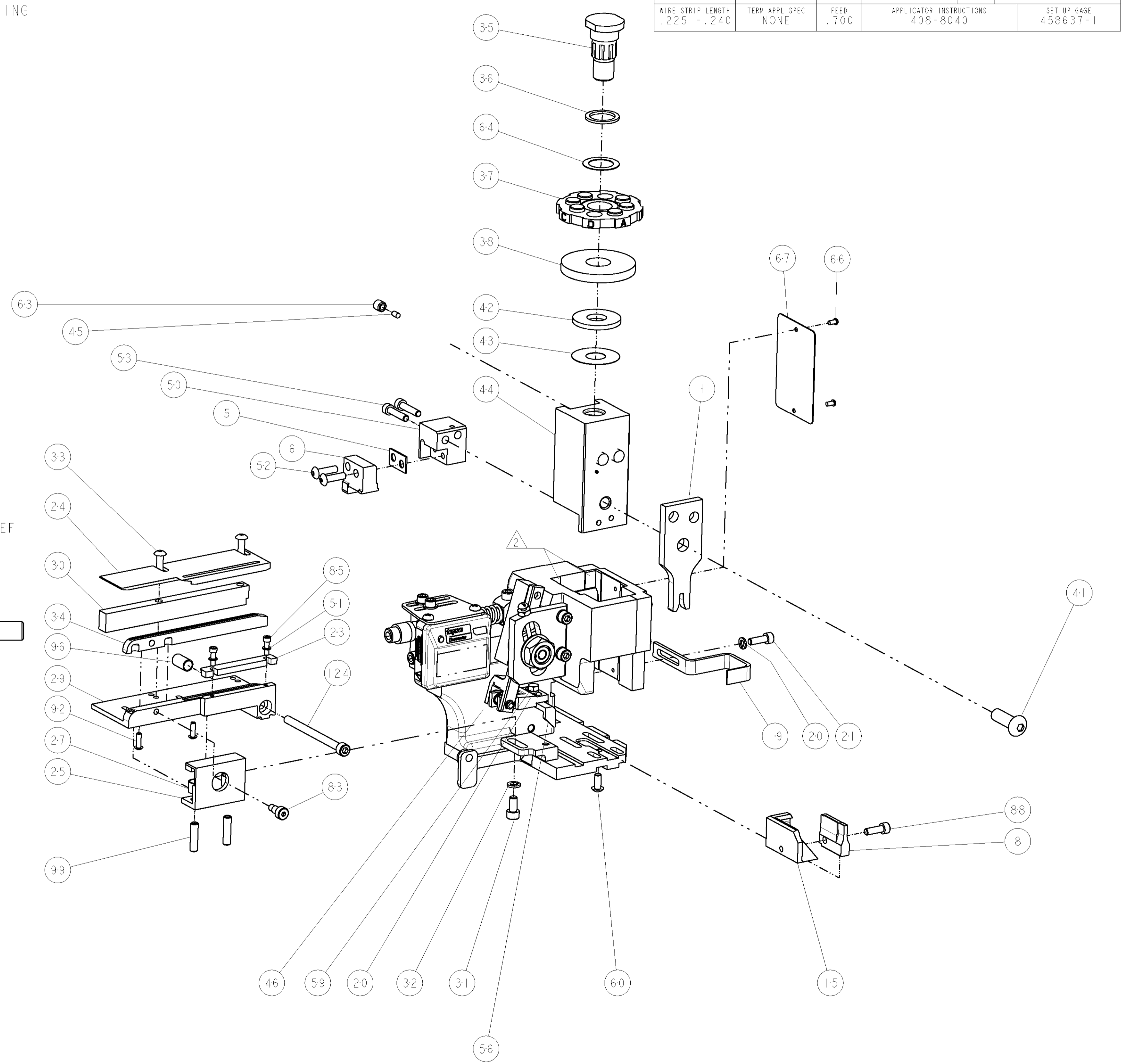
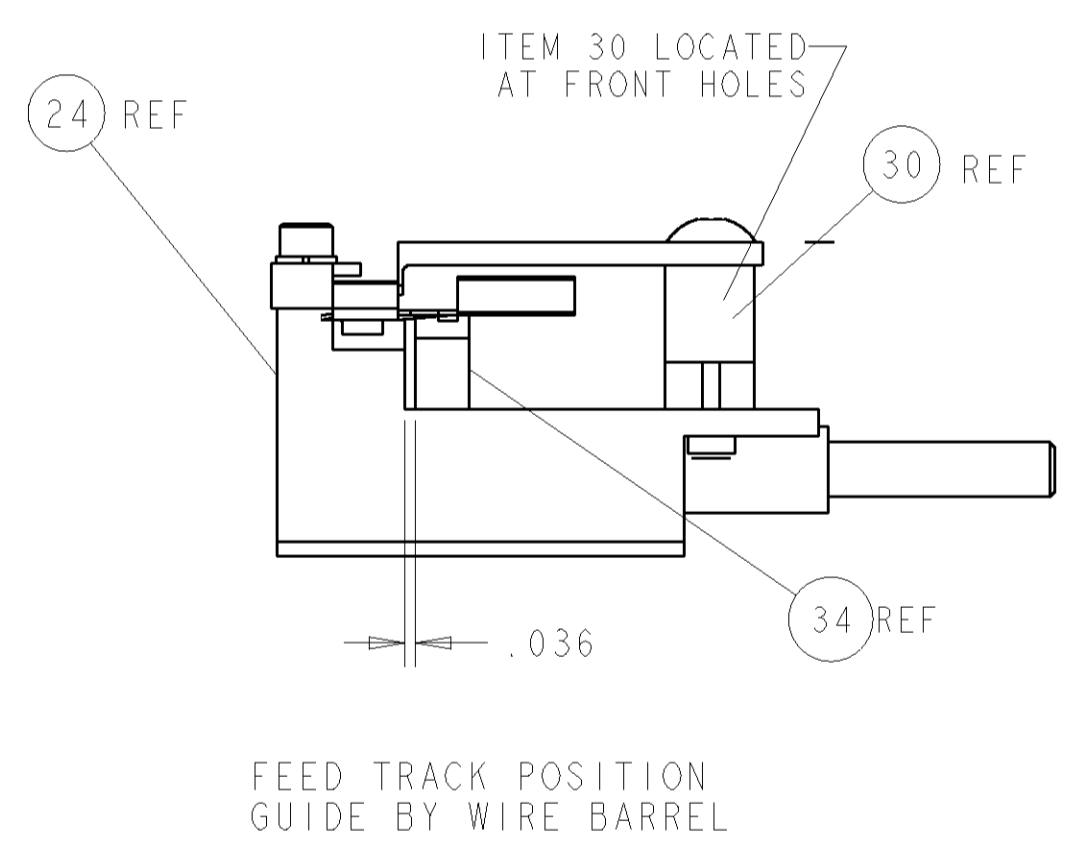
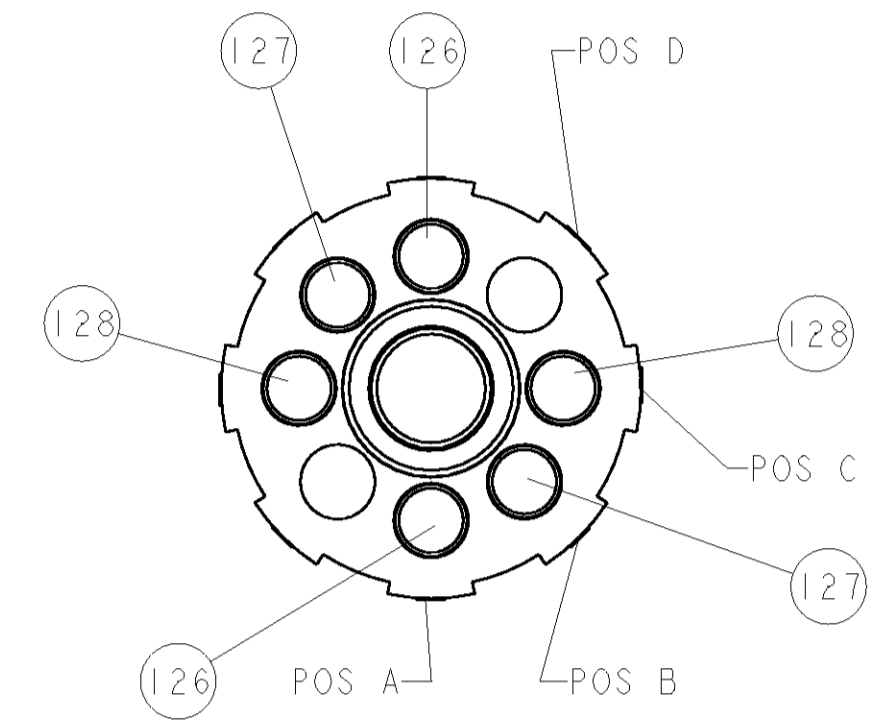


| PART NUMBER | REV | FIRST USED | POWER UNIT | FEED TYPE | DESCRIPTION |
|-------------|-----|------------|---------------|-----------|--------------|
| 1852508-1 | A | 122500-1 | LEADMAKER | POST FEED | CUTS CARRIER |
| 1852508-2 | A | 565435-5 | BENCH MODEL K | PRE FEED | CUTS CARRIER |
| 1852508-3 | A | 354500-1 | BENCH MODEL G | PRE FEED | CUTS CARRIER |
| 7-1852508-7 | A | - | - | - | SPARE PARTS |



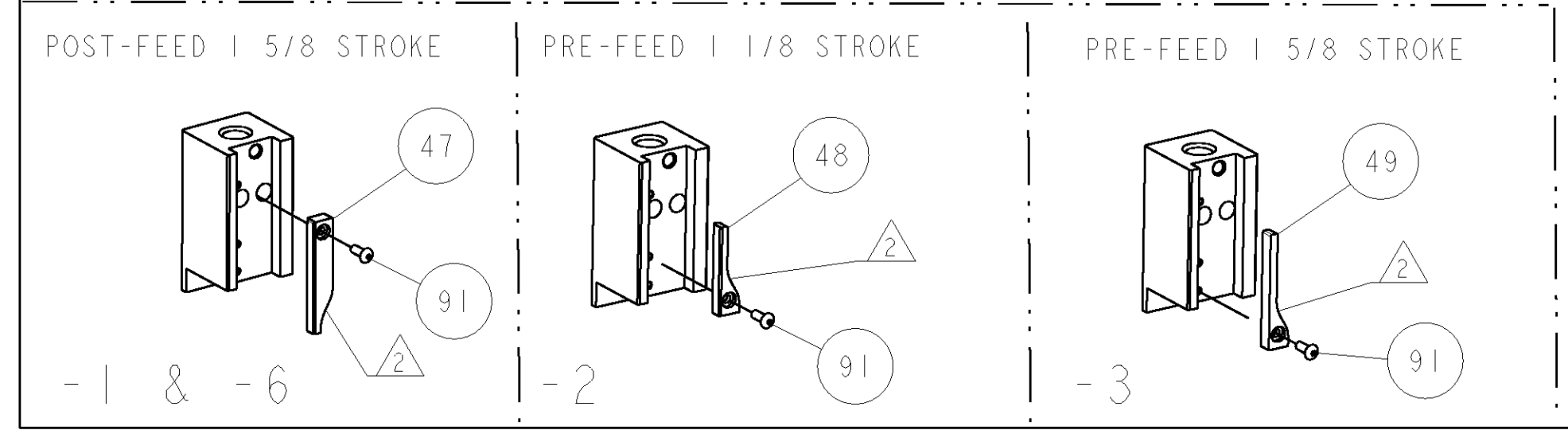
| TE PN | | MANUF PN | | ETCO TERMINAL - TE CRIMP SPECS | |
|-------------------|----------------|----------|-------------------------|--------------------------------|---------------------------|
| 1949420 | - | 50977 | - | CRIMP HEIGHT | WIRE SIZE |
| - | - | - | - | A .077±.002 [1.95±0.05mm] | 14AWG |
| - | - | - | - | B .067±.002 [1.70±0.05mm] | 16AWG |
| - | - | - | - | C .061±.002 [1.54±0.05mm] | 18AWG |
| - | - | - | - | D - | - |
| - | - | - | - | CRIMP | SIZE TYPE RANGE |
| - | - | - | - | WIRE | .100 [2.54mm] F 18-14 AWG |
| - | - | - | - | INSUL | - |
| WIRE STRIP LENGTH | TERM APPL SPEC | FEED | APPLICATOR INSTRUCTIONS | SET UP GAGE | |
| .225 - .240 | NONE | .700 | 408-8040 | 458637-1 | |

- △ RECOMMENDED SPARE PARTS
- △ GREASE LIGHTLY
- △ GUARD MUST BE IN PLACE WHEN OPERATING APPLICATOR IN A BENCH MACHINE



3
3

| LOC | DIST | REV | DATE | DESCRIPTION | DATE | BY | APPD |
|-----|------|-----|-----------|-------------|-------------|---------------------------------------|------|
| A | 66 | A | 13SEP2007 | RELEASED | MEH | GB | |
| - | 2 | 2 | 2 | - | 5-354779-8 | PIN, WIRE DISC, .3280 | 128 |
| - | 2 | 2 | 2 | - | 4-354779-4 | PIN, WIRE DISC, .3210 | 127 |
| - | 2 | 2 | 2 | - | 1-354779-8 | PIN, WIRE DISC, .3080 | 126 |
| - | 1 | 1 | 1 | - | 8-21000-7 | SCR, SKT HD CAP 10-32 X 2.500 | 124 |
| - | - | REF | - | .. | 455749-1 | GUARD WINDOW | 116 |
| - | REF | - | - | .. | 679532-1 | INSERT, GUARD | 115 |
| - | 2 | 2 | 2 | - | 5-21006-6 | SCR, SET, CUP POINT 10-32 X .750 | 99 |
| - | 1 | 1 | 1 | - | 1-22281-8 | SPRING, COMPRESSION | 96 |
| - | 2 | 2 | 2 | - | 1-21002-4 | SCR, BTN SKT HD CAP 4-40 X .375 | 92 |
| - | 1 | 1 | 1 | - | 1-21002-7 | SCR, BTN SKT HD CAP 6-32 X .375 | 91 |
| - | 1 | 1 | 1 | - | 2-21000-7 | SCR, SKT HD CAP 8-32 X .500 | 88 |
| - | 2 | 2 | 2 | - | 1-21000-4 | SCR, SKT HD CAP 4-40 X .375 | 85 |
| - | 1 | 1 | 1 | - | 21989-8 | SCR, SKT HD SHLDR 3/16 DIA X .250 | 83 |
| - | 1 | 1 | 1 | - | 4088040 | SF APPL INST 408-8040 | 72 |
| - | 1 | 1 | 1 | - | 217238-1 | GENERAL INSTRUCTION PKG | 71 |
| - | 1 | 1 | 1 | - | 461264-1 | PLATE, IDENTIFICATION | 67 |
| - | 2 | 2 | 2 | - | 21017-2 | SCREW, DRIVE | 66 |
| - | 1 | 1 | 1 | - | 986950-1 | WASHER, FLAT PRECISION | 64 |
| - | 1 | 1 | 1 | - | 21009-2 | SCR, SET, SELF LOCKING 1/4-20 X .250 | 63 |
| - | 1 | 1 | 1 | - | 22733-8 | SCR, BHSC, SELF-LOCKING, 8-32 X .375 | 60 |
| - | 1 | 1 | 1 | - | 2-22603-0 | SCR, HEX HD CAP 8-32 X .312 | 59 |
| - | 1 | 1 | 1 | - | 2-694433-3 | FEED PAWL | 56 |
| - | 2 | 2 | 2 | - | 2-21000-9 | SCR, SKT HD CAP 8-32 X .750 | 53 |
| - | 2 | 2 | 2 | - | 2-21002-3 | SCR, BTN SKT HD CAP 8-32 X .625 | 52 |
| - | 2 | 2 | 2 | - | 21024-2 | WASHER, SPRG LOCK, REG NO 4 | 51 |
| - | 1 | 1 | 1 | - | 1583893-3 | HOLDER, SLUG BLADE | 50 |
| - | 1 | 1 | 1 | - | 690602-6 | CAM, PRE FEED, 1 5/8 | 49 |
| - | 1 | 1 | 1 | - | 690602-5 | CAM, PRE FEED, 1 1/8 | 48 |
| - | 1 | 1 | 1 | - | 690501-4 | CAM, POST FEED, 1 5/8 | 47 |
| - | 1 | 1 | 1 | - | 459456-1 | APPL. BASIC SUB ASSY (SIDE WISE MOCA) | 46 |
| - | 1 | 1 | 1 | - | 690191-1 | PLUG, NYLON | 45 |
| - | 1 | 1 | 1 | - | 455673-5 | RAM, SIDE FEED | 44 |
| - | 1 | 1 | 1 | - | 690125-1 | SHIM SUB-ASSY | 43 |
| - | 1 | 1 | 1 | - | 690124-1 | WASHER, RAM (.115) | 42 |
| - | 1 | 1 | 1 | - | 7-21002-9 | SCR, BTN SKT HD CAP 5/16-24 X 1.00 | 41 |
| - | 1 | 1 | 1 | - | 690223-2 | SPACER, INS. | 38 |
| - | 1 | 1 | 1 | - | 354777-1 | WIRE DISC, ASSEMBLY | 37 |
| - | 1 | 1 | 1 | - | 22480-5 | SPRING, COMPRESSION | 36 |
| - | 1 | 1 | 1 | - | 690212-1 | POST, RAM | 35 |
| - | 1 | 1 | 1 | - | 1-189807-4 | FENCE | 34 |
| - | 2 | 2 | 2 | - | 2-21002-4 | SCR, BTN SKT HD CAP 8-32 X .750 | 33 |
| - | 1 | 1 | 1 | - | 21024-5 | WASHER, SPRG LOCK, REG NO 10 | 32 |
| - | 1 | 1 | 1 | - | 3-21000-4 | SCR, SKT HD CAP 10-32 X .375 | 31 |
| - | 1 | 1 | 1 | - | 1320908-1 | SPACER, STRIP GUIDE | 30 |
| - | 1 | 1 | 1 | - | 1-1633087-0 | PLATE, STRIP GUIDE | 29 |
| - | 2 | 2 | 2 | - | 1-22282-3 | SPRING, COMPRESSION | 27 |
| - | 1 | 1 | 1 | - | 240793-4 | LEVER, DRAG RELEASE | 26 |
| - | 1 | 1 | 1 | - | 2-690754-6 | DRAG, SPECIAL | 25 |
| - | 1 | 1 | 1 | - | 1633333-5 | PLATE, SLOTTED STRIP GUIDE | 24 |
| - | 1 | 1 | 1 | - | 3-690487-2 | GUIDE, FRONT STRIP | 23 |
| - | 1 | 1 | 1 | - | 2-21000-7 | SCR, SKT HD CAP 8-32 X .500 | 21 |
| - | 2 | 2 | 2 | - | 21024-4 | WASHER, SPRG LOCK, REG NO 8 | 20 |
| - | 1 | 1 | 1 | - | 1-456468-2 | STRIPPER, SPECIAL | 19 |
| - | 1 | 1 | 1 | - | 1-1633124-4 | PLATE, REAR SHEAR | 15 |
| - | - | - | - | - | - | - | 13 |
| - | - | - | - | - | - | - | 12 |
| - | - | - | - | - | - | - | 11 |
| - | - | - | - | - | - | - | 10 |
| - | - | - | - | - | - | - | 9 |
| △ | 1 | 1 | 1 | 1 | 1633592-1 | ANVIL, WIRE, CENTER CARRIER | 8 |
| △ | - | - | - | - | - | - | 7 |
| △ | - | - | - | - | 1633593-1 | BLADE, SLUG | 6 |
| - | - | - | - | - | 2-240641-8 | SPACER | 5 |
| - | - | - | - | - | - | - | 4 |
| - | - | - | - | - | - | - | 3 |
| △ | 1 | 1 | 1 | 1 | 1633588-2 | CRIMPER, WIRE | 1 |



| | | | | | | | |
|-------------|--|--|--|-----------------------------|--|---|--|
| DIMENSIONS: | | TOLERANCES UNLESS OTHERWISE SPECIFIED: | | DWG: HERR 16AUG2007 | | Tyco Electronics Tyco Electronics Harrisburg, PA 17105-3608 | |
| INCHES | | 0 PLC ±.01 | | CHK: G. BAILEY 16AUG2007 | | NAME: SIDE FEED HDM APPLICATOR | |
| Ø | | 1 PLC ±.01 | | APVD: T. BENCHOFF 16AUG2007 | | PRODUCT SPEC: - | |
| H | | 2 PLC ±.01 | | APPL SPEC: - | | SIZE: CAGE CODE: DRAWING NO: RESTRICTED TO | |
| L | | 3 PLC ±.01 | | MATERIAL: - | | SCALE: 3:5 SHEET 1 OF 1 REV A | |
| R | | 4 PLC ±.001 | | WEIGHT: - | | CUSTOMER DRAWING | |
| ANGLES | | ±.0001 | | FINISH: - | | A1 00779 C=1852508 | |

CUSTOMER VIEWABLE ASSEMBLY

Mouser Electronics

Authorized Distributor

Click to View Pricing, Inventory, Delivery & Lifecycle Information:

[TE Connectivity:](#)

[1852508-3](#)