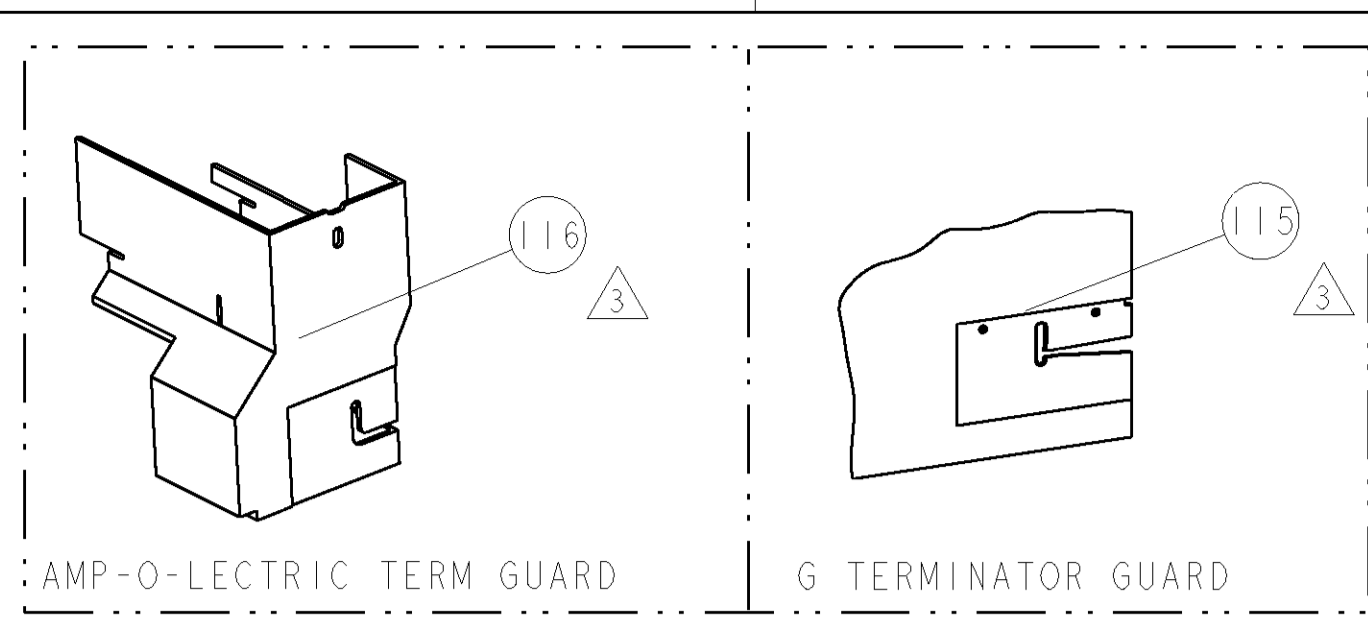
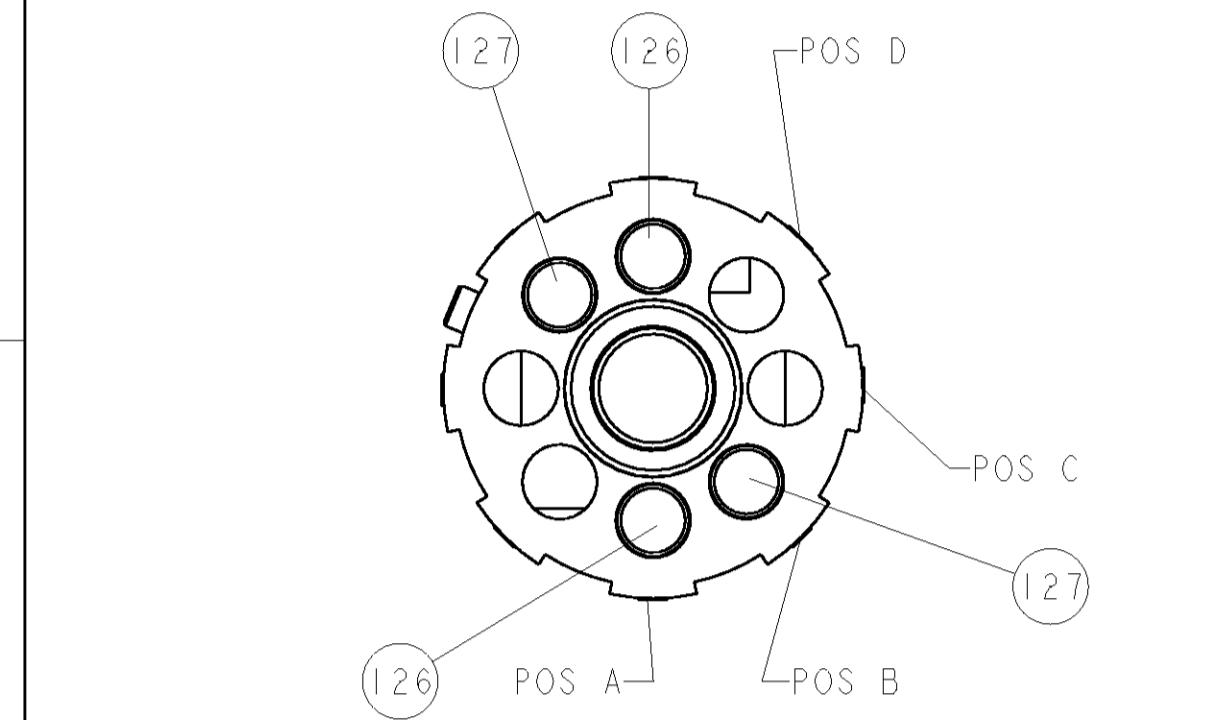


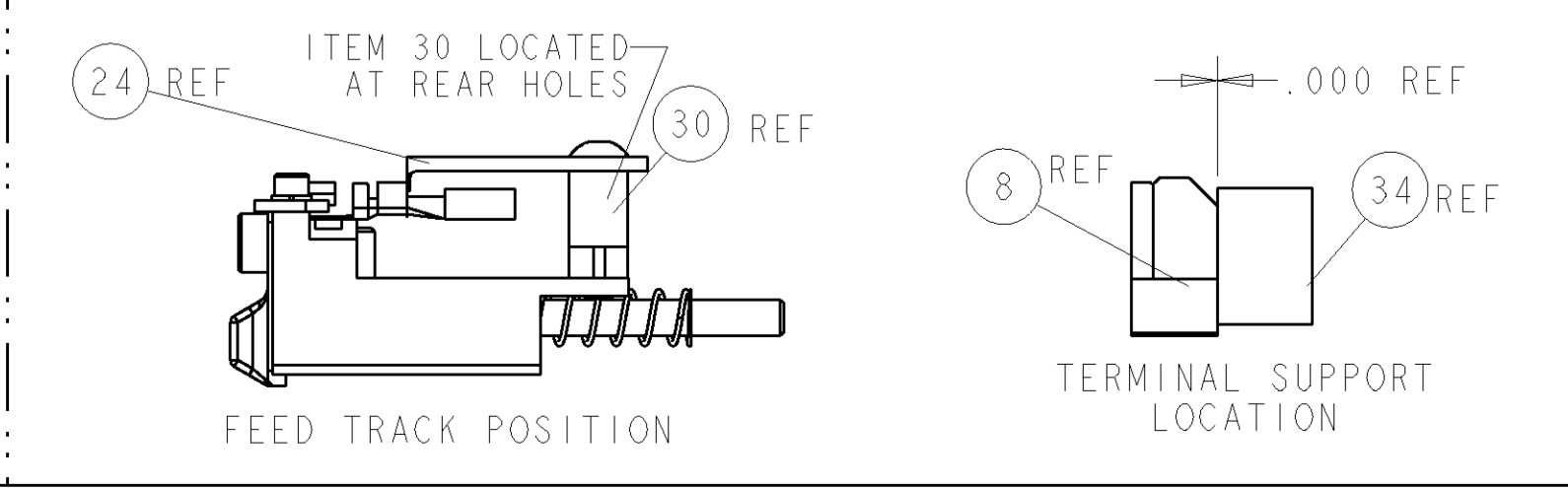
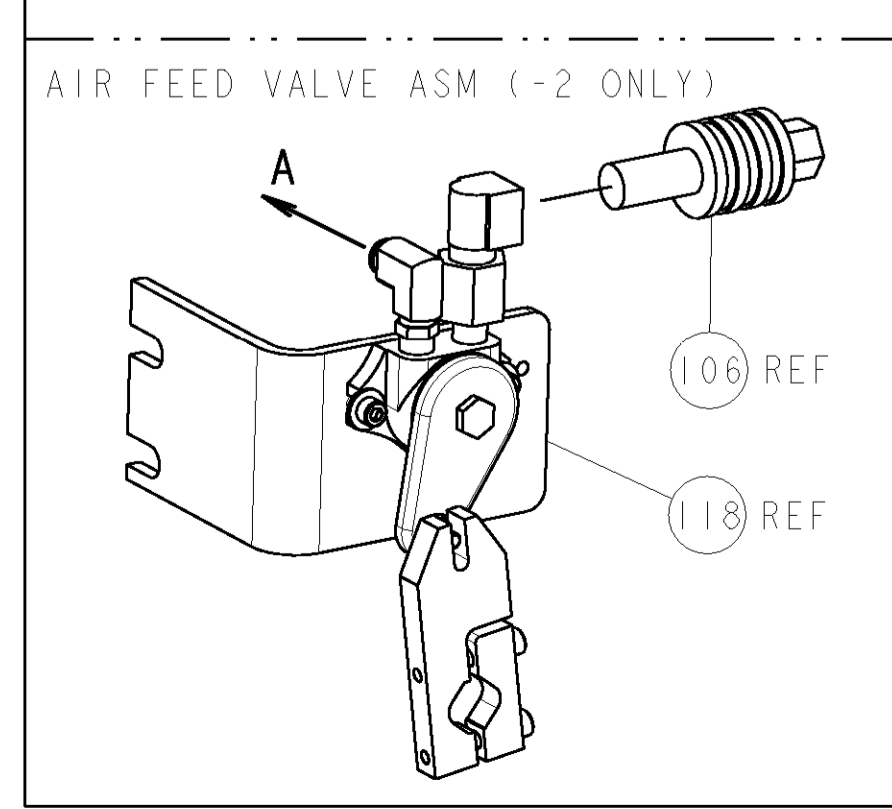
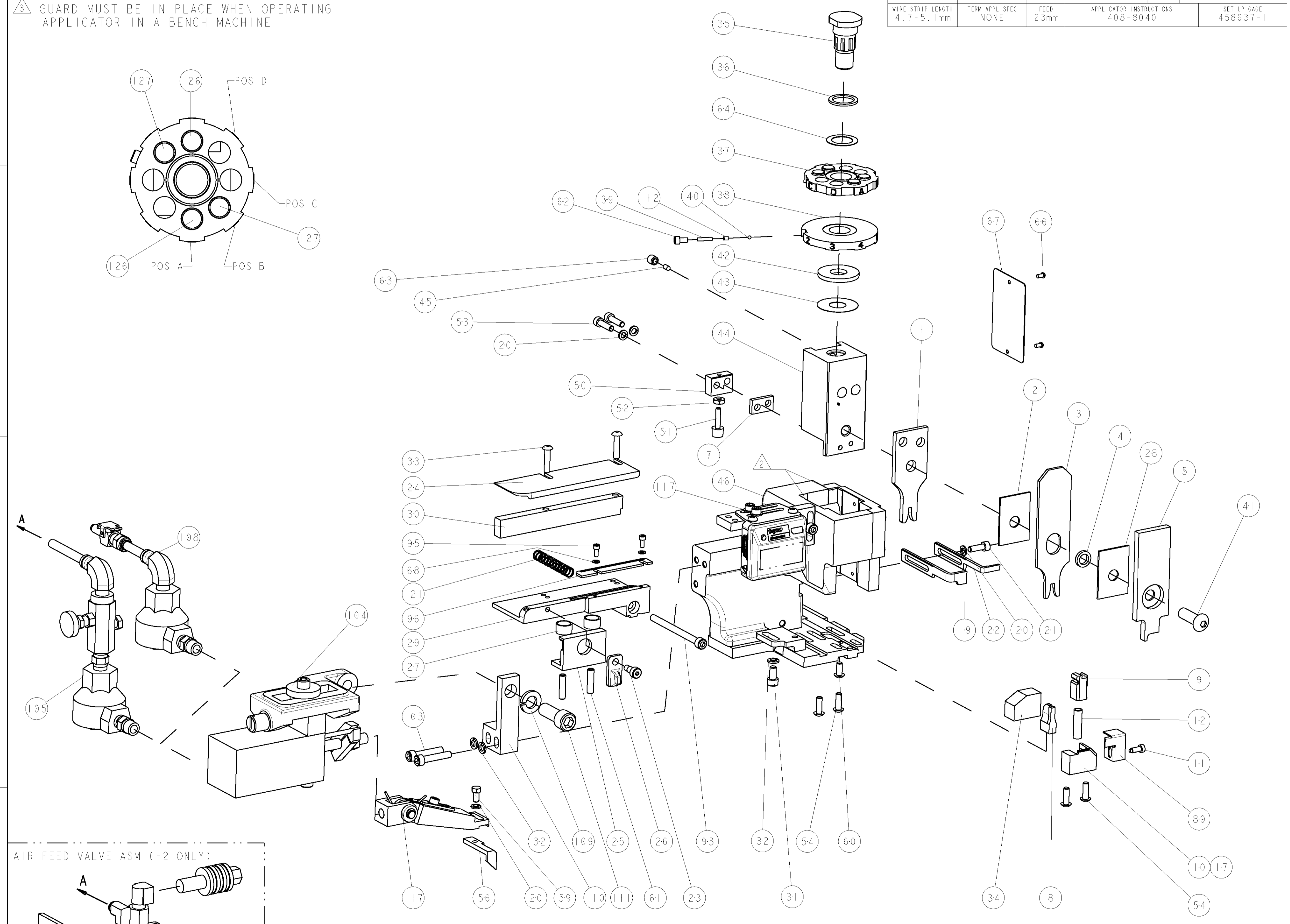
PART NUMBER	REV	FIRST USED	POWER UNIT	FEED TYPE	DESCRIPTION
1852440-1	A	122500-1	LEADMAKER	AIR FEED	CUTS CARRIER
1852440-2	A	565435-5	BENCH MODEL K	AIR FEED	CUTS CARRIER
1852440-3	A	354500-1	BENCH MODEL G	AIR FEED	CUTS CARRIER
1852440-6	A	122500-1	LEADMAKER	AIR FEED	CONTINUOUS CARRIER
7-1852440-7	A	-	-	-	SPARE PARTS

- △ RECOMMENDED SPARE PARTS
- △ GREASE LIGHTLY
- △ GUARD MUST BE IN PLACE WHEN OPERATING APPLICATOR IN A BENCH MACHINE



TERMINAL NAME: CHART 250 TERMINAL, FEMALE			
SOCKET	PIN	AMP TERMINAL - AMP CRIMP SPECS	
1438231-4	-	-	-
3-1438231-2	-	PAD LTR	CRIMP HEIGHT
-	-	A	1.85±0.05mm [.073±.002]
-	-	B	1.70±0.05mm [.067±.002]
-	-	C	-
-	-	D	-
-	-	CRIMP	SIZE
-	-	WIRE	2.54mm [.100]
-	-	INSUL	3.56mm [.140]
WIRE STRIP LENGTH	TERM APPL SPEC	FEED	APPLICATOR INSTRUCTIONS
4.7-5.1mm	NONE	2.3mm	408-8040
-	-	-	SET UP GAGE
-	-	-	458637-1

LOC	DIST	REV	DESCRIPTION	DATE	BY	APPD
A	66		RELEASED	28MAR2007	LG	TE



QTY	REV	U/M	PART NO	DESCRIPTION	ITEM NO			
- 2	2	2	2	9-354778-5	PIN, WIRE DISC, .2970	127		
- 2	2	2	2	8-354778-3	PIN, WIRE DISC, .2910	126		
- 1	1	1	1	1-22281-8	SPRING, COMPRESSION	121		
- -	-	-	-	692655-6	AIR FEED VALVE ASSEMBLY	118		
- 1	1	1	1	461062-1	FEED FINGER ASSEMBLY	117		
- -	-	-	-	455749-1	GUARD WINDOW	116		
- -	-	-	-	679532-1	INSERT, GUARD	115		
- 1	1	1	1	690603-1	SPRING ASSIST AMP-O-MATOR APPLICATOR	112		
-77	-6	-3	-2	-1	U/M	PART NO	DESCRIPTION	ITEM NO

QTY	REV	U/M	PART NO	DESCRIPTION	ITEM NO	
- 1	1	1	1	3-21001-5	SCR, SKT HD CAP 3/8-16 X 1.000	111
- 1	1	1	1	459610-3	MOUNT, FEED BRACKET	110
- 1	1	1	1	21024-8	WASHER, SPRG LOCK, REG 3/8	109
- 1	1	1	1	692655-7	AIR FEED VALVE ASSEMBLY	108
- -	-	-	-	24024-2	VALVE, SHUT OFF	106
- -	-	-	-	692655-5	AIR FEED VALVE ASSEMBLY	105
- 1	1	1	1	461065-1	ASSEMBLY, AIR FEED	104
- 2	2	2	2	3-21000-9	SCR, SKT HD CAP 10-32 X 1.000	103
- 1	1	1	1	1-690438-0	FRONT STRIP GUIDE	96
- 2	2	2	2	1-21000-3	SCR, SKT HD CAP 4-40 X .250	95
- 1	1	1	1	8-21000-7	SCR, SKT HD CAP 10-32 X 2.500	93
- 1	1	1	1	318563-1	GUARD, FRONT CHIP	89
- 1	1	1	1	4088040	SF APPL INST 408-8040	72
- 1	1	1	1	217238-1	GENERAL INSTRUCTION PKG	71
- 2	2	2	2	21024-2	WASHER, SPRG LOCK, REG NO 4	68
- 1	1	1	1	461264-1	PLATE, IDENTIFICATION	67
- 2	2	2	2	21017-2	SCREW, DRIVE	66
- 1	1	1	1	986950-1	WASHER, FLAT PRECISION	64
- 1	1	1	1	21009-2	SCR, SET, SELF LOCKING 1/4-20 X .250	63
- 1	1	1	1	23030-1	SCR, SKT HD CAP 6-32 X .25	62
- 2	2	2	2	5-21006-6	SCR, SET, CUP POINT 10-32 X .750	61
- 1	1	1	1	22733-8	SCR, BHSC, SELF-LOCKING, 8-32 X .375	60
- 1	1	1	1	2-22603-0	SCR, HEX HD CAP 8-32 X .312	59
- 1	1	1	1	3-694433-7	FEED PAWL	56
- 4	4	4	4	2-21002-2	SCR, BTN SKT HD CAP 8-32 X .500	54
- 2	2	2	2	2-21000-8	SCR, SKT HD CAP 8-32 X .625	53
- 1	1	1	1	21018-5	NUT, HEX, REG 6-32	52
- 1	1	1	1	811242-2	BUMPER, HOLD DOWN	51
- 1	1	1	1	690753-1	SPACER, TONKER	50
- 1	1	1	1	1633399-1	APPL., BASIC AIR FEED SUB ASSY	46
- 1	1	1	1	690191-1	PLUG, NYLON	45
- 1	1	1	1	455673-1	RAM, SIDE FEED	44
- 1	1	1	1	690125-1	SHIM SUB-ASSY	43
- 1	1	1	1	690124-1	WASHER, RAM (.115)	42
- 1	1	1	1	7-21002-9	SCR, BTN SKT HD CAP 5/16-24 X 1.00	41
- 1	1	1	1	23241-6	BALL, STEEL	40
- 1	1	1	1	690170-1	SPRING, COMPRESSION	39
- 1	1	1	1	690142-1	DISC, INSULATION	38
- 1	1	1	1	354777-1	WIRE DISC, ASSEMBLY	37
- 1	1	1	1	22480-5	SPRING, COMPRESSION	36
- 1	1	1	1	690212-1	POST, RAM	35
- 1	1	1	1	690786-4	TERMINAL SUPPORT	34
- 2	2	2	2	2-21002-4	SCR, BTN SKT HD CAP 8-32 X .750	33
- 3	3	3	3	21024-5	WASHER, SPRG LOCK, REG NO 10	32
- 1	1	1	1	3-21000-4	SCR, SKT HD CAP 10-32 X .375	31
- 1	1	1	1	1320908-3	SPACER, STRIP GUIDE	30
- 1	1	1	1	1633087-1	PLATE, STRIP GUIDE	29
- 1	1	1	1	1-455888-0	SPACER, CRIMPER	28
- 2	2	2	2	1-22284-0	SPRING, COMPRESSION	27
- 1	1	1	1	356835-1	LEVER, DRAG RELEASE	26
- 1	1	1	1	240792-1	DRAG, TERMINAL	25
- 1	1	1	1	1320928-1	PLATE, STRIP GUIDE	24
- 1	1	1	1	21989-8	SCR, SKT HD SHLDR 3/16 DIA X .250	23
- 1	1	1	1	690472-2	STRIPPER	22
- 1	1	1	1	2-21000-7	SCR, SKT HD CAP 8-32 X .500	21
- 4	4	4	4	21024-4	WASHER, SPRG LOCK, REG NO 8	20
- -	-	-	-	691353-1	STRIPPER	19
- 1	1	1	1	679625-1	SHEAR HOLDER, FRONT (NO CUT)	17
- 1	1	1	1	3-22280-3	SPRING, COMPRESSION	12
- 1	1	1	1	690461-1	STOP, SHEAR	11
- -	-	-	-	690459-1	SHEAR HOLDER, FRONT	10
- 1	1	1	1	454276-1	FLOATING SHEAR, FRONT	9
1	1	1	1	1-1633111-5	ANVIL, COMBINATION .100	8
- 1	1	1	1	5-240641-2	SPACER	7
- 1	1	1	1	2-455889-0	DEPRESSOR, SHEAR	5
- 1	1	1	1	1-238011-0	BLOCK, CRIMPER SPACER	4
1	1	1	1	7-456134-7	CRIMPER, INSULATION F PREMIUM	3
- 1	1	1	1	455888-9	SPACER, CRIMPER	2
1	1	1	1	3-456407-3	CRIMPER, WIRE PREMIUM	1

THIS DRAWING IS UNPUBLISHED. RELEASED FOR PUBLICATION. COPYRIGHT 20 BY TYCO ELECTRONICS CORPORATION. ALL RIGHTS RESERVED.

TYCO ELECTRONICS CORPORATION, HARRISBURG, PA 17105-3608

TYCO Electronics

PRODUCT SPEC: SIDE FEED HDM APPLICATOR

SCALE: 3:5

CUSTOMER VIEWABLE ASSEMBLY

Mouser Electronics

Authorized Distributor

Click to View Pricing, Inventory, Delivery & Lifecycle Information:

[TE Connectivity:](#)

[1852440-1](#)