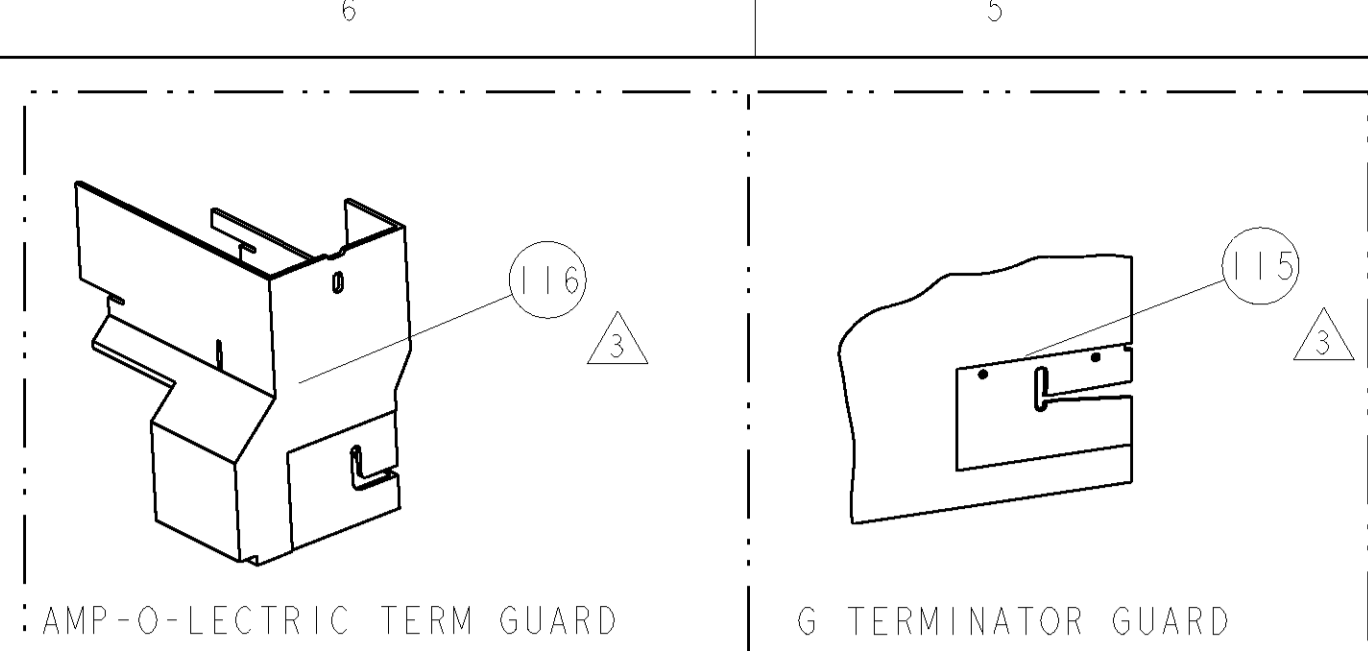


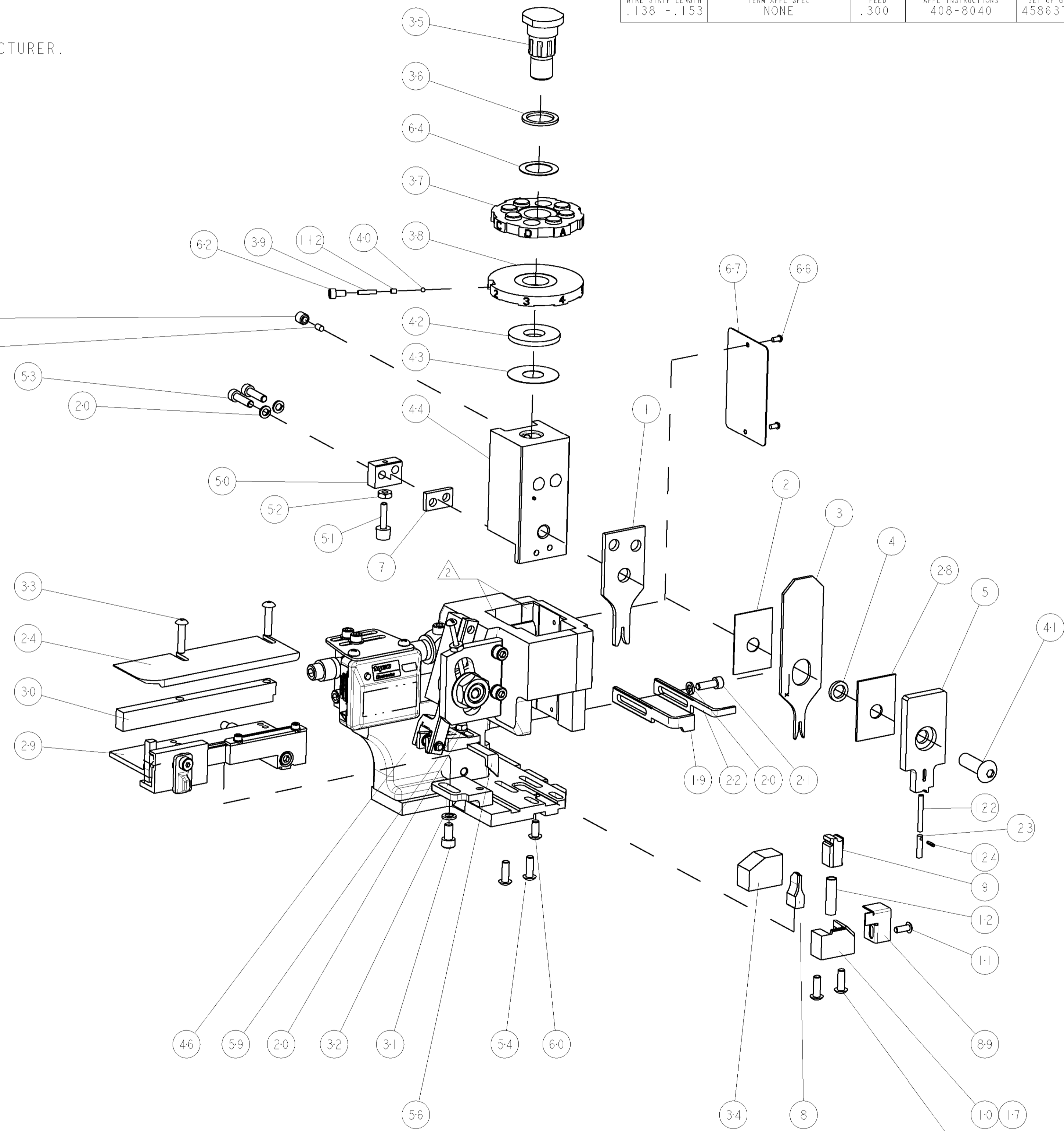
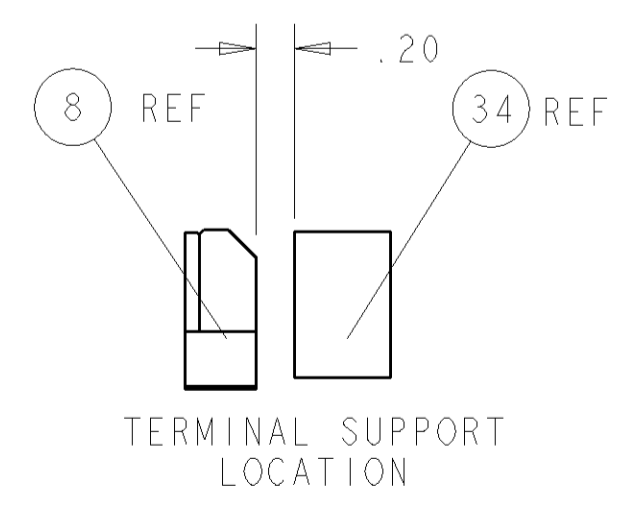
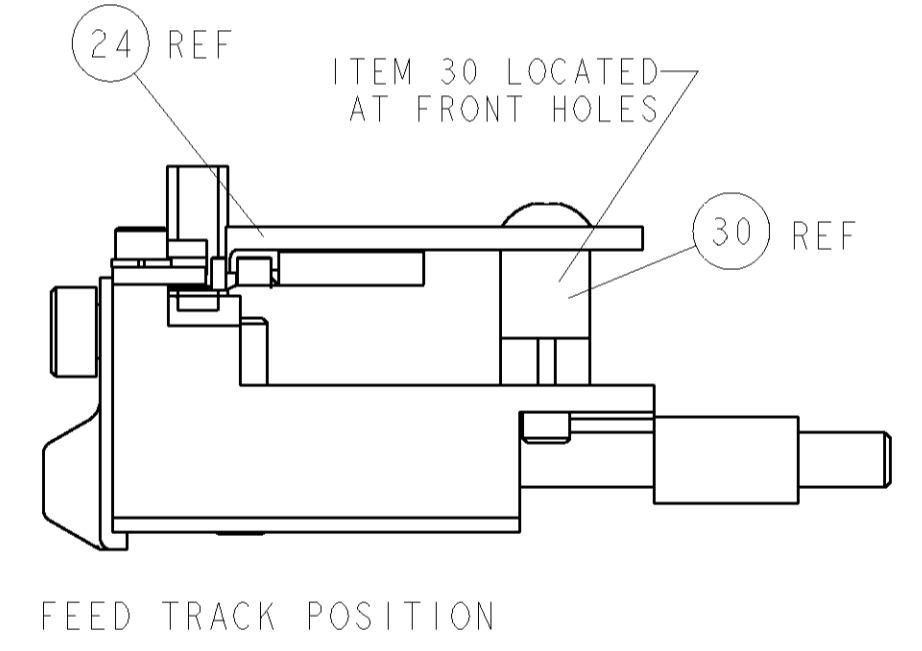
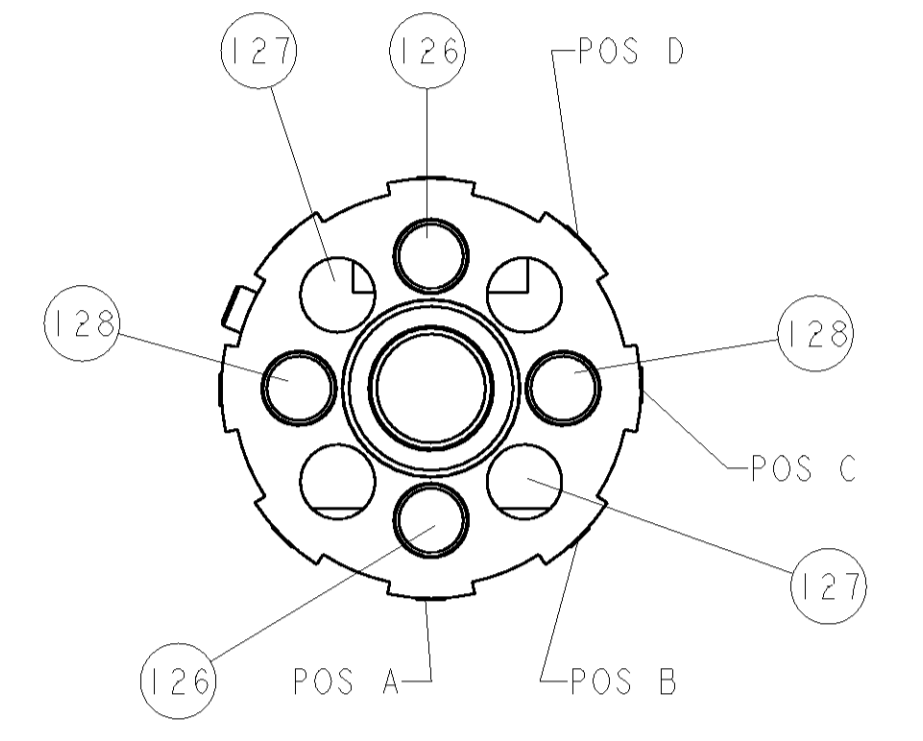
PART NUMBER	REV	FIRST USED	POWER UNIT	FEED TYPE	DESCRIPTION
1852295-1	A	122500-1	LEADMAKER	POST FEED	CUTS CARRIER
1852295-2	A	565435-5	BENCH MODEL K	PRE FEED	CUTS CARRIER
1852295-3	A	354500-1	BENCH MODEL G	PRE FEED	CUTS CARRIER
1852295-6	A	122500-1	LEADMAKER	POST FEED	CONTINUOUS CARRIER
7-1852295-7	A	-	-	-	SPARE PARTS



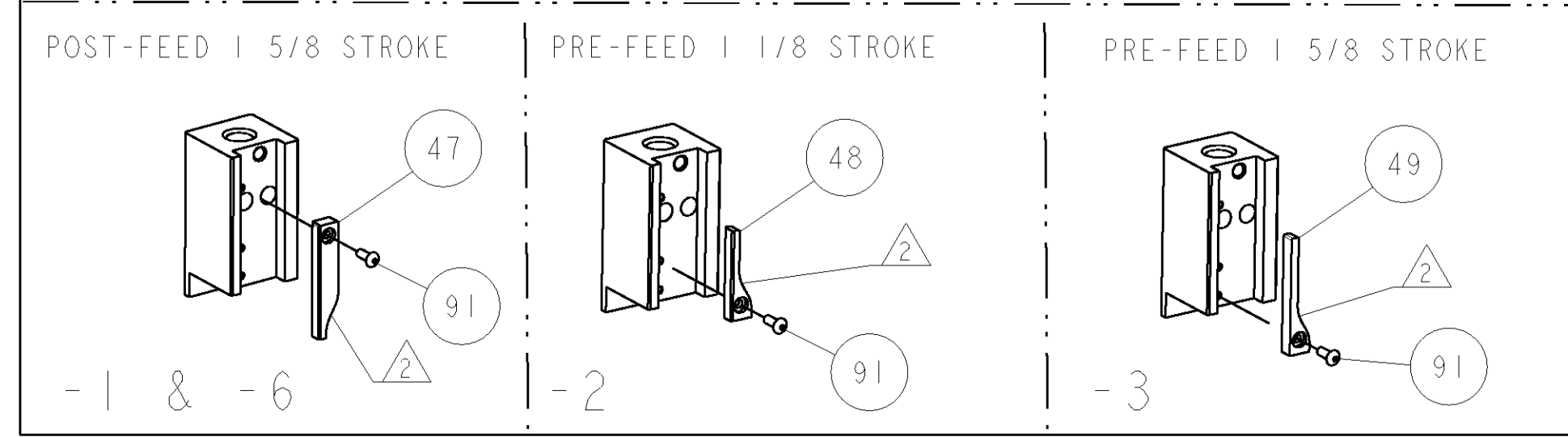
TYCO PN		MFG PN		JAE TERMINAL - AMP CRIMP SPECS	
1949084	MX7-SGC3-7000				
		PAD LTR		CRIMP HEIGHT	WIRE SIZE
		A		.051±.002 [1.30±0.05mm]	18 AWG
		B		.044±.002 [1.12±0.05mm]	20 AWG
		C		.041±.002 [1.04±0.05mm]	22 AWG
		D		-	-
		CRIMP	SIZE	TYPE	RANGE
		-	-	-	-
		WIRE	.062 [1.57mm]	F	18-22 AWG
		INSUL	.065 [1.65mm]	F	∅ .055-.083
WIRE STRIP LENGTH	TERM APPL SPEC	FEED	APPL INSTRUCTIONS	SET UP GAGE	
.138-.153	NONE	.300	408-8040	458637-1	

LOC	DIST	REV	DESCRIPTION	DATE	BY	APPD
A	66		RELEASED	17JUL2006	LG	TE

- △ RECOMMENDED SPARE PARTS
- △ GREASE LIGHTLY
- △ GUARD MUST BE IN PLACE WHEN OPERATING APPLICATOR IN A BENCH MACHINE
- △ WIRE SIZE NOT RECOMMENDED BY TERMINAL MANUFACTURER.



QTY	REV	DESCRIPTION	DATE	BY	APPD		
2	2	2	2	-	4-354779-6	PIN, WIRE DISC, .3220	128
2	2	2	2	-	4-354779-0	PIN, WIRE DISC, .3190	127
2	2	2	2	-	2-354779-5	PIN, WIRE DISC, .3115	126
1	1	1	1	-	21028-2	PIN, SLOTTED SPRING .062 X .250	124
1	1	1	1	-	854769-1	HOLDER, INS	123
1	1	1	1	-	5-547505-2	SPRING, COMPRESSION	122
REF	REF	REF	REF	..	455749-1	GUARD WINDOW	116
REF	REF	REF	REF	..	679532-1	INSERT, GUARD	115
1	1	1	1	-	690603-1	SPRING ASSIST AMP-O-MATOR APPLICATOR	112
1	1	1	1	-	1-21002-7	SCR, BTN SKT HD CAP 6-32 X .375	91
1	1	1	1	-	318563-1	GUARD, FRONT CHIP	89
1	1	1	1	-	4088040	SF APPL INST 408-8040	72
1	1	1	1	-	217238-1	GENERAL INSTRUCTION PKG	71
1	1	1	1	-	461264-1	PLATE, IDENTIFICATION	67
2	2	2	2	-	21017-2	SCREW, DRIVE	66
1	1	1	1	-	986950-1	WASHER, FLAT PRECISION	64
1	1	1	1	-	21009-2	SCR, SET, SELF LOCKING 1/4-20 X .250	63
1	1	1	1	-	23030-1	SCR, SKT HD CAP 6-32 X .25	62
1	1	1	1	-	22733-8	SCR, BHSC, SELF-LOCKING, 8-32 X .375	60
1	1	1	1	-	2-22603-0	SCR, HEX HD CAP 8-32 X .312	59
1	1	1	1	-	458537-2	PAWL, FEED	56
4	4	4	4	-	2-21002-2	SCR, BTN SKT HD CAP 8-32 X .500	54
2	2	2	2	-	2-21000-8	SCR, SKT HD CAP 8-32 X .625	53
1	1	1	1	-	21018-5	NUT, HEX, REG 6-32	52
1	1	1	1	-	811242-2	BUMPER, HOLD DOWN	51
1	1	1	1	-	690753-1	SPACER, TONKER	50
-	-	1	-	..	690602-6	CAM, PRE FEED, 1 5/8	49
-	-	1	-	..	690602-5	CAM, PRE FEED, 1 1/8	48
1	1	1	1	-	690501-4	CAM, POST FEED, 1 5/8	47
1	1	1	1	-	459456-1	APPL. BASIC SUB ASSY (SIDE WISE MQCA)	46
1	1	1	1	-	690191-1	PLUG, NYLON	45
1	1	1	1	-	455673-1	RAM, SIDE FEED	44
1	1	1	1	-	690125-1	SHIM SUB-ASSY	43
1	1	1	1	-	690124-1	WASHER, RAM (.115)	42
1	1	1	1	-	7-21002-9	SCR, BTN SKT HD CAP 5/16-24 X 1.00	41
1	1	1	1	-	23241-6	BALL, STEEL	40
1	1	1	1	-	690170-1	SPRING, COMPRESSION	39
1	1	1	1	-	690142-1	DISC, INSULATION	38
1	1	1	1	-	354777-1	WIRE DISC, ASSEMBLY	37
1	1	1	1	-	22480-5	SPRING, COMPRESSION	36
1	1	1	1	-	690212-1	POST, RAM	35
1	1	1	1	-	690786-3	TERMINAL SUPPORT	34
2	2	2	2	-	2-21002-4	SCR, BTN SKT HD CAP 8-32 X .750	33
1	1	1	1	-	21024-5	WASHER, SPRG LOCK, REG NO 10	32
1	1	1	1	-	3-21000-4	SCR, SKT HD CAP 10-32 X .375	31
1	1	1	1	-	1320908-4	SPACER, STRIP GUIDE	30
1	1	1	1	-	1633091-1	ASSEMBLY, STRIP GUIDE	29
1	1	1	1	-	1-455888-0	SPACER, CRIMPER	28
1	1	1	1	-	1320928-5	PLATE, STRIP GUIDE	24
1	1	1	1	-	690472-2	STRIPPER	22
1	1	1	1	-	2-21000-7	SCR, SKT HD CAP 8-32 X .500	21
4	4	4	4	-	21024-4	WASHER, SPRG LOCK, REG NO 8	20
-	-	1	-	..	691353-1	STRIPPER	19
1	1	1	1	-	679625-1	SHEAR HOLDER, FRONT (NO CUT)	17
1	1	1	1	-	3-22280-3	SPRING, COMPRESSION	12
1	1	1	1	-	1-21002-7	SCR, BTN SKT HD CAP 6-32 X .375	11
-	-	1	-	..	690459-1	SHEAR HOLDER, FRONT	10
1	1	1	1	-	462006-1	FLOATING SHEAR, FRONT	9
1	1	1	1	-	2-1633107-3	ANVIL, COMBINATION .062	8
1	1	1	1	-	5-240641-2	SPACER	7
1	1	1	1	-	854772-4	DEPRESSOR, SHEAR	5
1	1	1	1	-	238011-7	BLOCK, CRIMPER SPACER	4
1	1	1	1	-	3-683453-7	CRIMPER, INSULATION PREMIUM	3
1	1	1	1	-	455888-5	SPACER, CRIMPER	2
1	1	1	1	-	5-456403-2	CRIMPER, WIRE PREMIUM	1



DIMENSIONS: INCHES 	TOLERANCES UNLESS OTHERWISE SPECIFIED: 0 PLC ±.01 1 PLC ±.01 2 PLC ±.01 3 PLC ±.001 4 PLC ±.001 ANGLES ±.001	DWG NO: 30JUN2006 CHK: G. BALLEW APD: 30JUN2006 NAME: T. BENCHOFF	Tyco Electronics Harrisburg, PA 17105-3608 SIDE FEED HDM APPLICATOR
MATERIAL:	FINISH:	WEIGHT:	SCALE: 3:5
CUSTOMER DRAWING		SIZE: A1	SHEET 1 OF 1

CUSTOMER VIEWABLE ASSEMBLY

# Mouser Electronics

Authorized Distributor

Click to View Pricing, Inventory, Delivery & Lifecycle Information:

[TE Connectivity:](#)

[1852295-2](#)