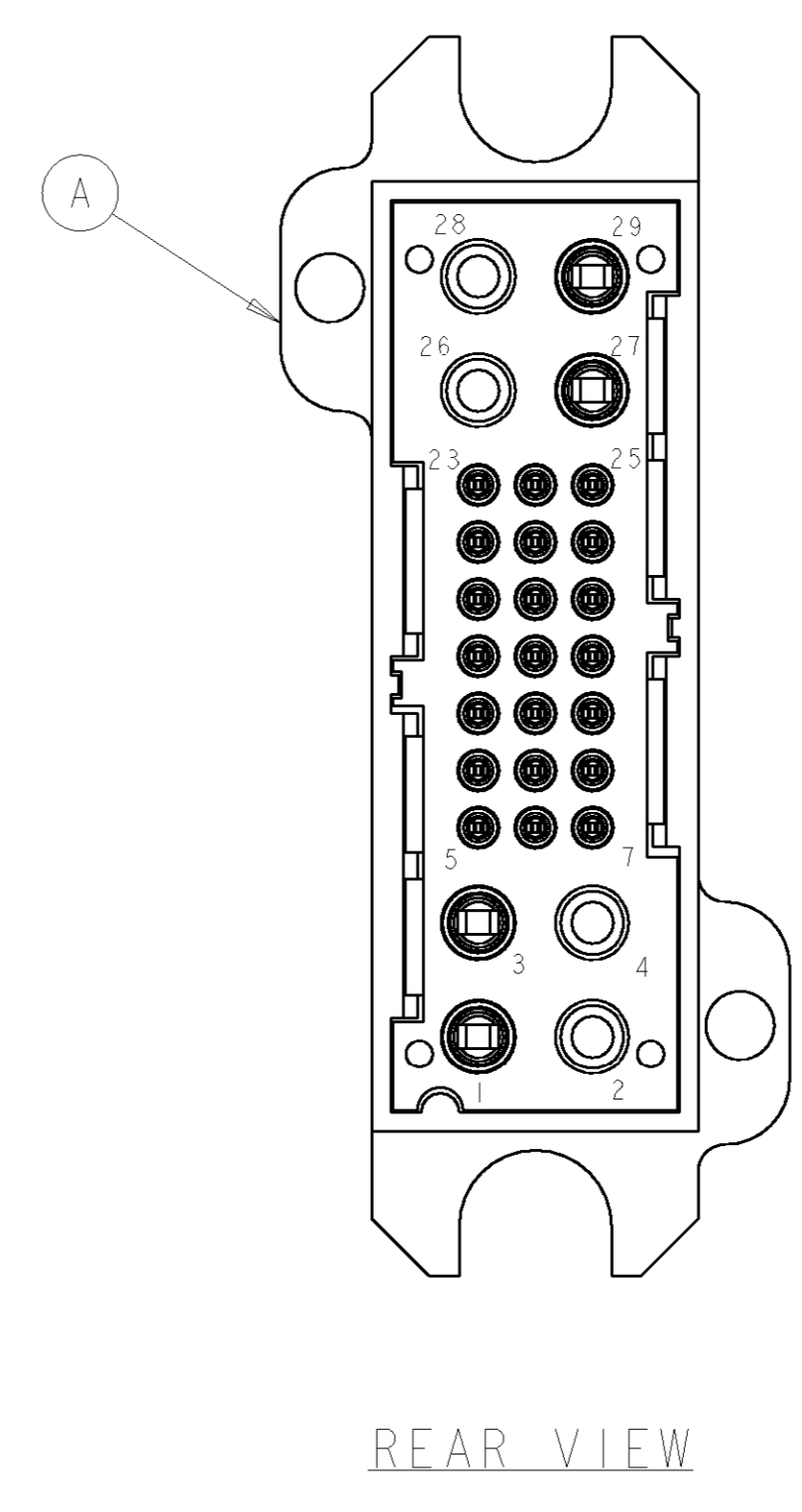
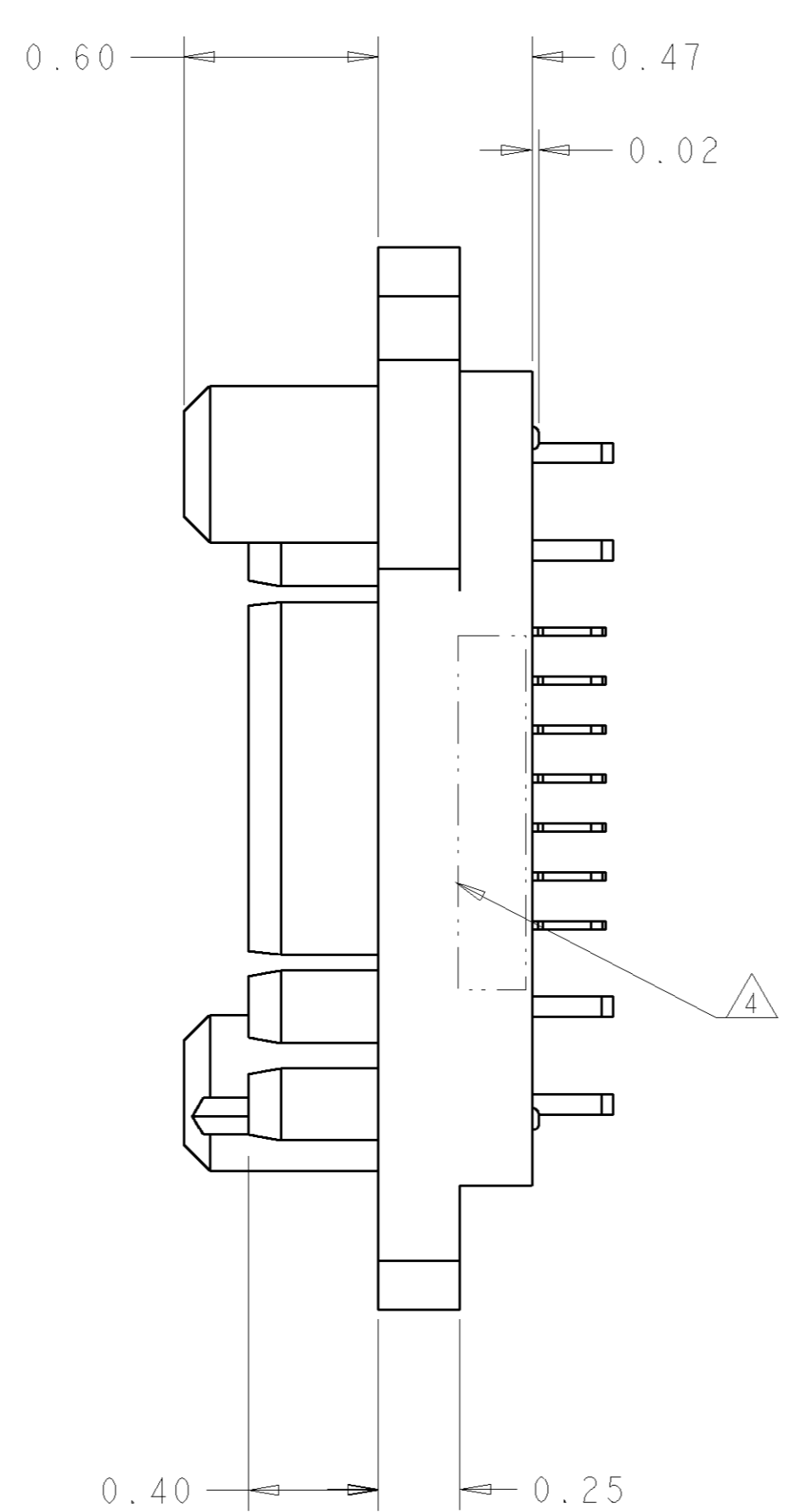
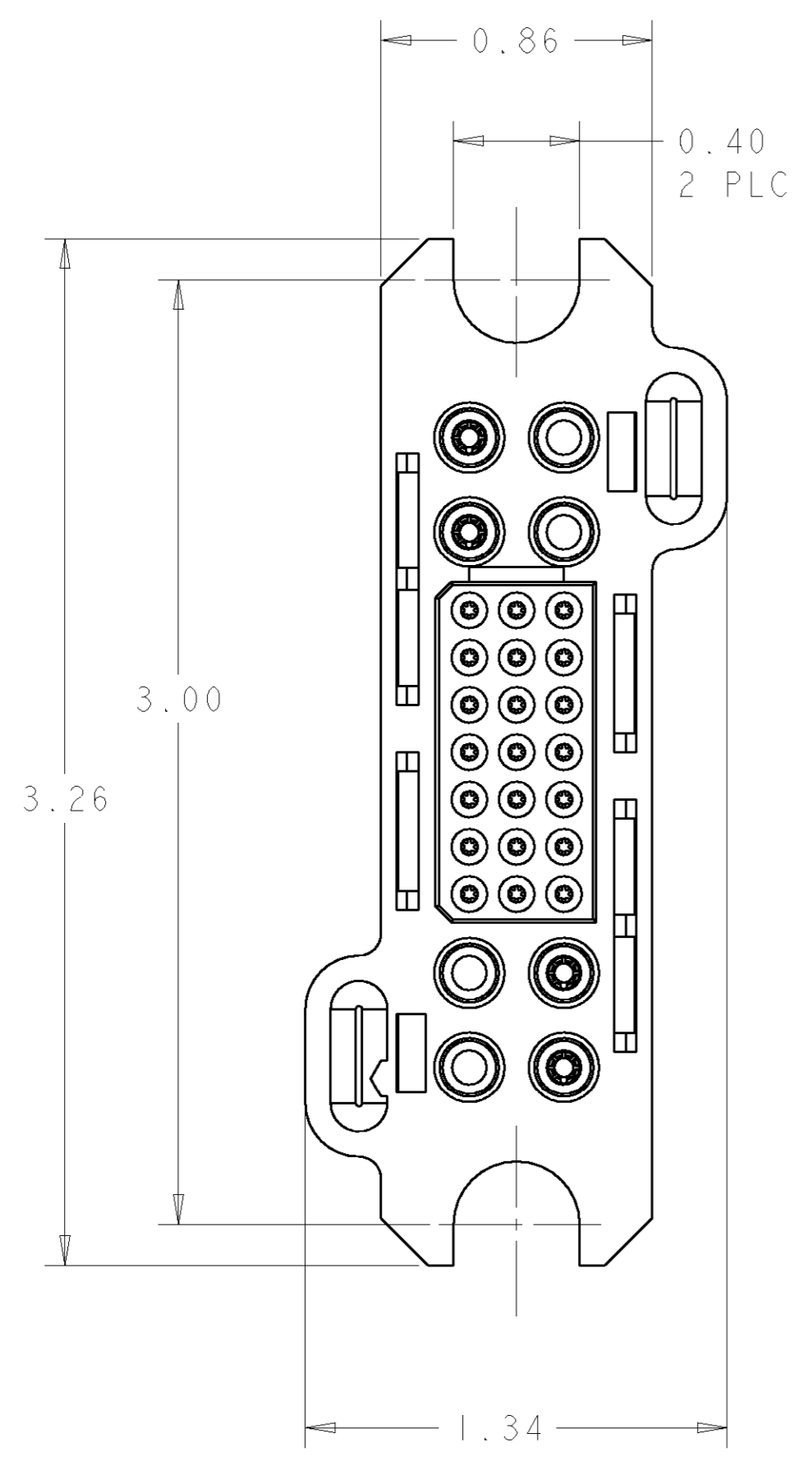


THIS DRAWING IS UNPUBLISHED. RELEASED FOR PUBLICATION 20
 © COPYRIGHT 20 BY TYCO ELECTRONICS CORPORATION. ALL RIGHTS RESERVED.

LOC	DIST	REVISIONS			
P	LTR	DESCRIPTION	DATE	DWN	APVD
GP	00	A	NEW RELEASED	04MAY2007	RG DO



- SOCKET CONTACTS SIZE #12 (C)
- SOCKET CONTACTS SIZE #20 (B)
- SOCKET CONTACTS SIZE #12 (C)

AS SHOWN	1643837-1
DESCRIPTION	PART NUMBER

<small>THIS DRAWING IS A CONTROLLED DOCUMENT FOR TYCO ELECTRONICS CORPORATION. IT IS SUBJECT TO CHANGE AND THE CONTROLLING ENGINEERING ORGANIZATION SHOULD BE CONTACTED FOR THE LATEST REVISION.</small>		DWN R. GRZYBOWSKI 7MAY07 CHK D. ORRIS 7MAY07 APVD S. FLICKINGER 7MAY07	tyco Electronics Tyco Electronics Harrisburg, PA 17105-3608
DIMENSIONS: INCHES 	TOLERANCES UNLESS OTHERWISE SPECIFIED: 0 PLC ± 1 PLC ± 2 PLC ±.02 3 PLC ±.010 4 PLC ± ANGLES ±.5 FINISH	PRODUCT SPEC APPLICATION SPEC WEIGHT CUSTOMER DRAWING	NAME CONNECTOR ASSEMBLY SOCKET 75 AMP, MIDDLE DRAWER SIZE CAGE CODE DRAWING NO RESTRICTED TO A200779 C-1643837 -
ELCON DRAWER <small>AMP 1471-9 REV 31MAR2000</small>		SCALE 3:1 SHEET 1 OF 2 REV A	

THIS DRAWING IS UNPUBLISHED. RELEASED FOR PUBLICATION 20
 © COPYRIGHT 20 BY TYCO ELECTRONICS CORPORATION. ALL RIGHTS RESERVED.

LOC		DIST		REVISIONS			
P	LTR	DESCRIPTION	DATE	DWN	APVD		
-	-	SEE SHEET 1	-	-	-		

1. PART NUMBER CHANGES AND OR DESIGN CHANGES AFFECTING THE INTERCHANGEABILITY REQUIRE PRIOR TYCO APPROVAL AND AUTHORIZATION BY REVISION TO THIS DRAWING.

2. MATERIAL:
 INSULATOR: THERMOPLASTIC, GLASS REINFORCED, UL 94V-0
 FLAMMABILITY RATED, COLOR: BLACK
 CONTACT: COPPER ALLOY
 CROWN BAND: BERYLLIUM COPPER
 RETENTION CLIP: BERYLLIUM COPPER OR STAINLESS STEEL
 SHOULDER SCREWS: STAINLESS STEEL

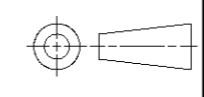
3. FINISH:
 CONTACTS SIZE #12 : GOLD .000005 MIN THK.
 OVER NICKEL .00040 MIN THK.
 CONTACTS SIZE #20 : SILVER .000200 MIN THK.
 OVER NICKEL .00040 MIN THK.
 CROWN BAND: GOLD .000030 MIN THK.
 OVER NICKEL .00040 MIN THK.

△ ITEMS PROVIDED TO THIS SPECIFICATION TO BE PERMANENTLY IDENTIFIED PER THE FOLLOWING IDENTIFIER:



△ CRIMP CONTACTS AND SHOULDER SCREWS (ITEMS B THRU D) SHALL BE PACKAGED SEPARATELY AND PLACED IN THE BOX WITH THE CONN. ASSEMBLY.

△ 5	D	2	1650106-1	SCREW, SHOULDER, 6-32 THD
△ 5	C	8	1648384-1	CONTACT, SOCKET, #12, CRIMP, HP
△ 5	B	7	1648325-1	CONTACT, SOCKET, #20, CRIMP
	A	1	1648206-2	HOUSING, PIN, FLOAT MOUNT

ITEM	-1	PART NUMBER	DESCRIPTION
<small>THIS DRAWING IS A CONTROLLED DOCUMENT FOR TYCO ELECTRONICS CORPORATION. IT IS SUBJECT TO CHANGE AND THE CONTROLLING ENGINEERING ORGANIZATION SHOULD BE CONTACTED FOR THE LATEST REVISION.</small>			
DIMENSIONS: INCHES 		TOLERANCES UNLESS OTHERWISE SPECIFIED: 0 PLC ± 1 PLC ± 2 PLC ±.02 3 PLC ±.010 4 PLC ± ANGLES ±.5 FINISH	
MATERIAL		DWN: R. GRZYBOWSKI 7MAY07 CHK: D. ORRIS 7MAY07 APVD: S. FLICKINGER 7MAY07 PRODUCT SPEC: - APPLICATION SPEC: - WEIGHT: - CUSTOMER DRAWING	
ELCON DRAWER		NAME: CONNECTOR ASSEMBLY SOCKET 75 AMP, MIDDLE DRAWER tyco Electronics Tyco Electronics Harrisburg, PA 17105-3608 SIZE: A2 CAGE CODE: 00779 DRAWING NO: 1643837 RESTRICTED TO: - SCALE: 3:1 SHEET 2 OF 2 REV A	

Mouser Electronics

Authorized Distributor

Click to View Pricing, Inventory, Delivery & Lifecycle Information:

[TE Connectivity:](#)

[1643837-1](#)