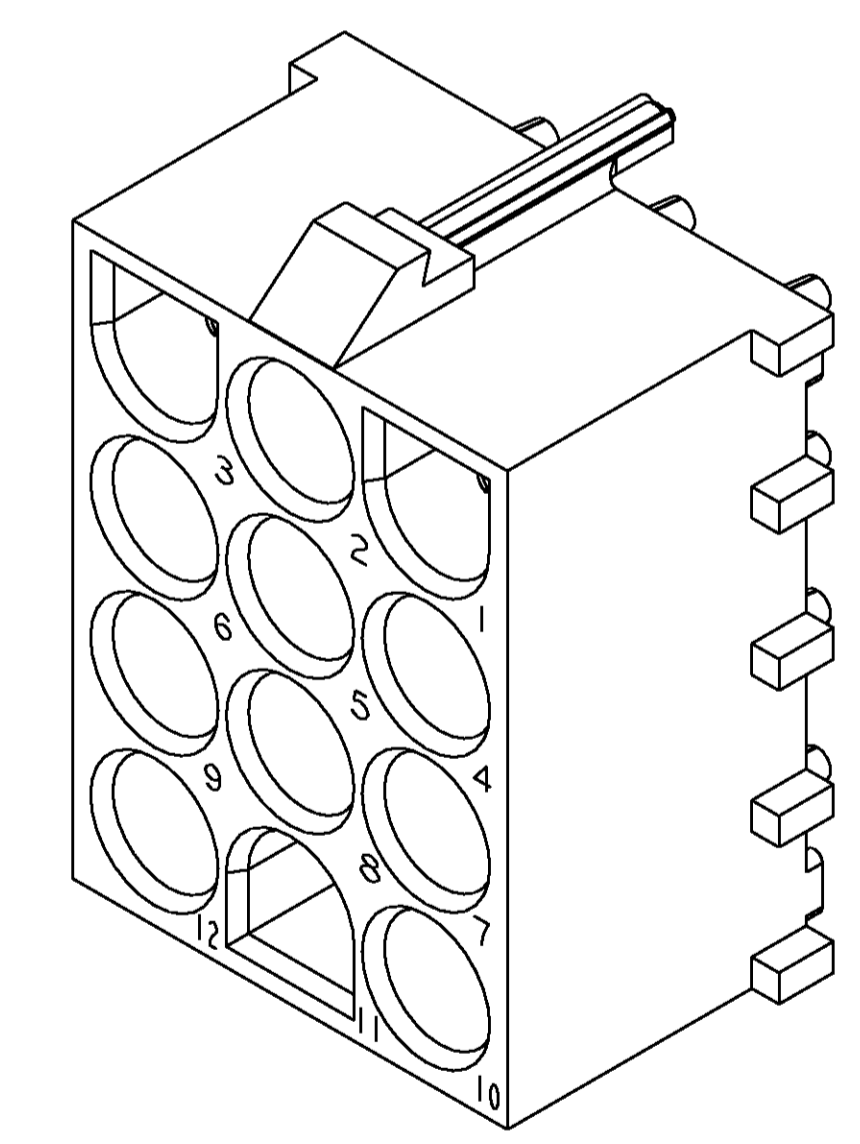
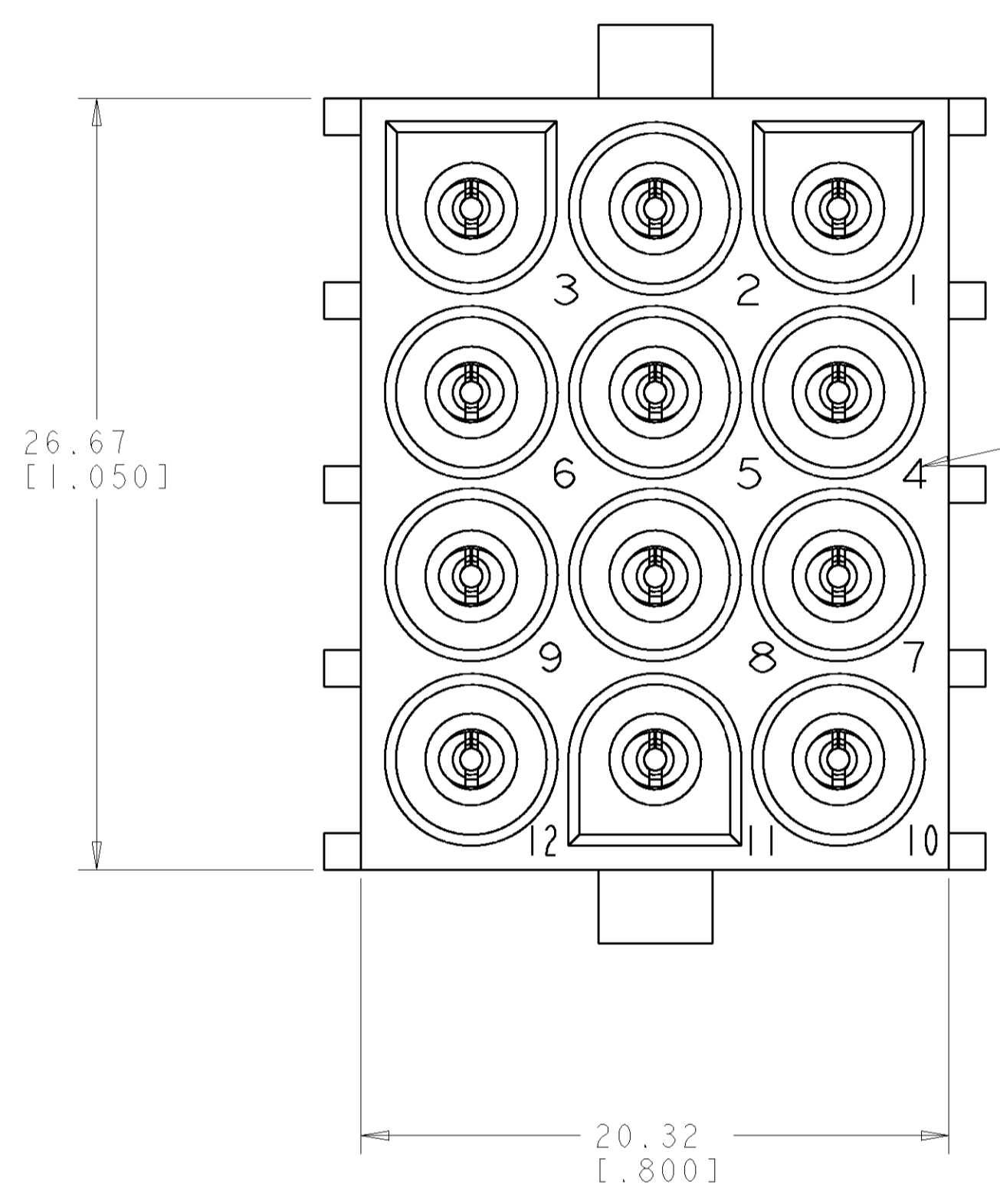
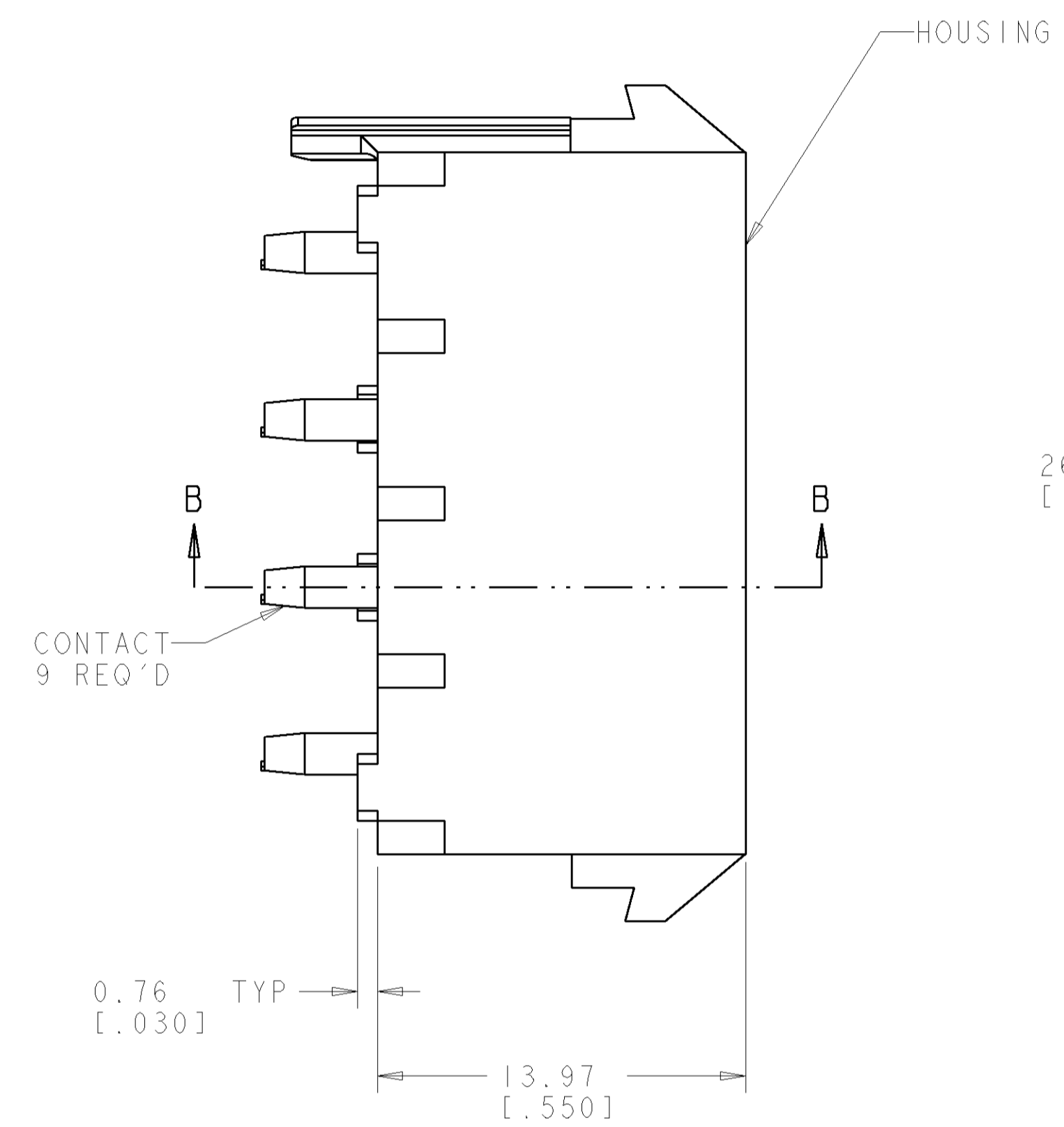
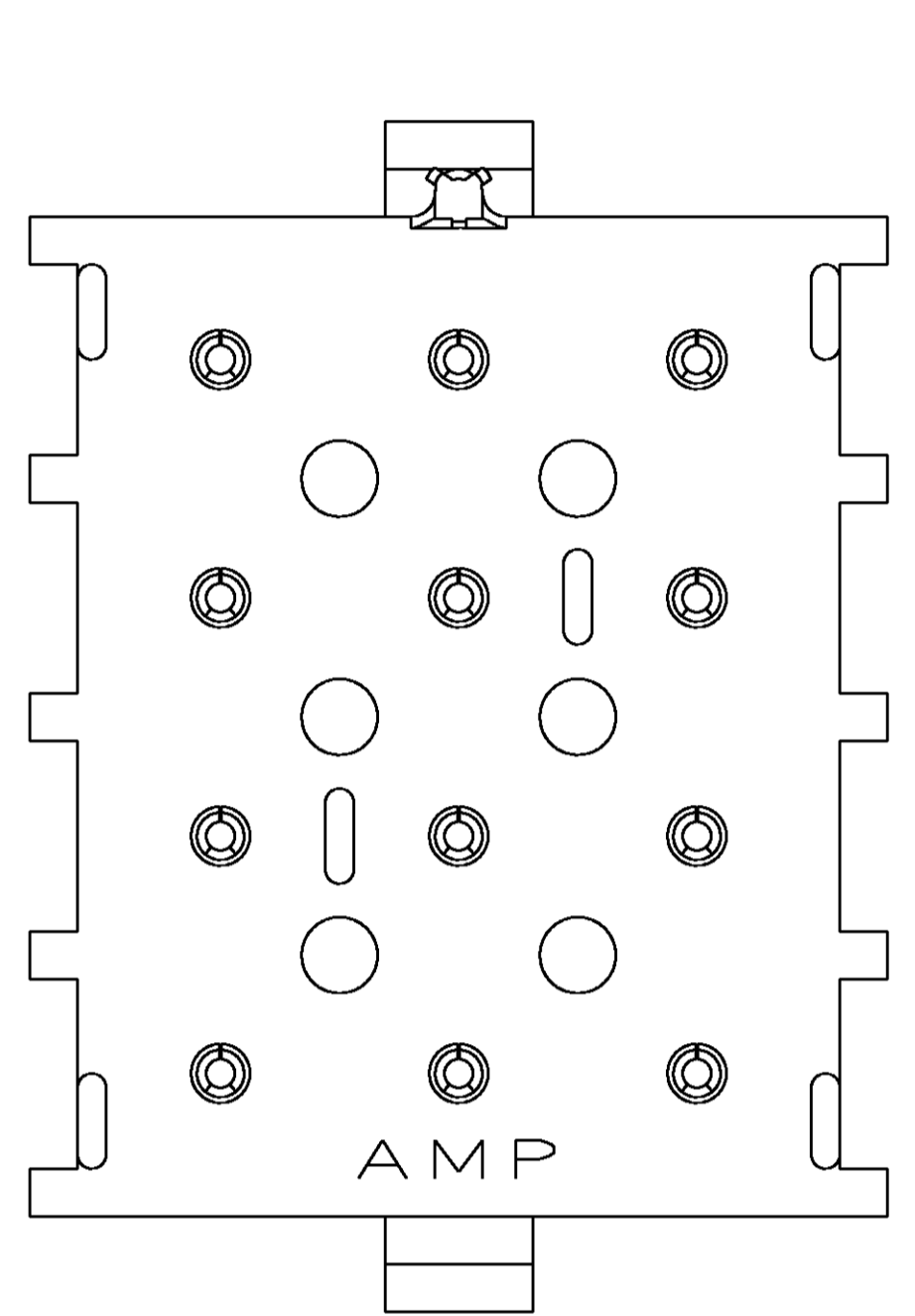
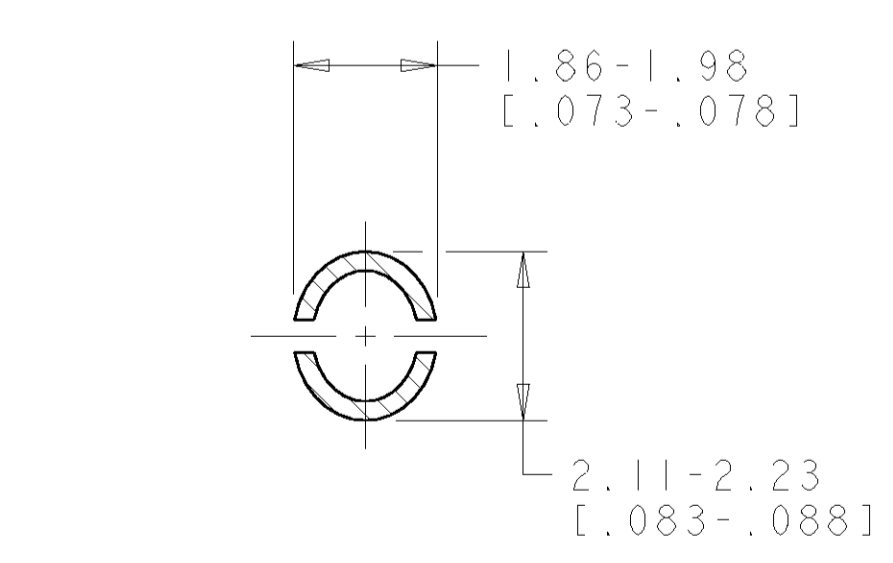
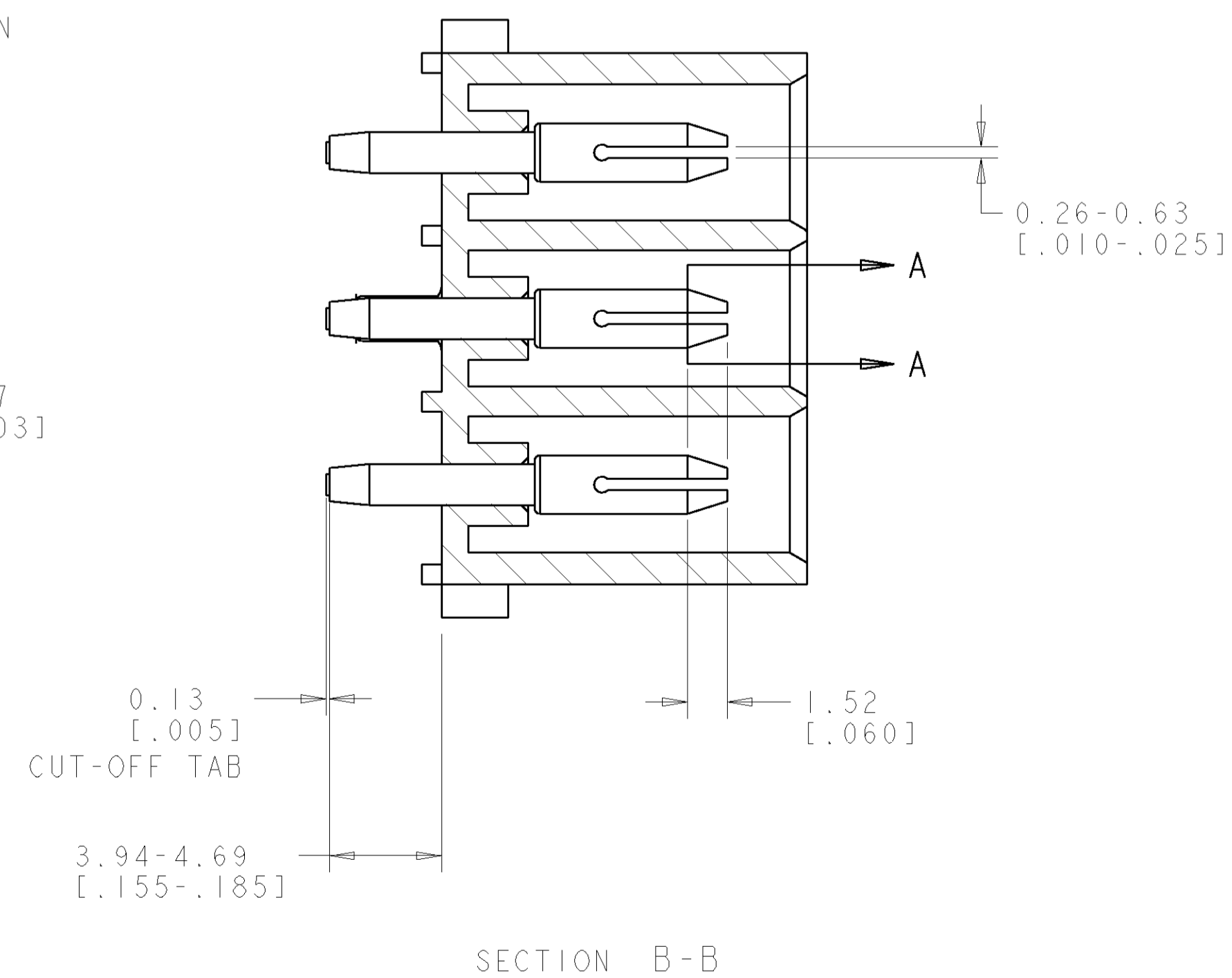
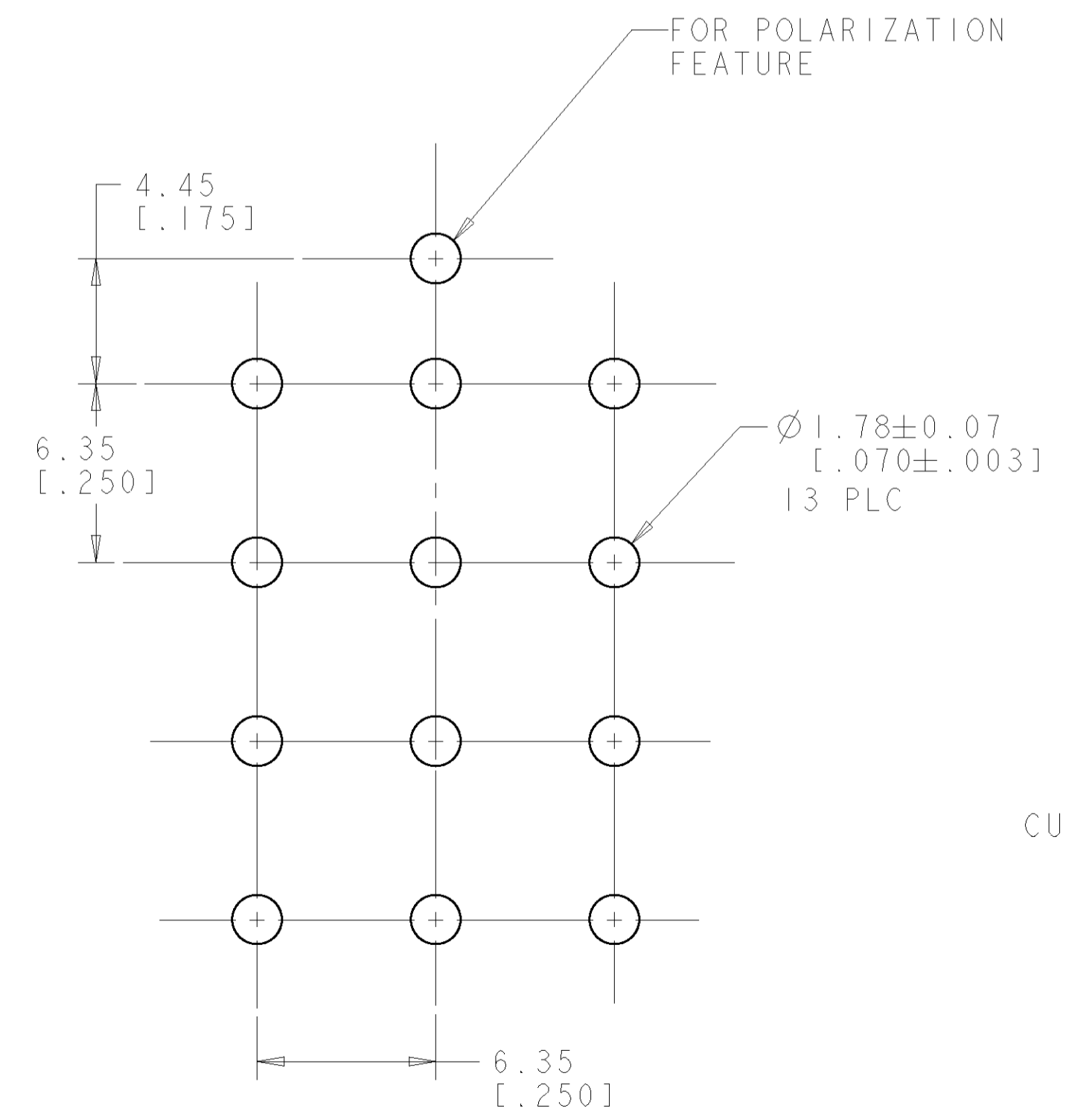


LOC		DIST		REVISIONS			
CM	00	P	LTR	DESCRIPTION	DATE	DWN	APVD
		0		REVISED PER 0638-0667-03	09-SEP-03	KW	SR

- PARTS COMPLY TO AMP SOLDERABILITY SPECIFICATION 109-11-3.
- CIRCUIT IDENTIFICATION CHARACTERS ARE ADJACENT TO THE INDICATED CAVITIES, BUT LOCATION AND ORIENTATION MAY DIFFER FROM PRINT.
- DIMENSIONS IN BRACKETS ARE IN INCHES.

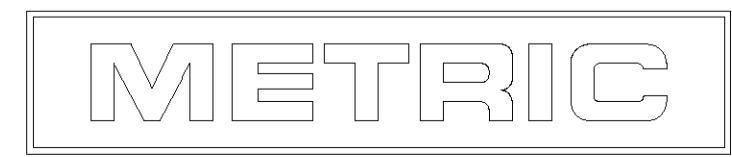


3 DIMENSIONAL MODEL  
SCALE 4:1



SECTION A-A  
SCALE 10:1

PHOSPOR BRONZE, PRE-TIN PIN CONTACT MATERIAL AND FINISH	NYLON, UL94V-2, NATURAL HOUSING MATERIAL AND COLOR	1586092-1 PART NUMBER
DIMENSIONS: mm [INCHES] TOLERANCES UNLESS OTHERWISE SPECIFIED: 0 PLC ± 1 PLC ± 2 PLC ±0.13 (.005) 3 PLC ± 4 PLC ± ANGLES ±40° 30'		DWN R. WHITAKER 24-MAR-2003 ENR S. RIDGILL 24-MAR-2003 APVD S. RIDGILL 24-MAR-2003 PRODUCT SPEC APPLICATION SPEC WEIGHT FINISH SEE TABLE
MATERIAL SEE TABLE FINISH SEE TABLE		Tyco Electronics Harrisburg, PA 17105-3608 NAME PIN HEADER ASSEMBLY, POLARIZED, 12 CIRCUIT, W/O DRAIN HOLES, UNIVERSAL MATE-N-LOK™ SIZE CAGE CODE DRAWING NO. RESTRICTED TO A1 00779 C=1586092 CUSTOMER DRAWING SCALE 5:1 SHEET 1 OF 1 REV 0



# Mouser Electronics

Authorized Distributor

Click to View Pricing, Inventory, Delivery & Lifecycle Information:

[TE Connectivity:](#)

[1586092-1](#)