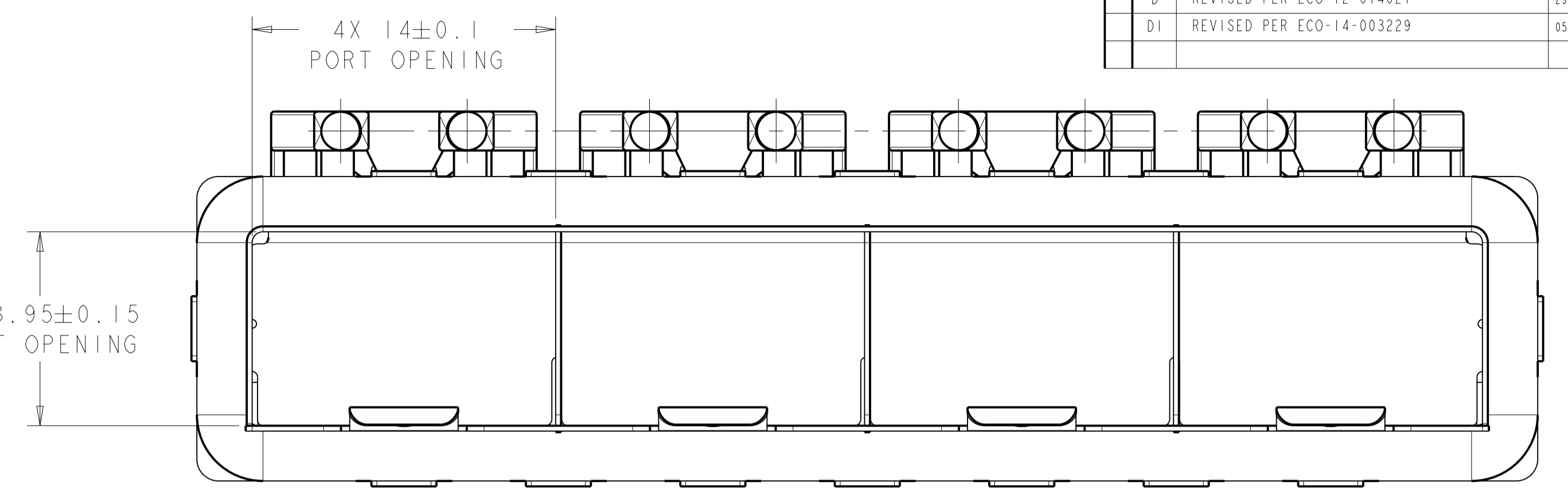
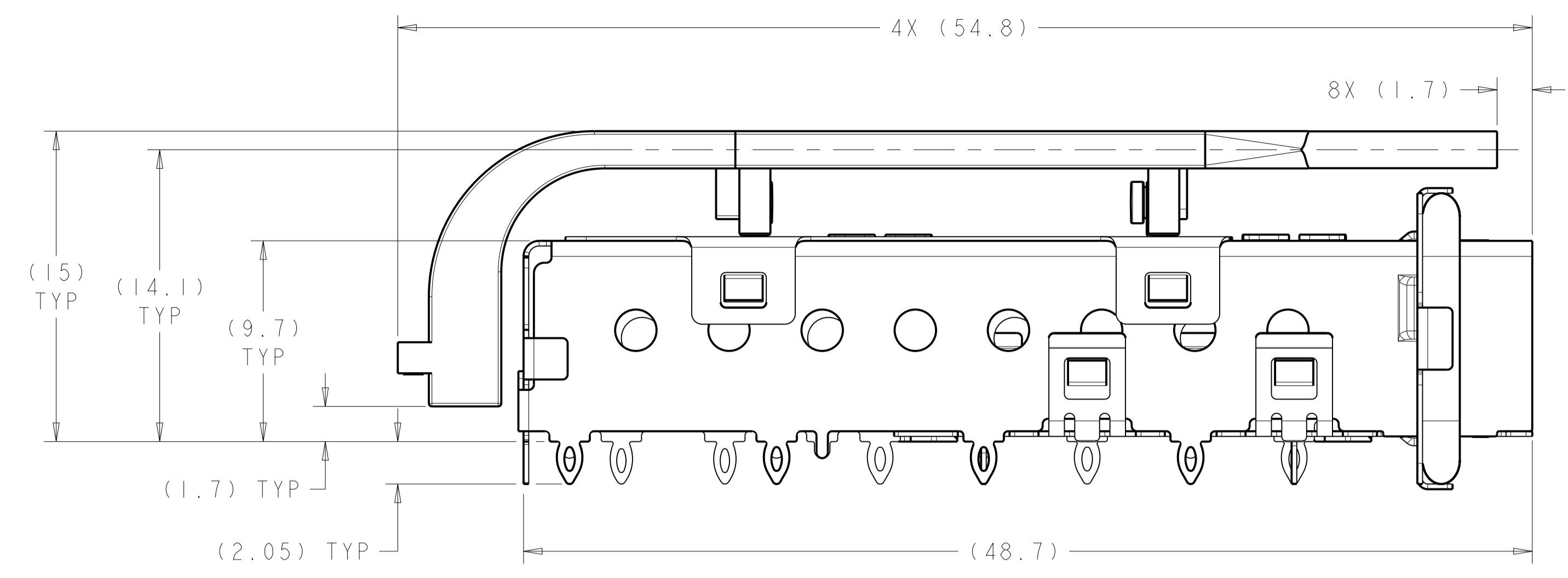
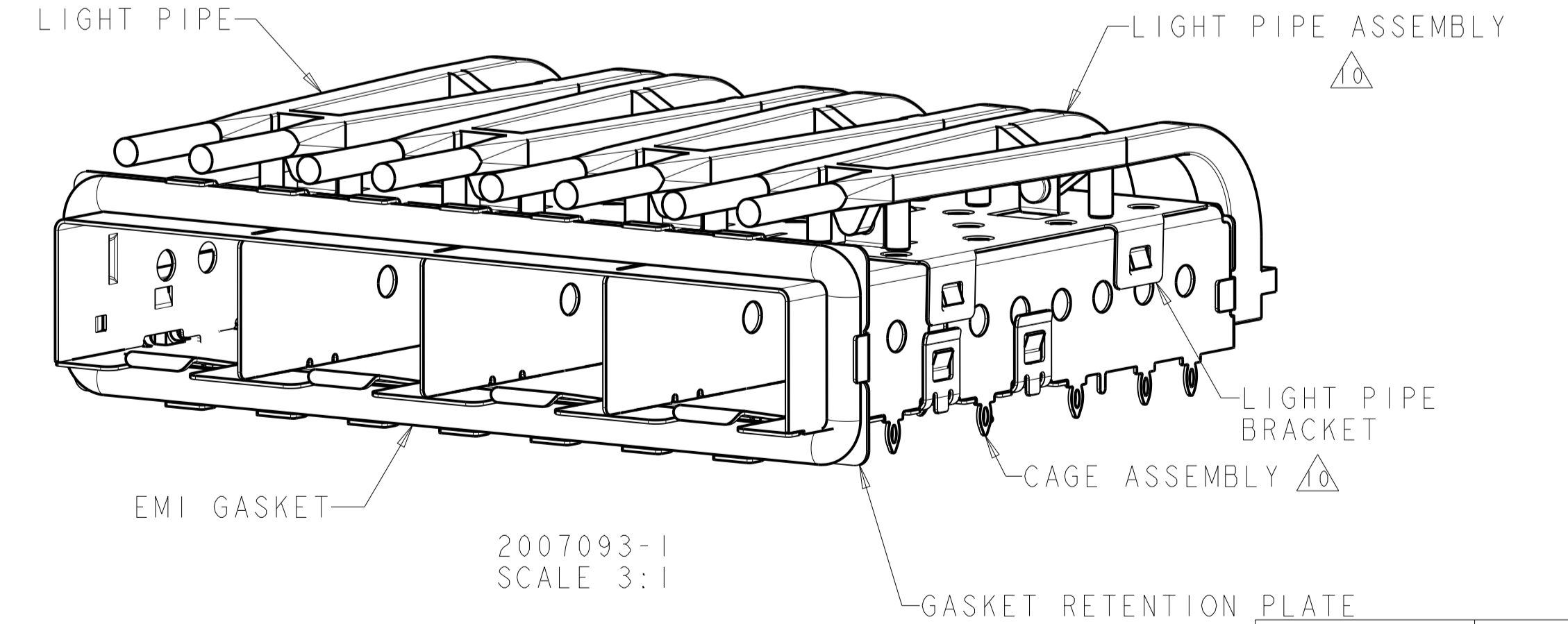
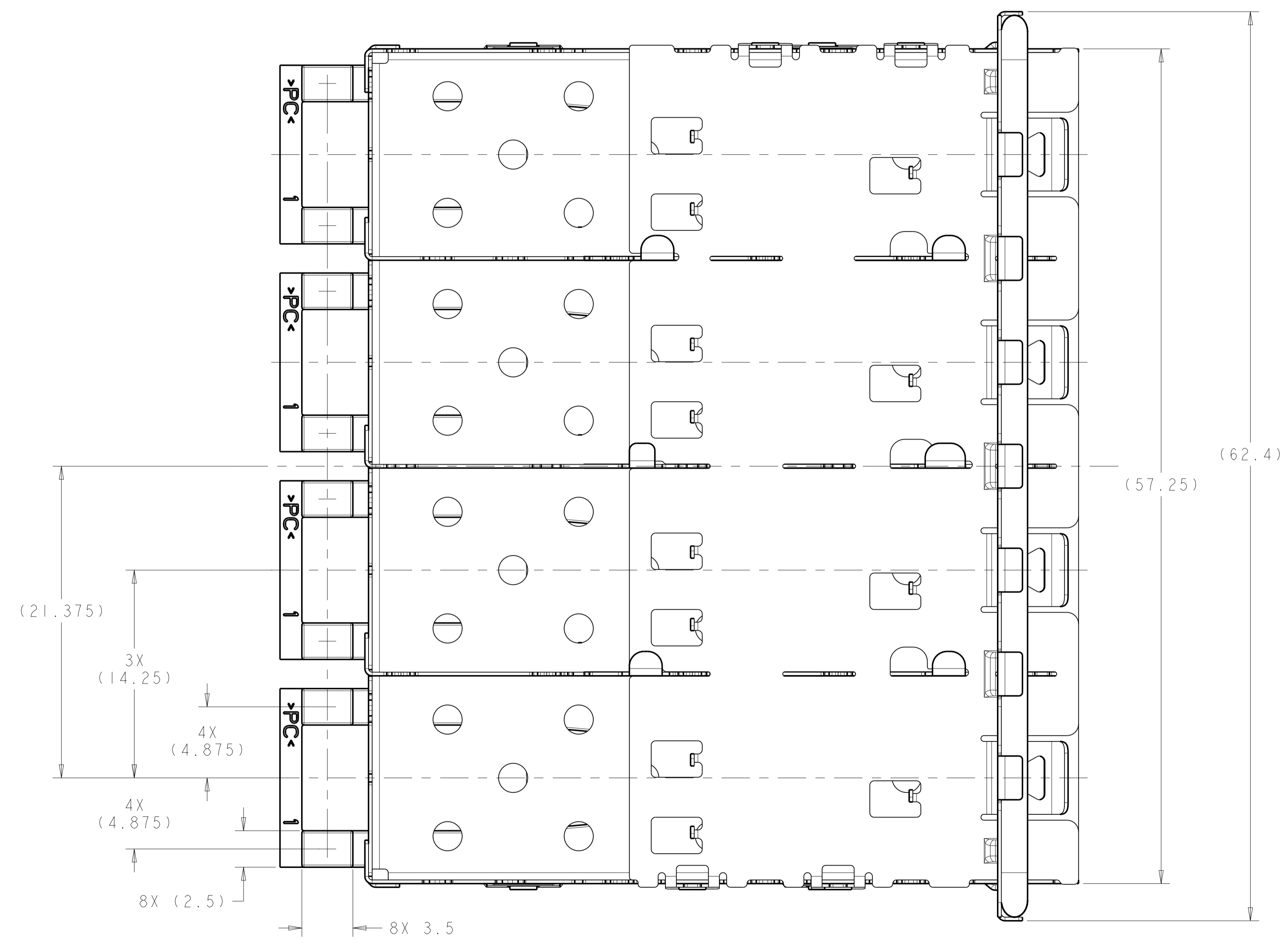


LOC	DIST	REVISIONS					
GP	00	P	LTN	DESCRIPTION	DATE	DWN	APVD
		C		REVISED PER ECO-10-004036	01MAR2010	CJV	MRS
		D		REVISED PER ECO-12-014021	29SEP2012	TD	AC
		D1		REVISED PER ECO-14-003229	05MAR2014	PP	SH



- MATERIAL:**
 CAGE ASSEMBLY - 0.25mm THICK NICKEL SILVER ALLOY
 GASKET RETENTION PLATE - STAINLESS STEEL
 GASKET - PLATED FILLED SILICONE
 LIGHT PIPE BRACKET - STAINLESS STEEL
 LIGHT PIPE - POLYCARBONATE, CLEAR
- 2. MINIMUM PC BOARD THICKNESS = 1.50mm.
 - 3. PADS AND VIAS CHASSIS GROUND.
 - 4. DATUM AND BASIC DIMENSION ESTABLISHED BY CUSTOMER.
 - 5. MATES WITH SFP MSA COMPLIANT TRANSCEIVERS.
 - 6. INTERPRETATION OF DATUM REFERENCE FRAME IN ACCORDANCE WITH SECT 4.4.1.1 OF ASME Y14.5M-1994.
- 1. REFERENCE APPLICATION SPEC. 114-13120, HOLE A, FOR RECOMMENDED DRILL HOLE DIAMETER AND PLATING THICKNESS.
 - 2. REFERENCE APPLICATION SPEC. 114-13120, HOLE B, FOR RECOMMENDED DRILL HOLE DIAMETER AND PLATING THICKNESS.
 - 3. HOLE PATTERN REPEATS FOR EACH PORT. SPACING BETWEEN PORTS IS 14.25mm.
 - 4. LIGHT PIPE ASSEMBLY SHIPPED UNASSEMBLED TO CAGE ASSEMBLY. CAGE ASSEMBLY TO BE PRESSED INTO THE PCB PRIOR TO ATTACHING THE LIGHT PIPE ASSEMBLY TO THE CAGE.
11. PRODUCT COMPLIES WITH SPECIFICATION SFF-8433 IMPROVED PLUGGABLE FORM FACTOR FOR SFP+ GANGED CAGES.



2007093-1
SCALE 3:1

P/N:2007093-1 AS SHOWN

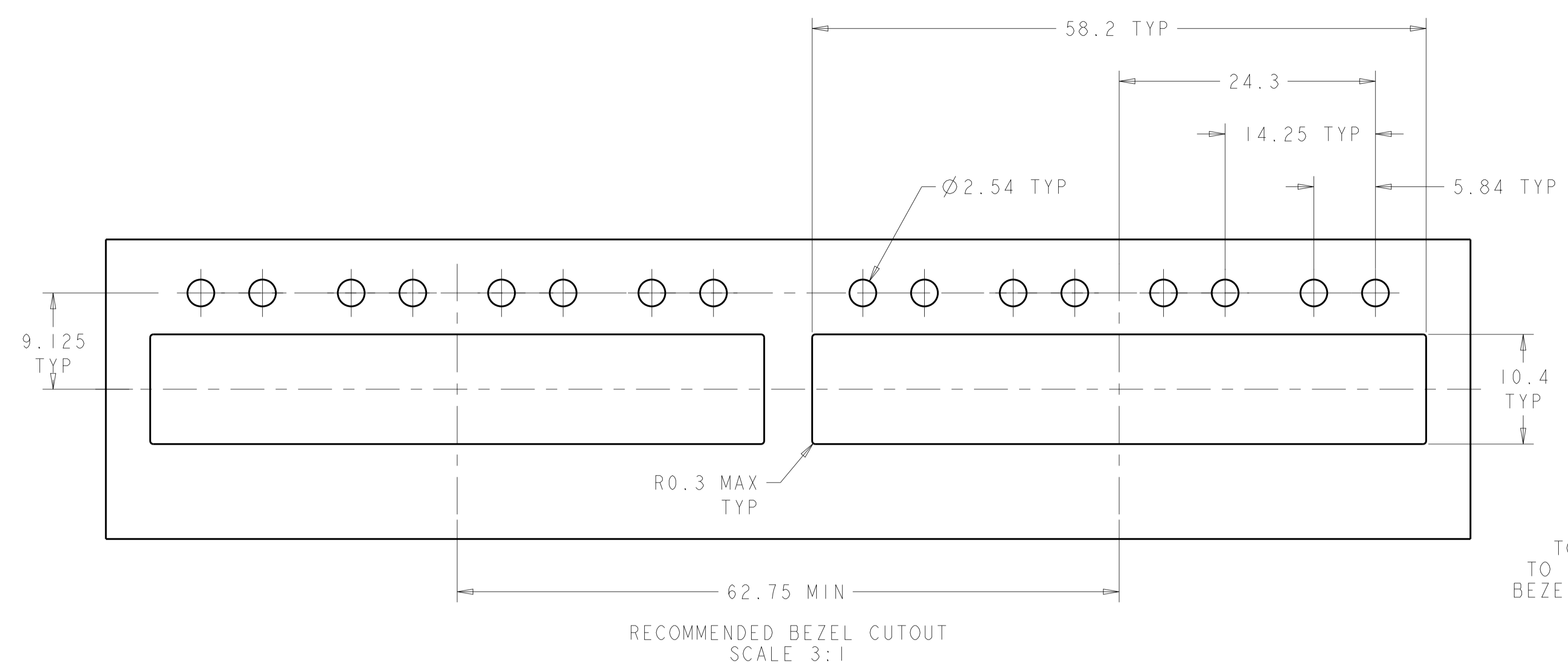
51.30	2007093-2
53.10	2007093-1
LIGHT PIPE LENGTH	PART NUMBER

THIS DRAWING IS A CONTROLLED DOCUMENT.

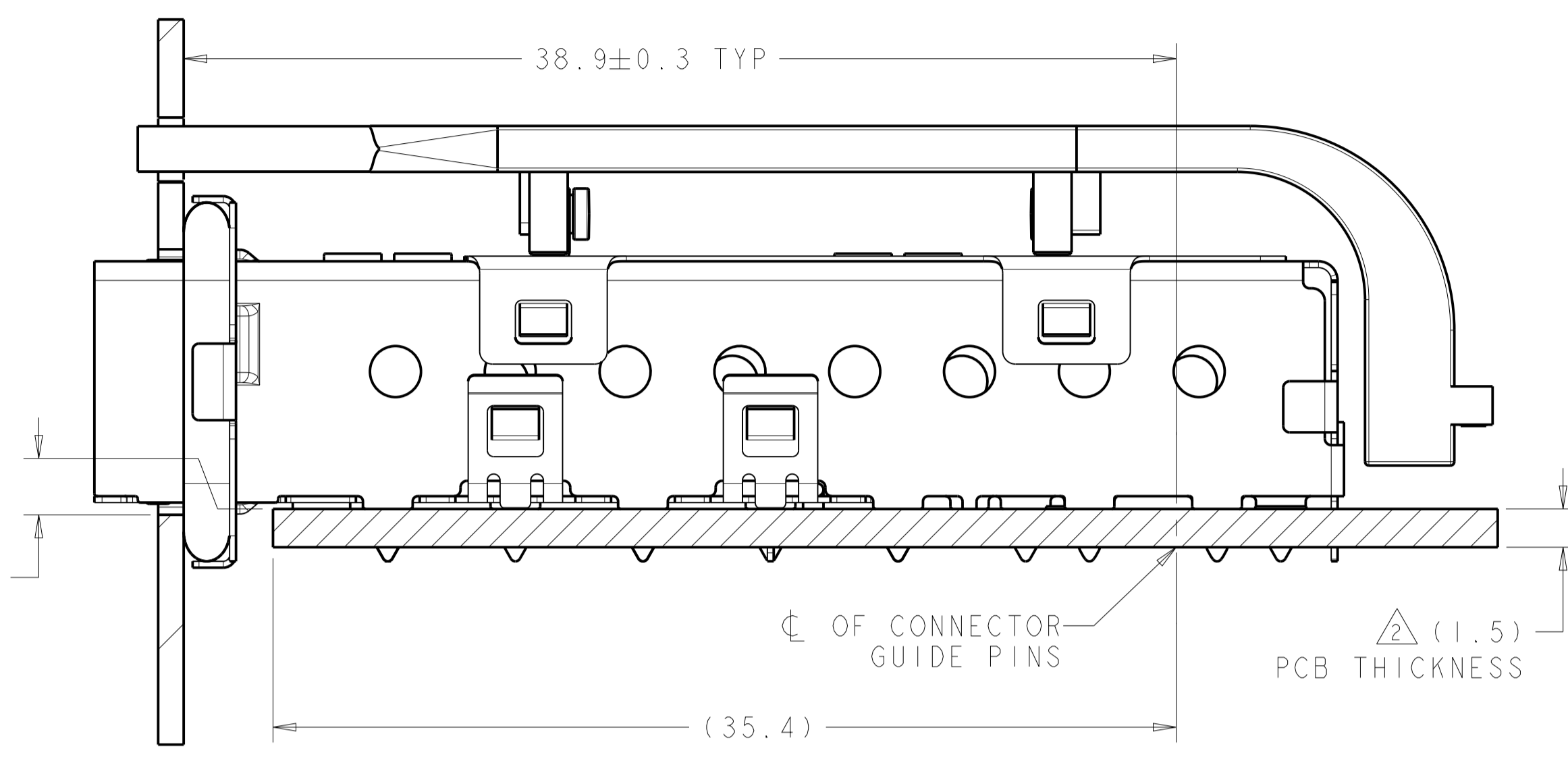
DIMENSIONS:	TOLERANCES UNLESS OTHERWISE SPECIFIED:	DWN: M. SCHMITT 21JUN2007	CHK: M. SCHMITT 21JUN2007	APVD: B. WERTZ 21JUN2007	NAME: SFP+ 1X4 CAGE ASSEMBLY PRESS FIT, EMI GASKET WITH LIGHT PIPES
mm	0 PLC ±0.1 1 PLC ±0.1 2 PLC ±0.1 3 PLC ±0.1 4 PLC ±0.1 ANGLES ±0.1	PRODUCT SPEC: 108-2364	APPLICATION SPEC: 114-13120	WEIGHT: -	SIZE: A1
MATERIAL:	FINISH: -	Customer Drawing	SCALE: 5:1	SHEET: 1 OF 3	REV: D1

Customer Drawing

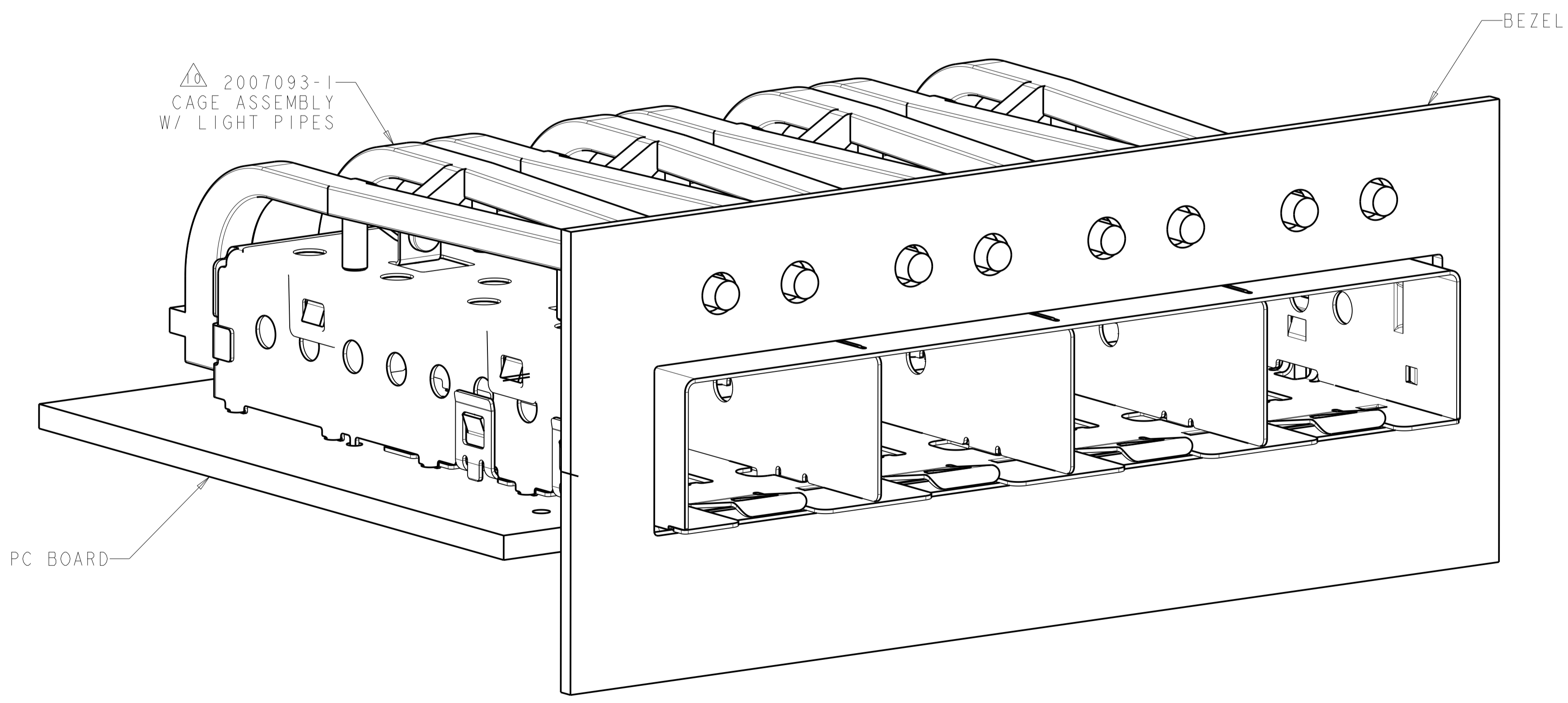
LOC	DIST	REVISIONS			
GP	00	REV	DATE	BY	APPV
-	-	SEE SHEET 1	-	-	-



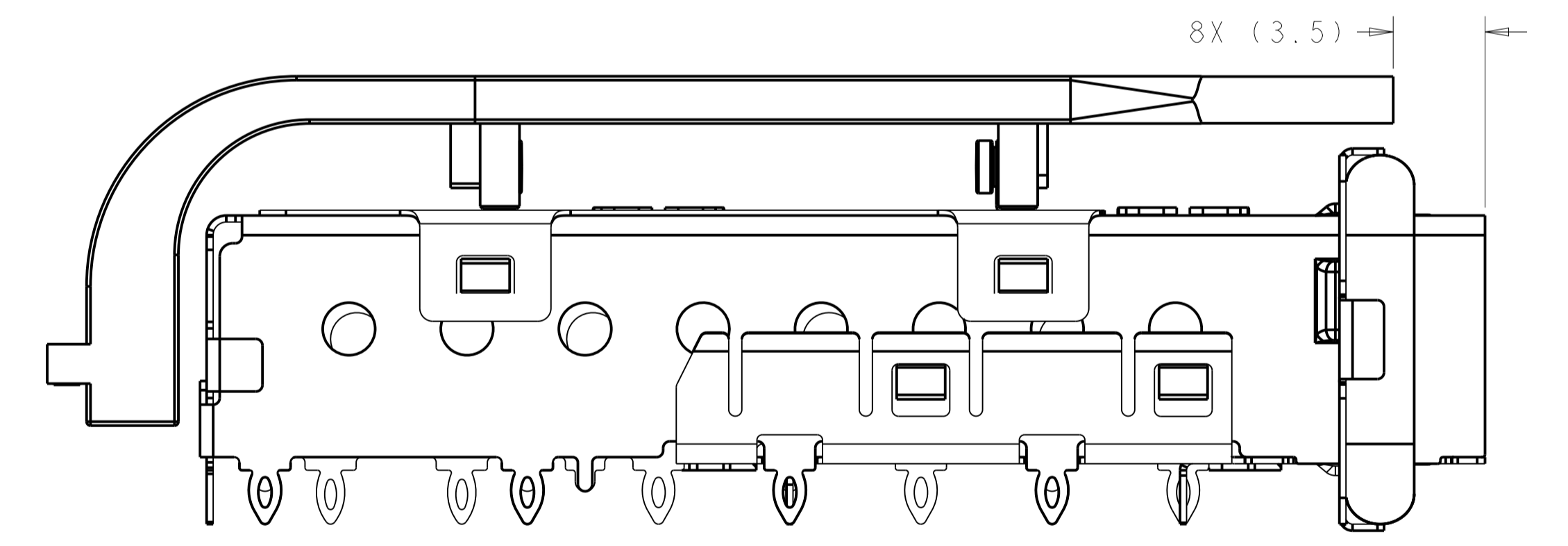
0.23^{+0.10}_{-0.14}
TOP OF PCB
TO INSIDE OF
BEZEL CUT-OUT



2007093-1
MOUNTED ON PC BOARD SHOWN
THRU RECOMMENDED BEZEL



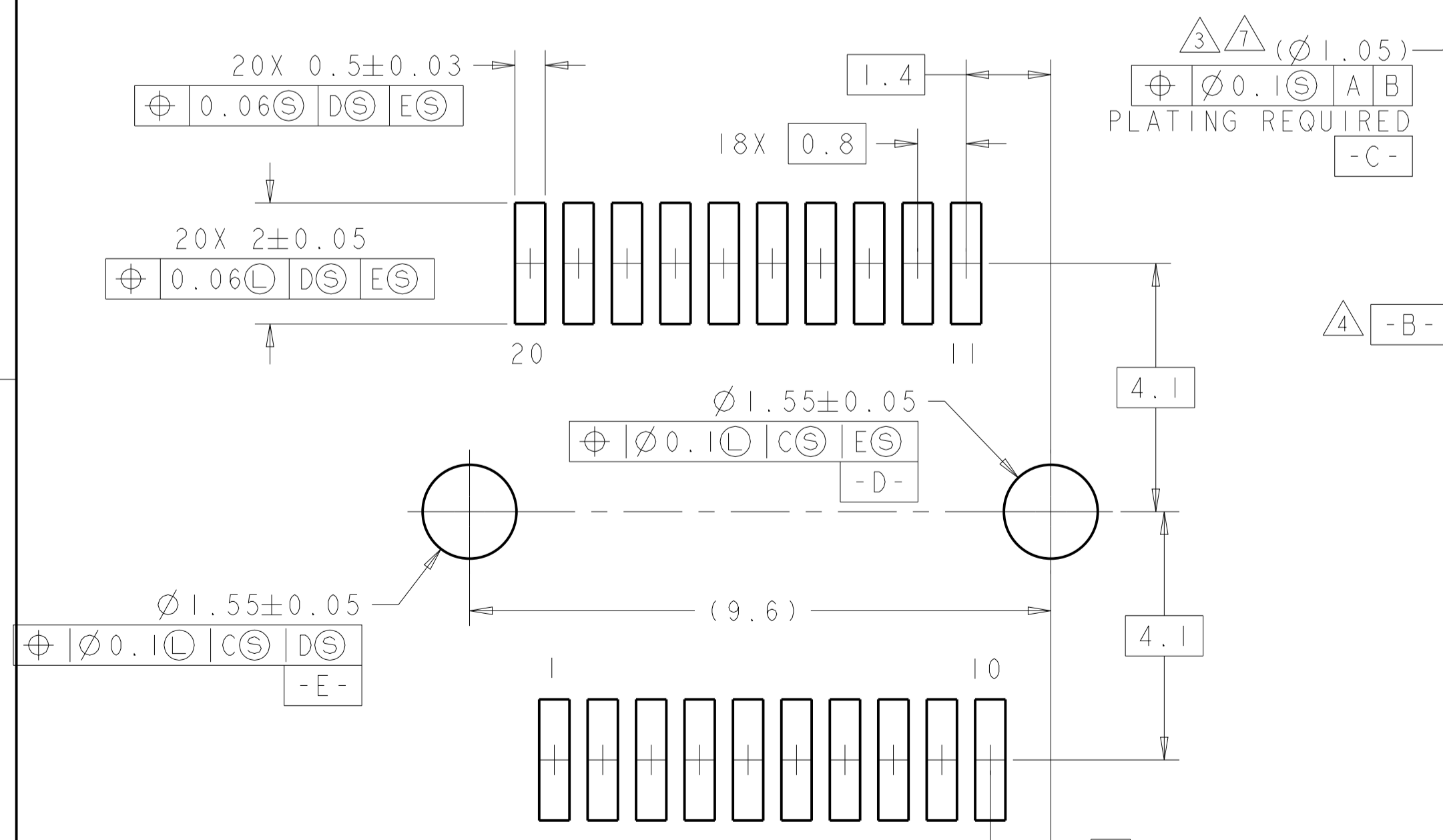
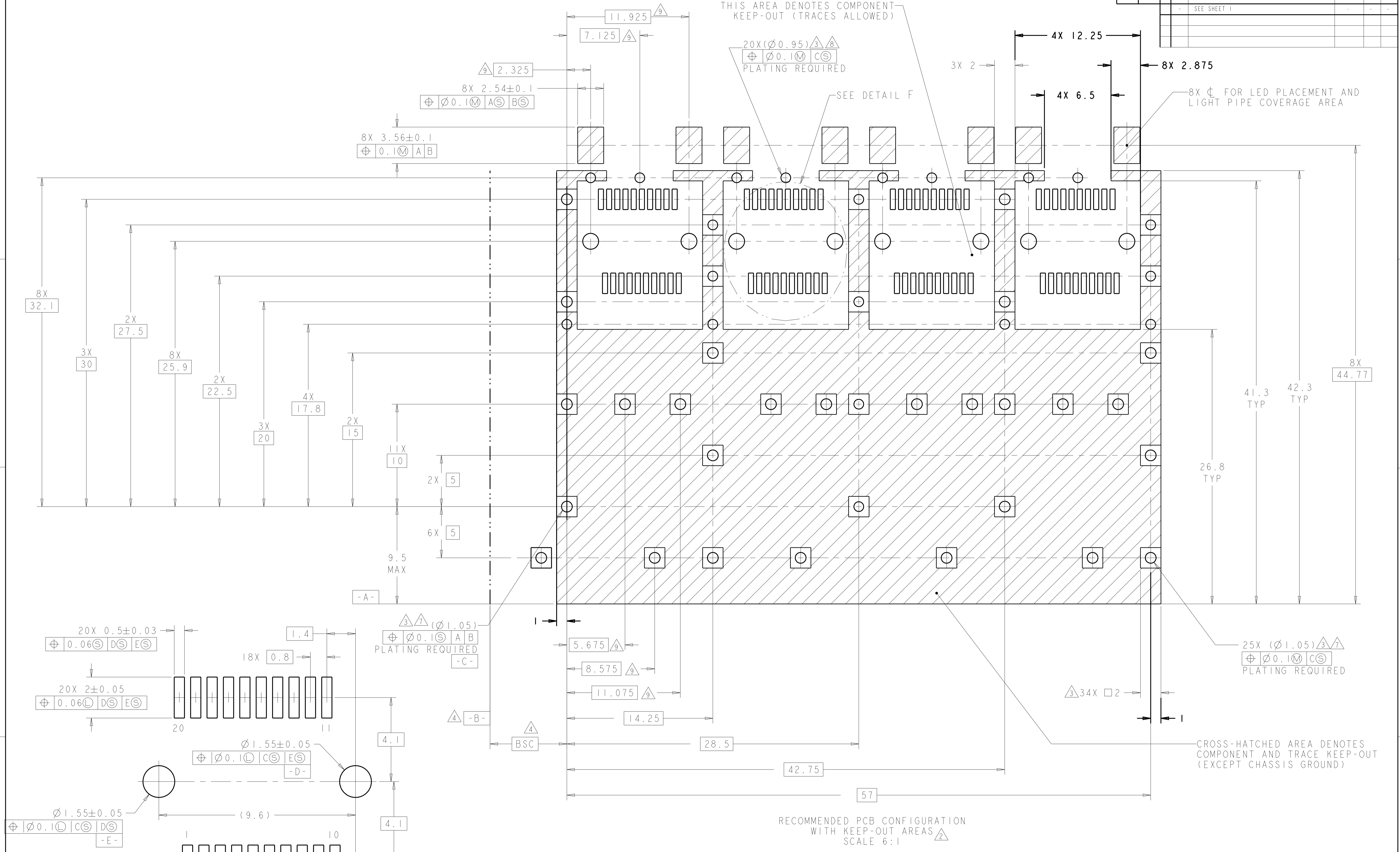
2007093-1
MOUNTED ON PC BOARD SHOWN
THRU RECOMMENDED BEZEL



P/N:2007093-2 AS SHOWN
UNSPECIFIED DIMENSIONS REFER TO PN 2007093-1

THIS DRAWING IS A CONTROLLED DOCUMENT.		OWN: M. SCHMITT 21JUN2007	TE Connectivity
DIMENSIONS: mm		CHK: M. SCHMITT 21JUN2007	
TOLERANCES UNLESS OTHERWISE SPECIFIED:		APPV: B. WERTZ 21JUN2007	NAME: SFP+ 1X4 CAGE ASSEMBLY PRESS FIT, EMI GASKET WITH LIGHT PIPES
0 PLC	±0.1	PRODUCT SPEC	RESTRICTED TO
1 PLC	±0.1	108-2364	
2 PLC	±0.1	APPLICATION SPEC	
3 PLC	±0.1	114-13120	
4 PLC	±0.1	WEIGHT	
ANGLES	±1°	Customer Drawing	
MATERIAL		SCALE 5:1	SHEET 2 OF 3
FINISH			REV D1

LOC	DIST	REVISIONS			
GP	00	REV	DATE	BY	APPV
		1	SEE SHEET 1		



DETAIL F
RECOMMENDED PT CONNECTOR LAYOUT
4X INDIVIDUALLY
SCALE 12:1

RECOMMENDED PCB CONFIGURATION
WITH KEEP-OUT AREAS
SCALE 6:1

THIS DRAWING IS A CONTROLLED DOCUMENT.		OWN: M. SCHMITT 21JUN2007	TE Connectivity
DIMENSIONS: mm		CHK: M. SCHMITT 21JUN2007	
TOLERANCES UNLESS OTHERWISE SPECIFIED:		APPV: B. WERTZ 21JUN2007	NAME: SFP+ 1X4 CAGE ASSEMBLY PRESS FIT, EMI GASKET WITH LIGHT PIPES
0 PLC	±0.1	PRODUCT SPEC	SIZE: CAGE CODE DRAWING NO. RESTRICTED TO
1 PLC	±0.1	108-2364	A100779C=2007093
2 PLC	±0.1	APPLICATION SPEC	SCALE: 5:1 SHEET 3 OF 3 REV: 1
3 PLC	±0.1	114-13120	
4 PLC	±0.1	WEIGHT	
ANGLES	±1°	Customer Drawing	

Mouser Electronics

Authorized Distributor

Click to View Pricing, Inventory, Delivery & Lifecycle Information:

[TE Connectivity:](#)

[2007093-1](#)