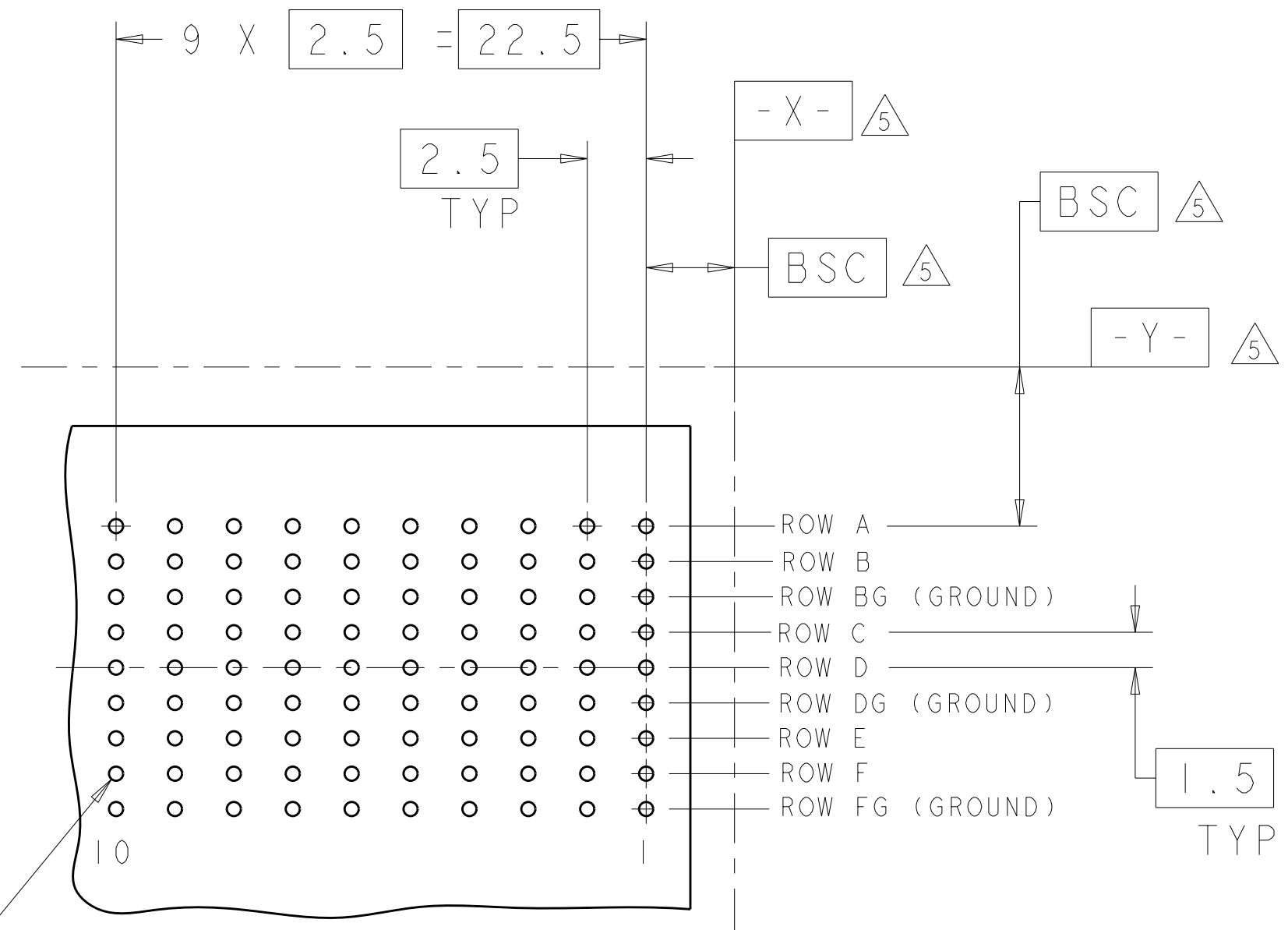
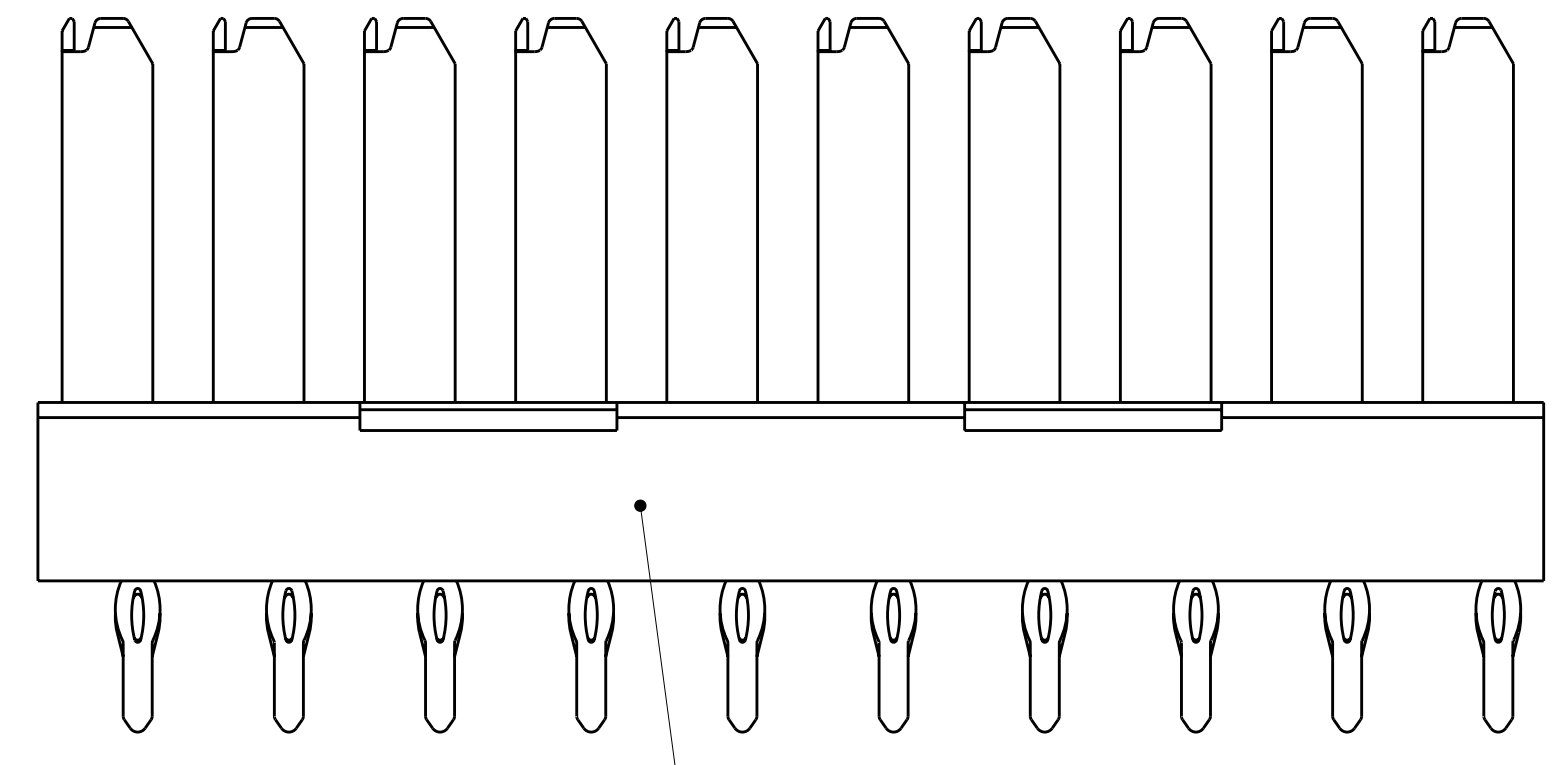
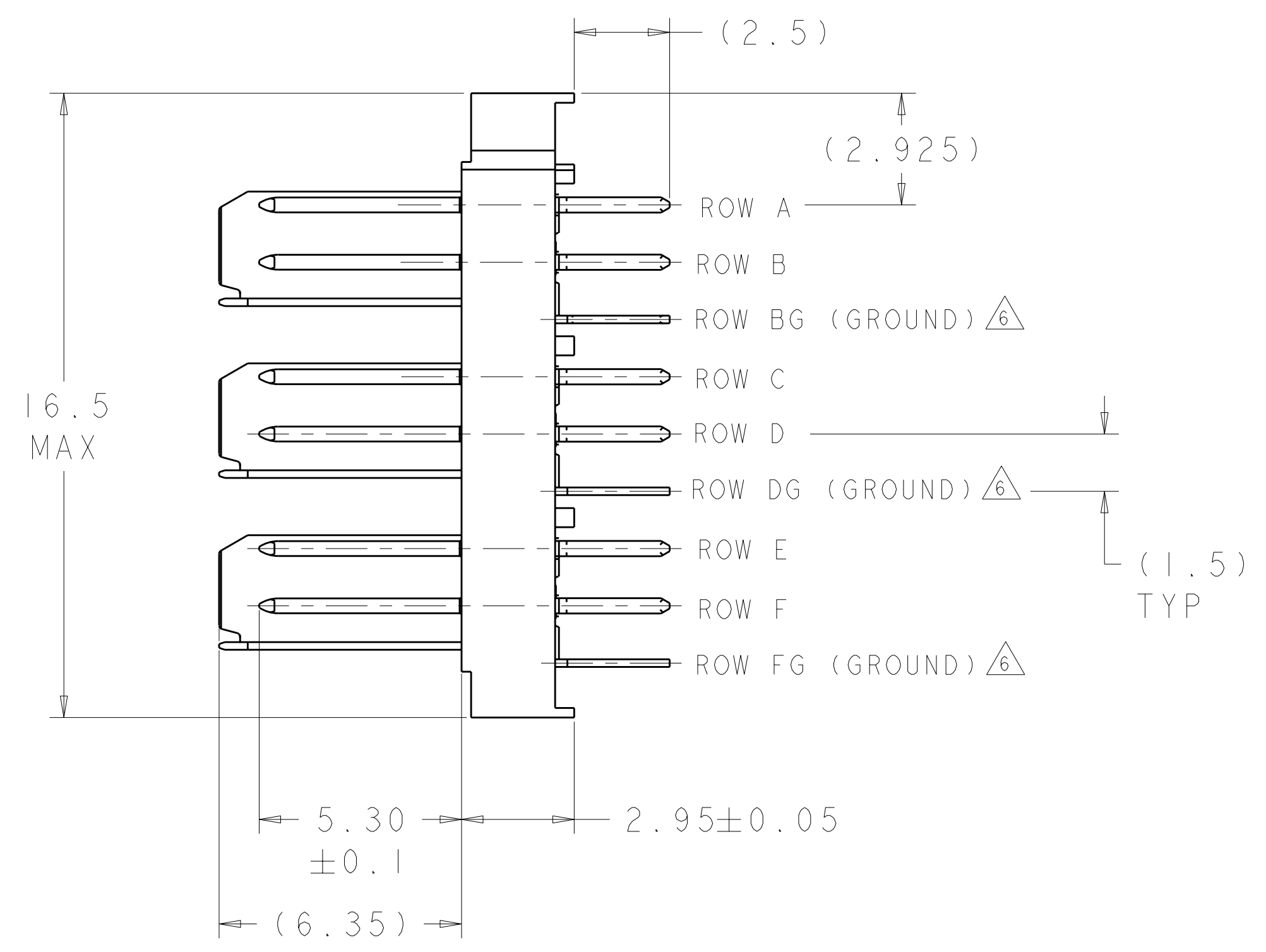
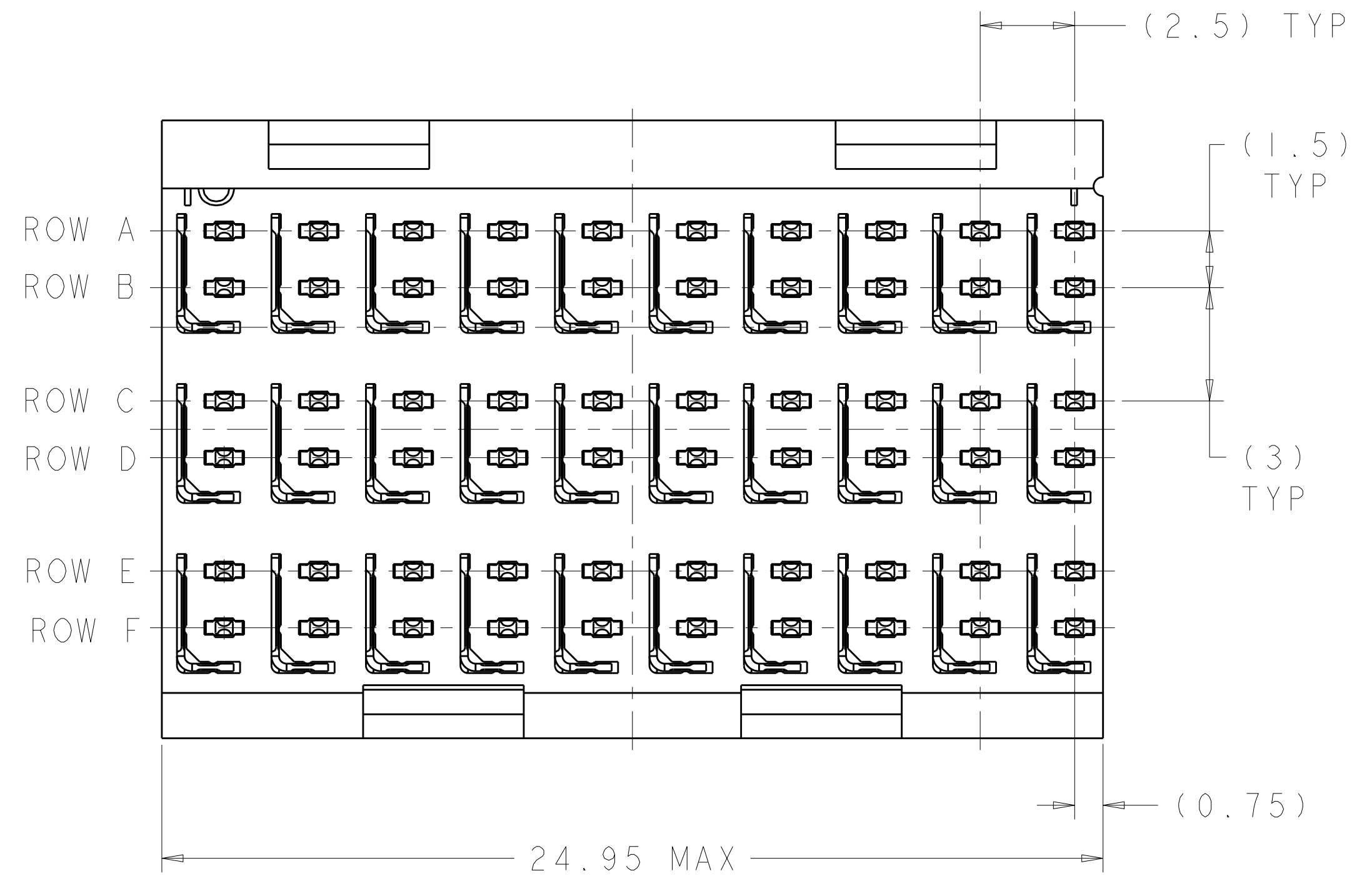


LOC	DIST	REV	DATE	BY	APPD
AD	00	A	01FEB2010	BY	CY



⊕ | Ø0.05(S) | X | Y
 ALL PLATED THRU HOLES

RECOMMENDED PC BOARD LAYOUT, BACKPLANE, COMPONENT SIDE SHOWN SCALE 4:1

- 1 REFERENCE APPLICATION SPEC 114-13059 FOR RECOMMENDED PLATED THRU HOLE DIAMETER AND PLATING THICKNESSES.
- 2 MATERIAL: CONTACT AND SHIELD - PHOSPHOR BRONZE HOUSING - GLASS FILLED POLYESTER, UL 94V-0.
- 3 FINISH: CONTACT AND SHIELD MATING AREA - 1.27µm MIN GOLD OVER 1.27µm MIN NICKEL COMPLIANT PIN AREA - 0.5µm MIN BRIGHT TIN-LEAD OVER 1.27µm MIN NICKEL
- 4 CONNECTOR MARKED WITH PART NUMBER AND DATE CODE.
- 5 DATUMS AND BASIC DIMENSIONS ESTABLISHED BY CUSTOMER.
- 6 THE THREE GROUNDS IN EACH COLUMN ARE COMMONED.
- 7. CONTACT AREA LUBRICATED WITH BELLCORE APPROVED LUBRICANT. TECHNICAL REFERENCE: GR-1217-CORE, ISSUE 1, NOVEMBER 1995.
- 8 FINISH: CONTACT AND SHIELD MATING AREA - 1.27µm MIN GOLD OVER 1.27µm MIN NICKEL COMPLIANT PIN AREA - 0.5µm MIN TIN OVER 1.27µm MIN NICKEL

RoHS	⚠	2000673-2
NON-RoHS	⚠	2000673-1
COMMENTS	CONTACT PLATING	ASSEMBLY NUMBER

DIMENSIONS: mm TOLERANCES UNLESS OTHERWISE SPECIFIED: 9 PLC ± 5 PLC ± 4 PLC ± ANGLES ± MATERIAL FINISH SEE TABLE		DWN Brent D. 01FEB2010 CHY CHONG YI 01FEB2010 APVD M.R. McALONIS 01FEB2010 PRODUCT SPEC APPLICATION SPEC WEIGHT CUSTOMER DRAWING	Tyco Electronics Harrisburg, PA 17105-3608 NAME: HEADER ASSEMBLY, 3 PAIR, 2.5mm TAIL, 25mm, HMZd SIZE: A1 CAGE CODE: 00779 DRAWING NO: C=2000673 SCALE: 8:1 SHEET: 1 OF 1 REV: A
--	--	--	--

Mouser Electronics

Authorized Distributor

Click to View Pricing, Inventory, Delivery & Lifecycle Information:

[TE Connectivity:](#)

[2000673-2](#)