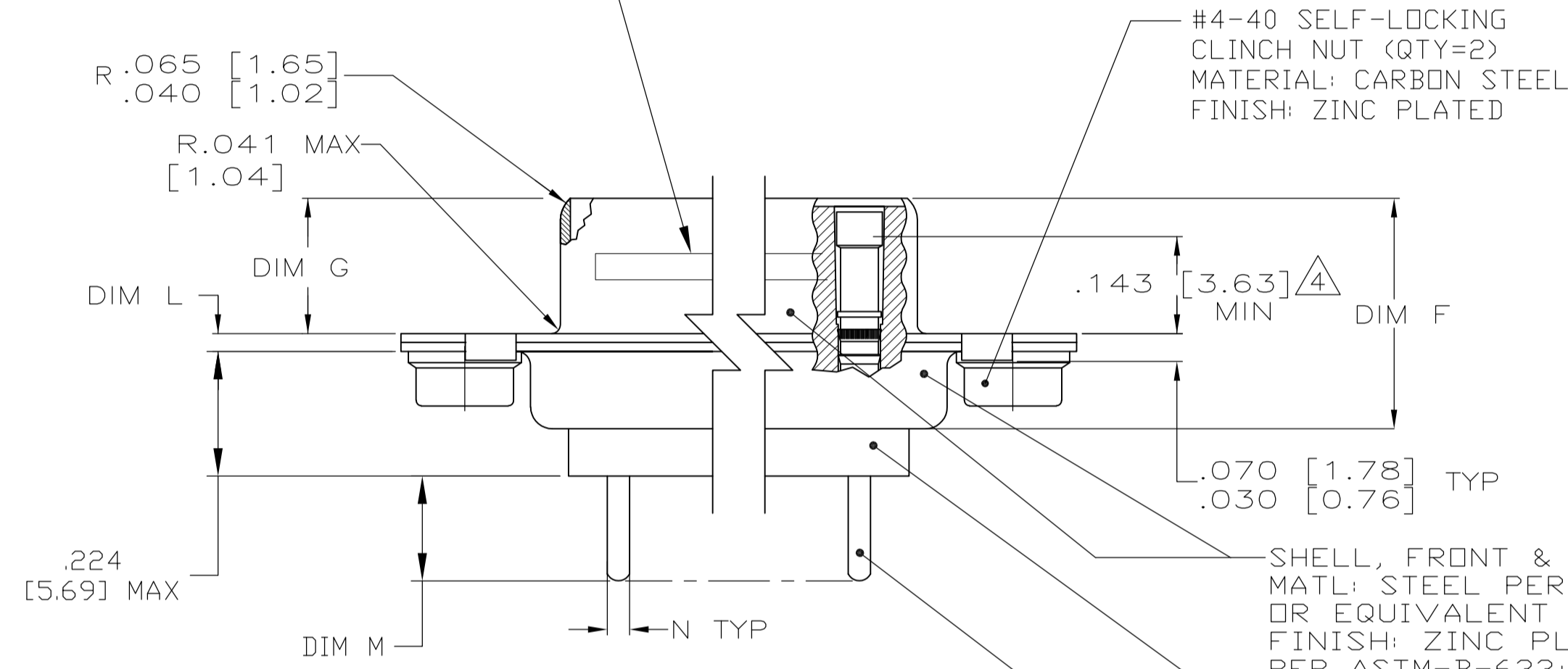


- ⚠ FOR RECOMMENDED P.C. BOARD LAYOUT. TRUE POSITION TOLERANCE FOR P.C. BOARD LAYOUT IS .010 [0.25] AT MAX MATERIAL CONDITION. SUGGESTED BOARD THICKNESS IS .094 [2.39]
- 2. THE CONNECTORS DESCRIBED IN THIS DOCUMENT WILL MATE WITH ANY PLUG CONNECTOR WITH THE SAME INSERT ARRANGEMENT.
- ⚠ MARKED WITH .047 [1.19]-.062 [1.57] HIGH CHARACTERS. FAR SIDE REFERS TO THE WIDE SIDE OF THE KEYSTONE. NEAR SIDE REFERS TO THE NARROW SIDE OF THE KEYSTONE. IF THE FRONT SHELL IS TOO SMALL FOR MFG NAME, BRAND NAME OR LOGO, MFG PART NUMBER AND DATE CODE, THEN SPLIT AS FOLLOWS:
 - A. MFG PART NUMBER ON REAR SHELL, NEAR SIDE.
 - B. MFG NAME, BRAND NAME OR LOGO AND DATE CODE ON FRONT SHELL, NEAR SIDE.
- ⚠ POINT OF ELECTRICAL ENGAGEMENT - AS MEASURED WITH A .0390 [0.991]-.0393 [0.998] DIA SQUARE ENDED TEST PIN.
- ⚠ SPACERS (QTY 2) ARE SUPPLIED WITH CONNECTORS (NOT ATTACHED TO THE CONNECTOR).

MANUFACTURER'S NAME, BRAND NAME OR LOGO, MFG. PART NUMBER AND DATE CODE MARKED ON FAR SIDE

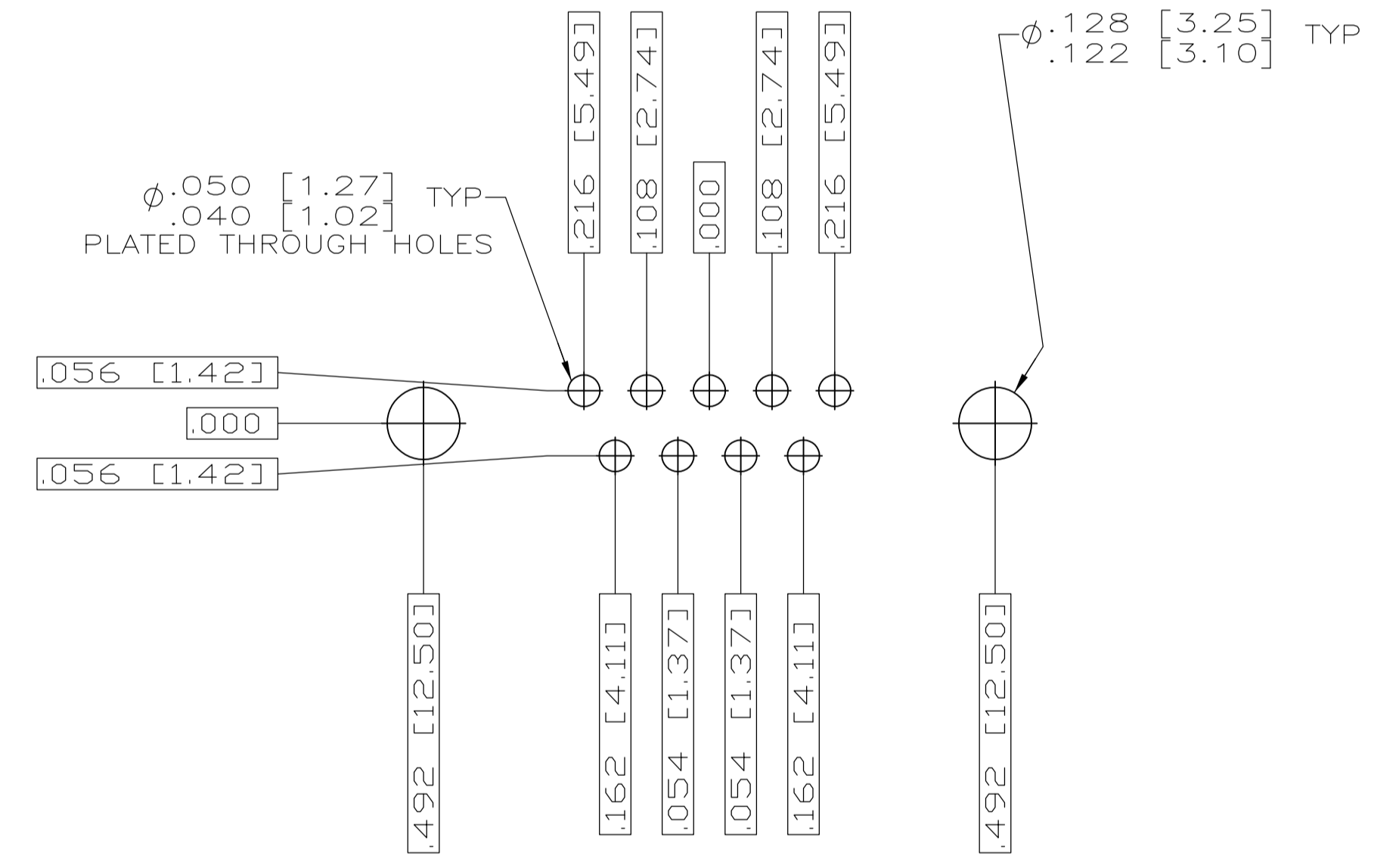


#4-40 SELF-LOCKING CLINCH NUT (QTY=2)
 MATERIAL: CARBON STEEL
 FINISH: ZINC PLATED

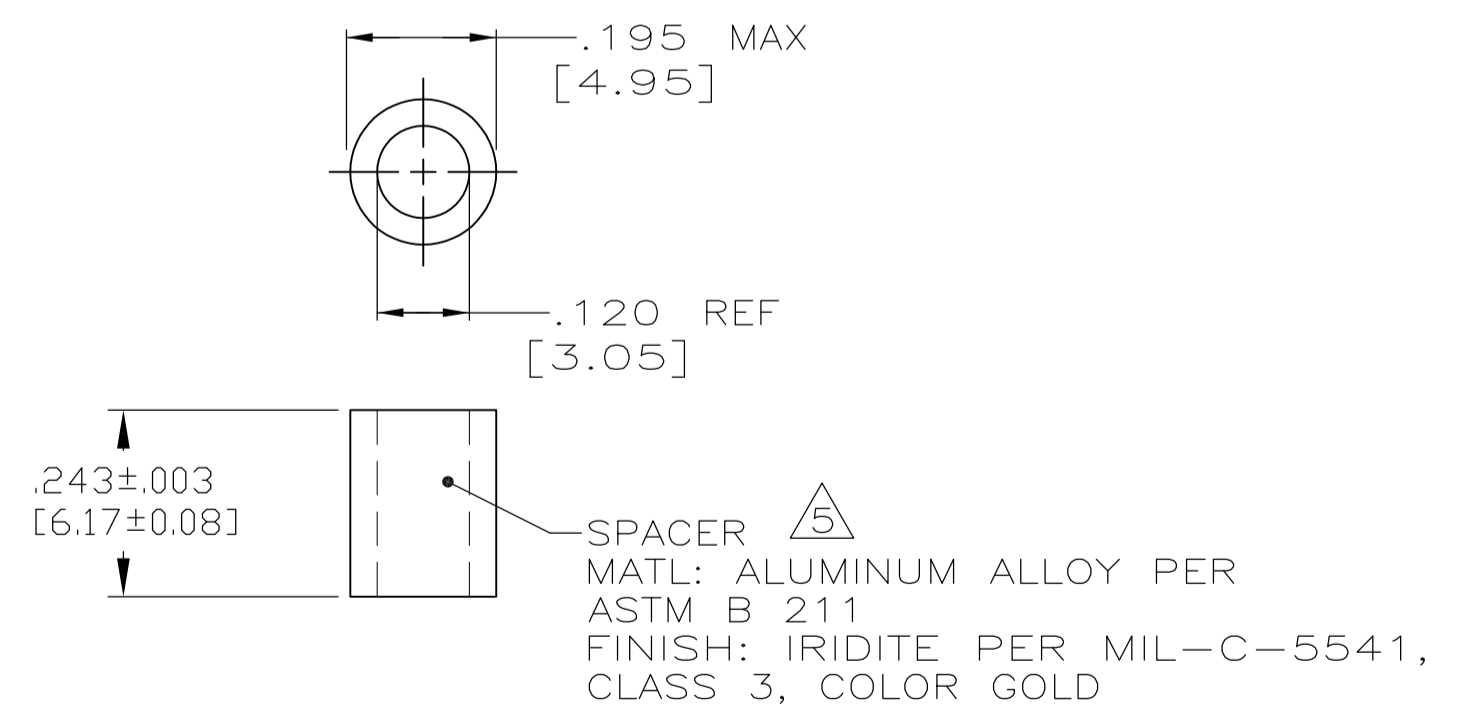
SHELL, FRONT & REAR
 MATL: STEEL PER ASTM-A-109 OR EQUIVALENT
 FINISH: ZINC PLATED .000200 [0.0050] MIN THICK PER ASTM-B-633; YELLOW CHROMATE

INSERT ASSEMBLY
 MATL: POLYPHENYLENE SULFIDE (PPS) PER MIL-M-24519, TYPE: GST-40F OR POLYESTER PER MIL-M-24519, TYPE: GLCP-30F, OR PPS PER ASTM D4067, COLOR, BLACK

CONTACT
 MAT'L: BRASS ALLOY OR BERYLLIUM COPPER
 FINISH: GOLD PER MIL-G-45204, TYPE II, GRADE C, CLASS 1 IN CONTACT MATING AREA, .000010 MIN GOLD PER MIL-G-45204 ON CONTACT BODY ALL OVER NICKEL PER QQ-N-290, .000050 MIN THICK



RECOMMENDED P.C. BOARD LAYOUT
 SHELL SIZE 1 (9 POSITION)



.033 [0.84] .027 [0.69]	.176 [4.47] .136 [3.45]	.040 [1.02] .020 [0.51]	.432 [10.97] .412 [10.46]	.769 [19.53] .749 [19.02]	.248 [6.30] .238 [6.05]	.439 [11.15] .419 [10.64]	.509 [12.93] .479 [12.17]	.316 [8.03] .306 [7.77]	.989 [25.12] .979 [24.87]	.648 [16.46] .638 [16.21]	1.228 [31.19] 1.198 [30.43]	MS18273-1	9	1	1996840-1
N	M	L	J	H	G	F	E	D	C	B	A	INSERT ARRANGEMENT	NO OF POS	SHELL SIZE	PART NUMBER

THIS DRAWING IS A CONTROLLED DOCUMENT.

DIMENSIONS: INCHES [mm]	TOLERANCES UNLESS OTHERWISE SPECIFIED:	DWG: C.C. THOMAS 7-28-08	REV: R. LEASE 7-28-08	APVD: R. LEASE 7-28-08	NAME: Tyco Electronics Corporation Harrisburg, PA 17105-3608
0 PLC ± -	1 PLC ± -	2 PLC ± -	3 PLC ± -	4 PLC ± -	ANGLES ± -
MATERIAL: SEE CALLOUTS	FINISH: SEE CALLOUTS	WEIGHT: -	SIZE: A1	CAGE CODE: 00779	DRAWING NO: 1996840
CUSTOMER DRAWING			SCALE: 4:1	SHEET: 1 OF 1	REV: A

AMPLIMITE RECEPTACLE ASSY, LOW PROFILE
 SIZE 20 POSTED P.C. BOARD CONTACTS
 SERIES 109, SIZE 1

Mouser Electronics

Authorized Distributor

Click to View Pricing, Inventory, Delivery & Lifecycle Information:

[TE Connectivity:](#)

[1996840-1](#)