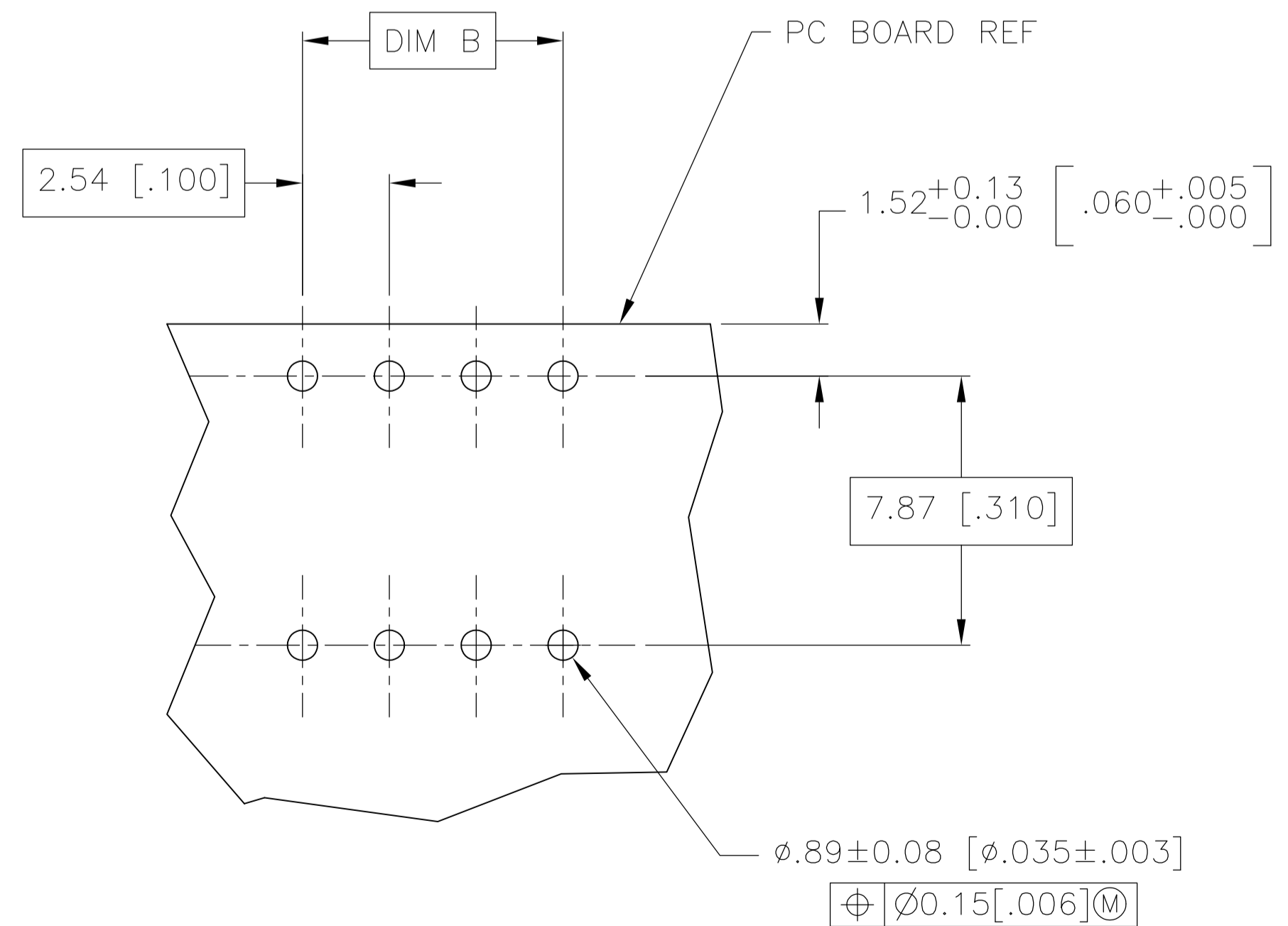
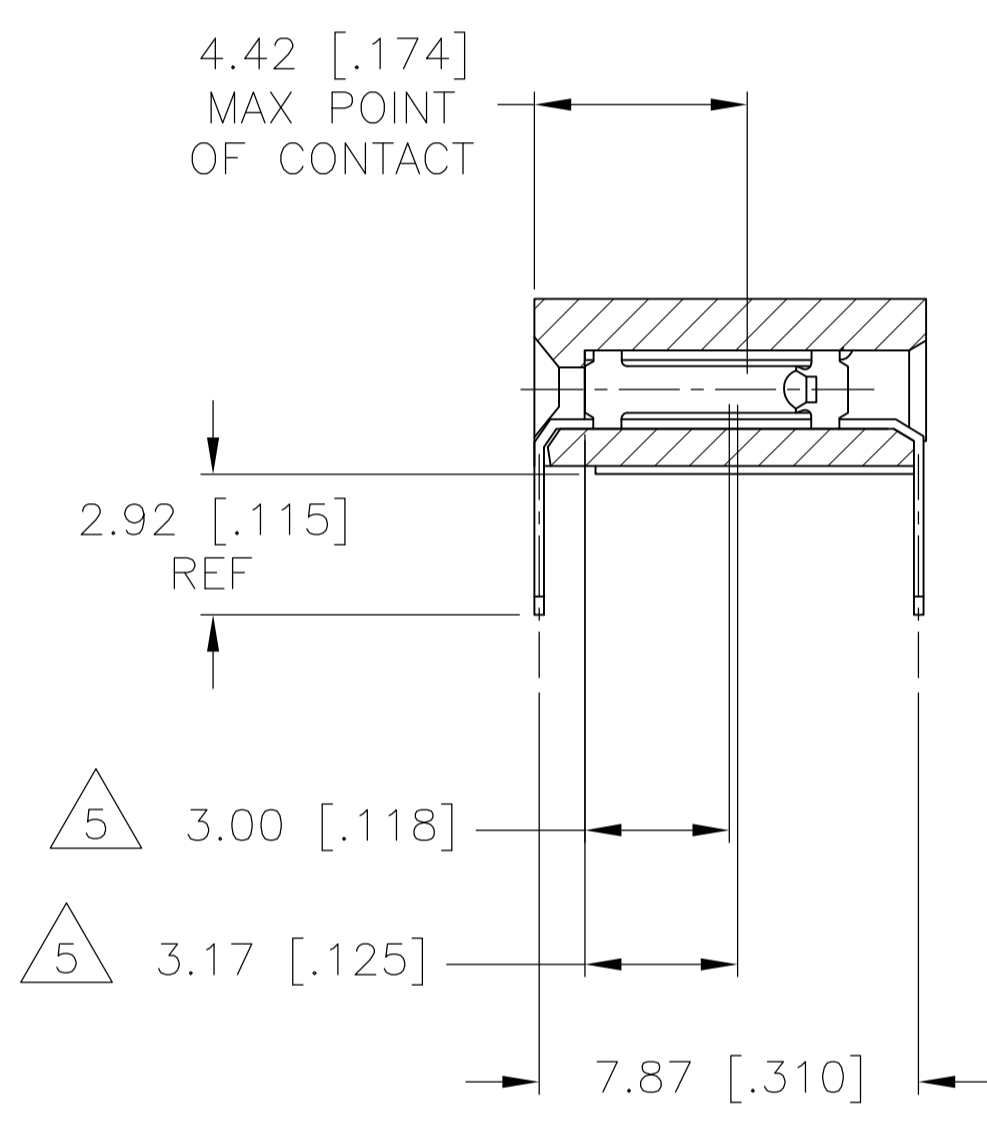
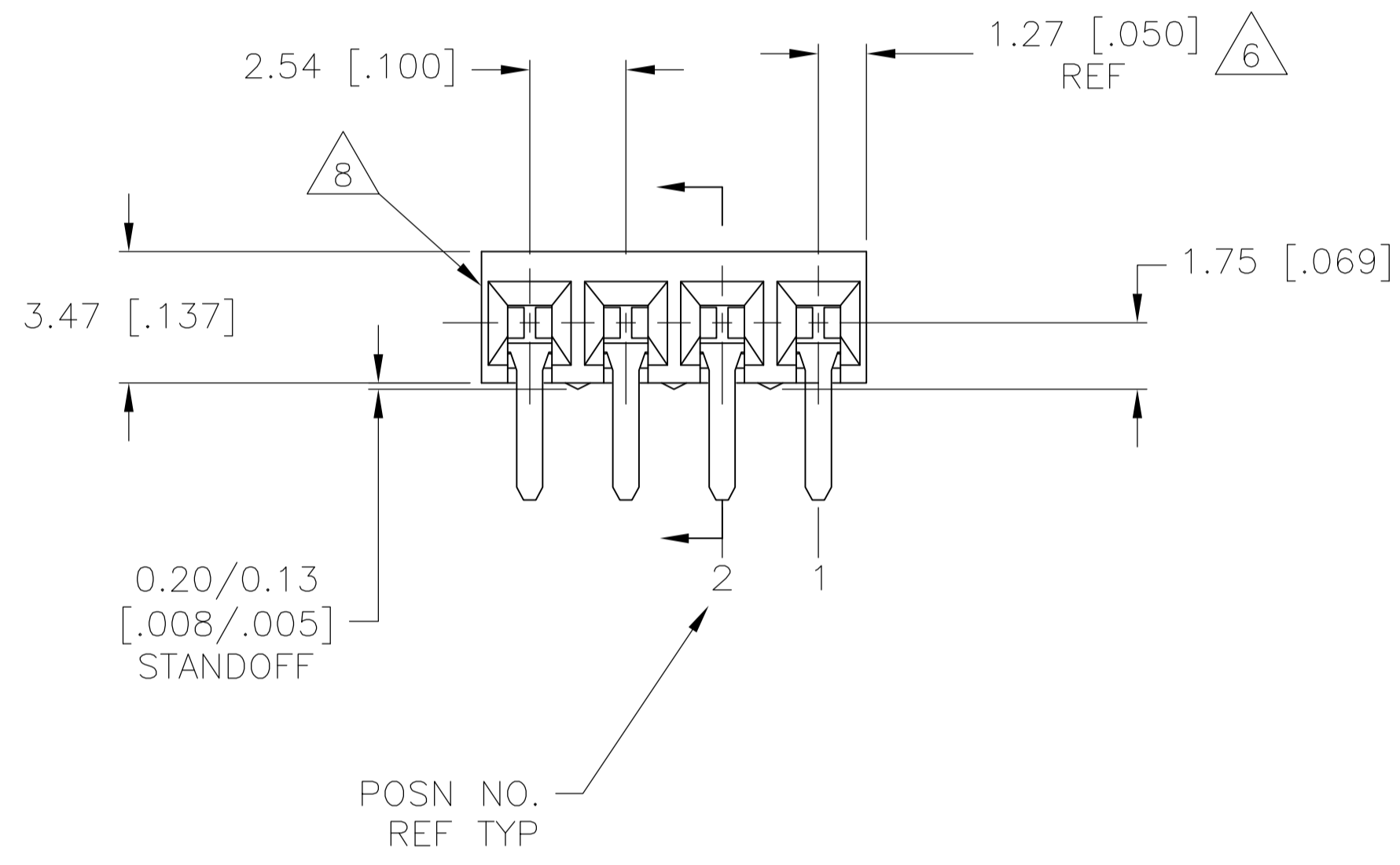


- △1 HOUSING MATERIAL: GLASS FILLED POLYESTER, COLOR- BLACK
- △2 CONTACT MATERIAL: PHOSPHOR BRONZE
- △3 CONTACT FINISH: 0.00025[.000010] THK DUPLEX PLATED GOLD ON CONTACT AREA, 0.00127[.000050] MIN THK BRIGHT TIN-LEAD OR TIN ON SOLDERLEADS, ALL OVER 0.00127[.000050] NICKEL
- △4 MOLDED IN ARROW DESIGNATES THE MATING FACE OF THE CONNECTOR
- △5 POINT OF MEASUREMENT FOR PLATING THICKNESS OF CONTACT AREA
- △6 DIMENSIONS PERTAIN TO HOUSING CAVITY CENTERLINES
- △7 DATE CODE AND PART NUMBER MARKED IN APPROXIMATE LOCATION SHOWN.
- △8 PIN #1 INDICATOR, WHITE DOT



RECOMMENDED PC BOARD LAYOUT

17.78[.700]	20.32[.800]	8	1977215-7
B	A	NO. OF POSN	ASSEMBLY PART NUMBER

THIS DRAWING IS A CONTROLLED DOCUMENT.		DIN M. BINNER 01NOV07	Tyco Electronics Corporation Harrisburg, PA 17105	
DIMENSIONS: 1/16		CHK J. OLSON 01NOV07	NAME AMPMODU MOD II RECEPTACLE ASSEMBLY, HORIZONTAL, .100 CL, SINGLE ROW, CLOSED-ENTRY, SHORT POINT OF CONTACT, END-TO-END STACKABLE	
TOLERANCES UNLESS OTHERWISE SPECIFIED:		APVD J. OLSON 01NOV07	APPLICATION SPEC	
0. PLC ± -		SIZE CAGE CODE DRAWING NO		
1. PLC ± -		A1 00779 C=1977215		
2. PLC ± -		WEIGHT		
3. PLC ± 0.13[.005]		CUSTOMER DRAWING		
4. PLC ± -		SCALE 5:1 SHEET 1 OF 1 REV A		
ANGLES ± -				
MATERIAL				
FINISH				

# Mouser Electronics

Authorized Distributor

Click to View Pricing, Inventory, Delivery & Lifecycle Information:

[TE Connectivity:](#)

[1977215-7](#)