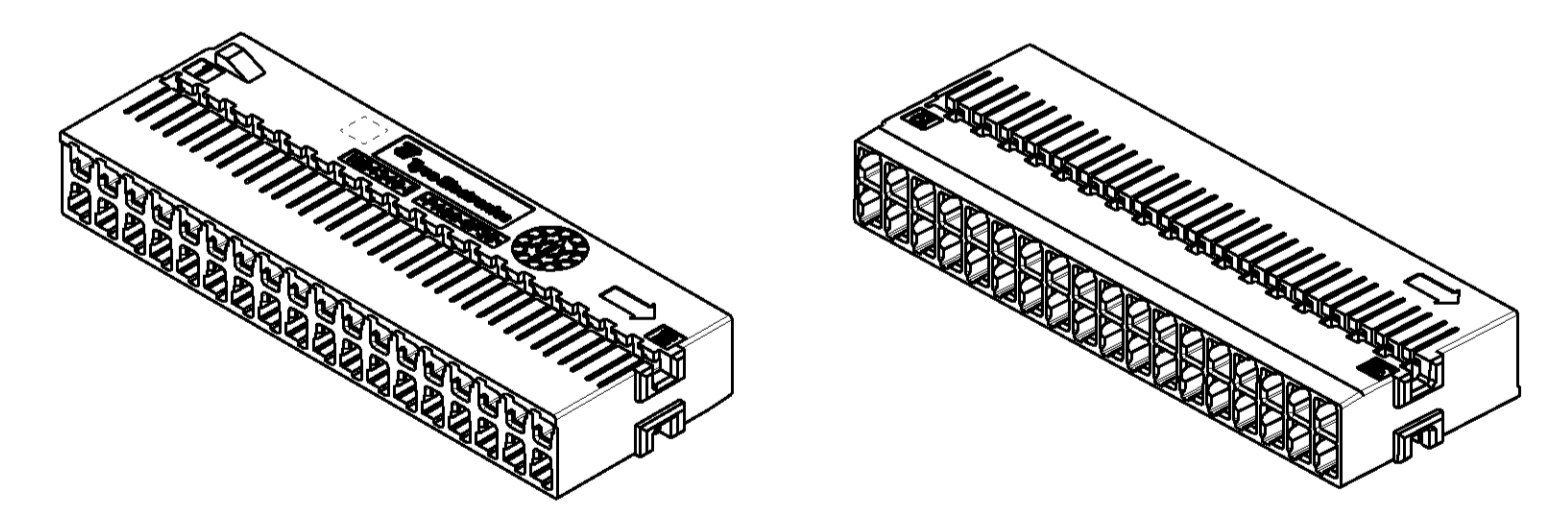
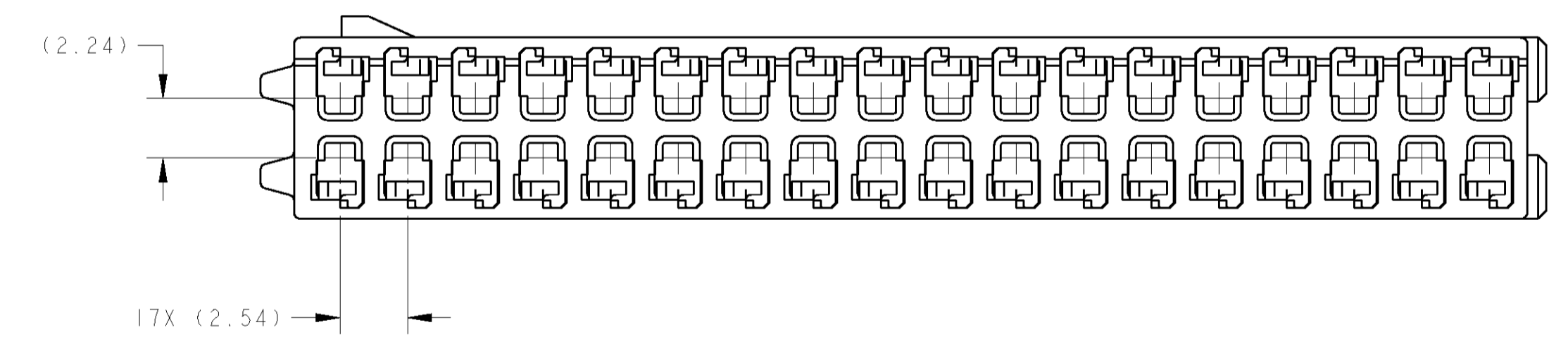
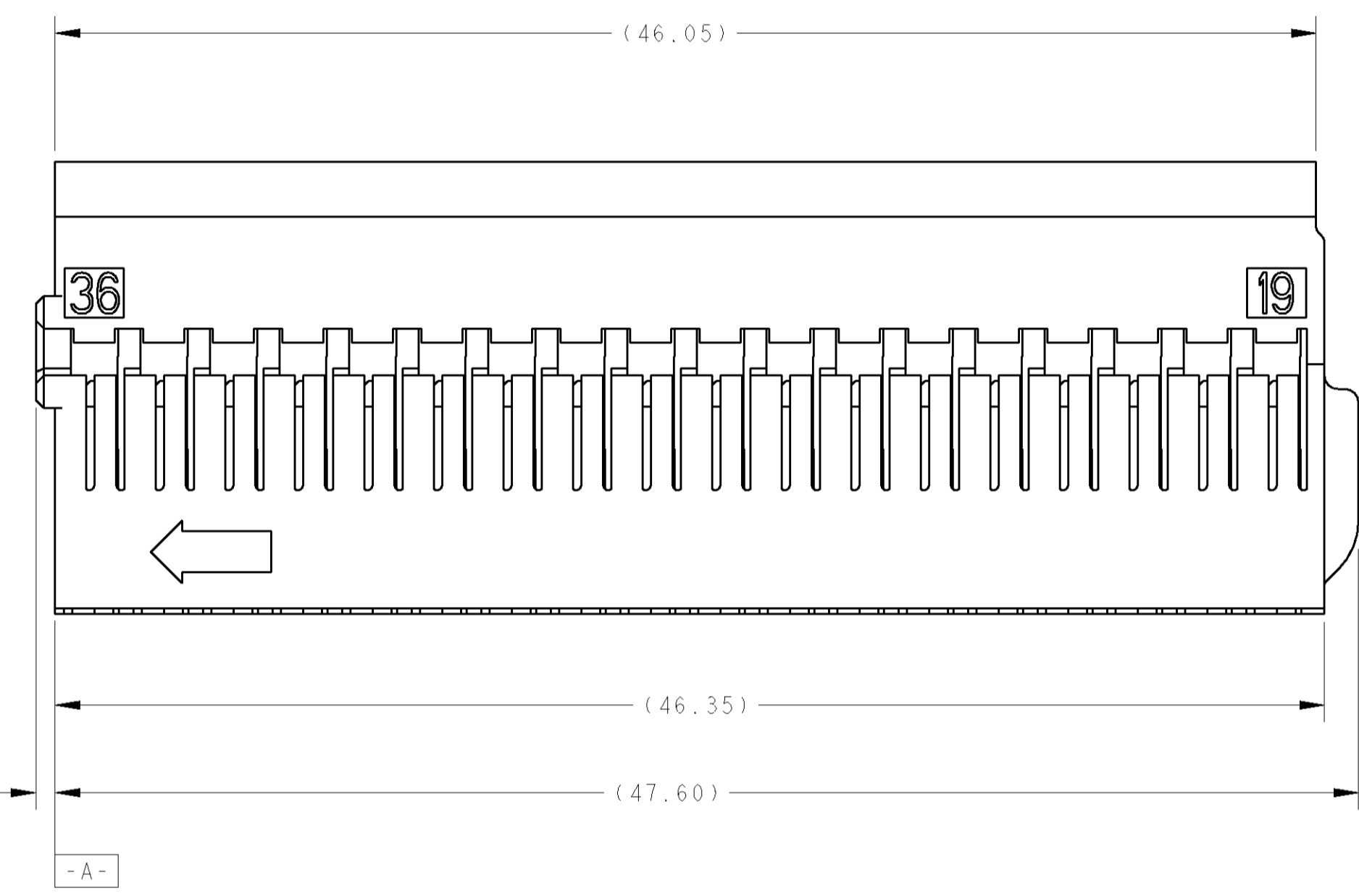
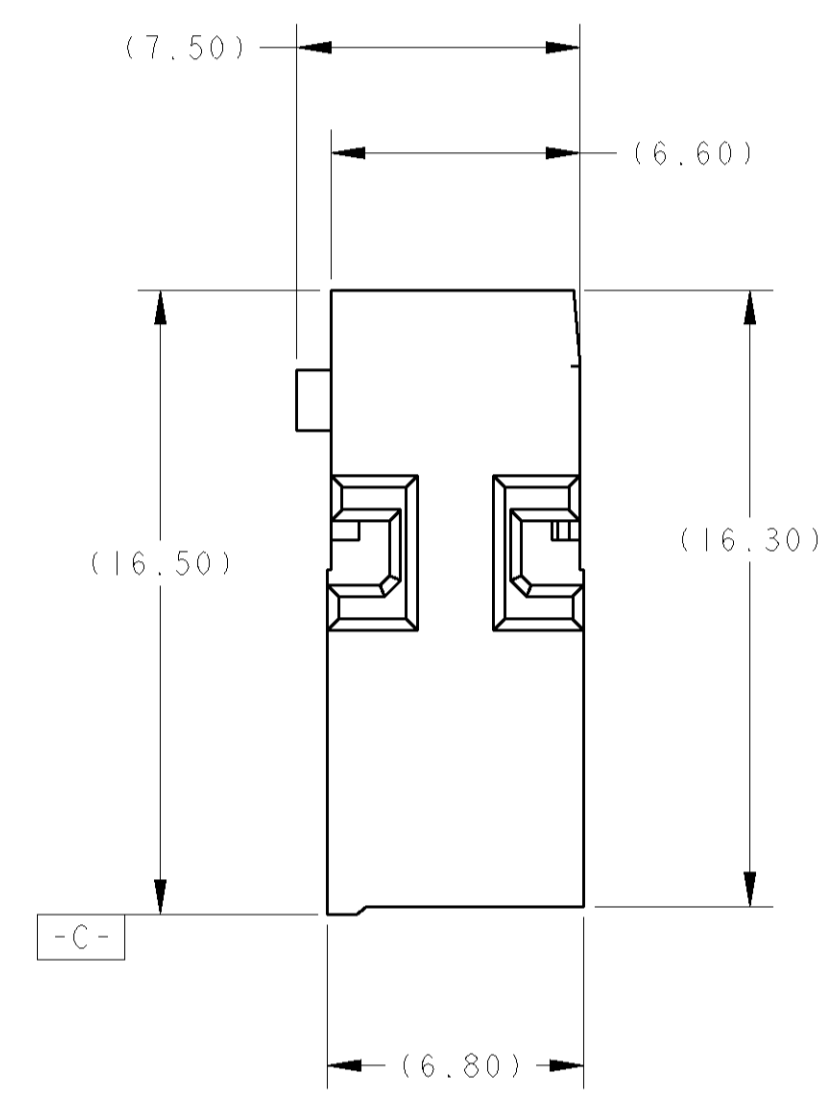
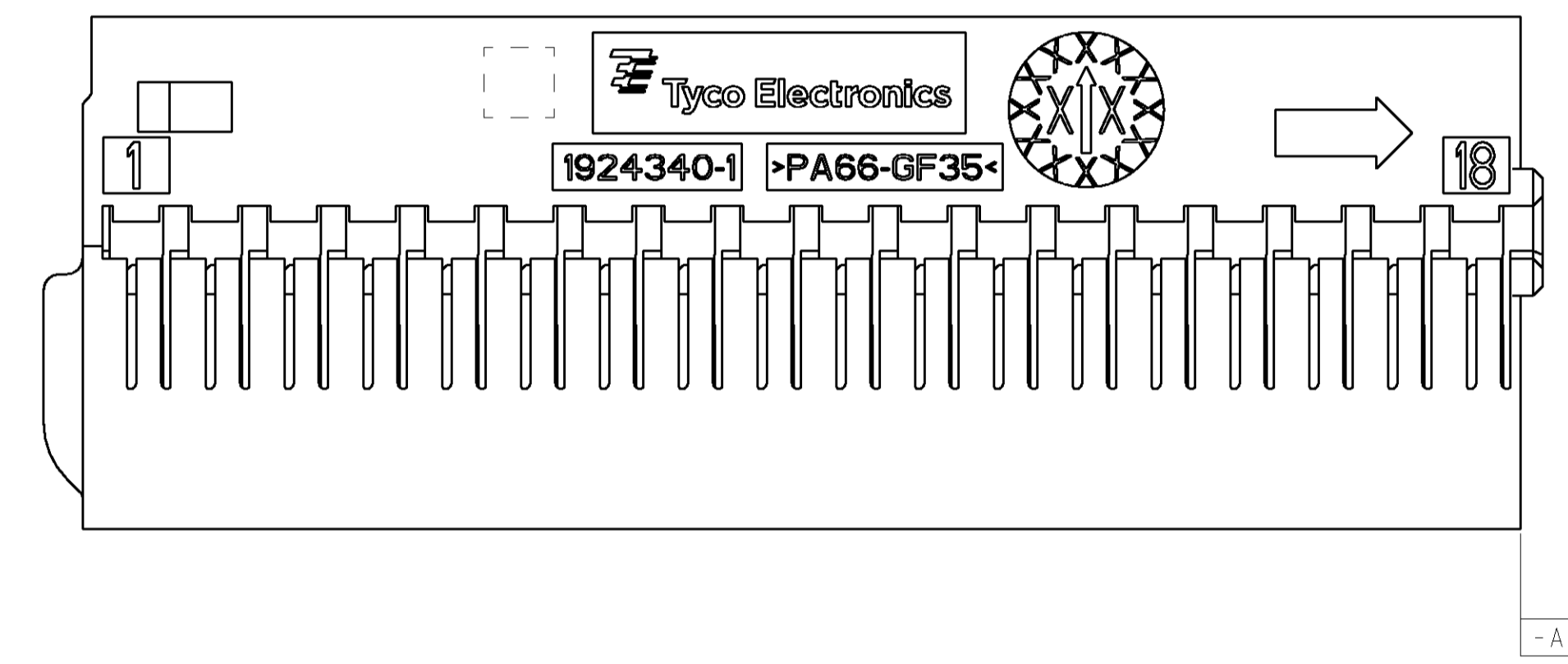
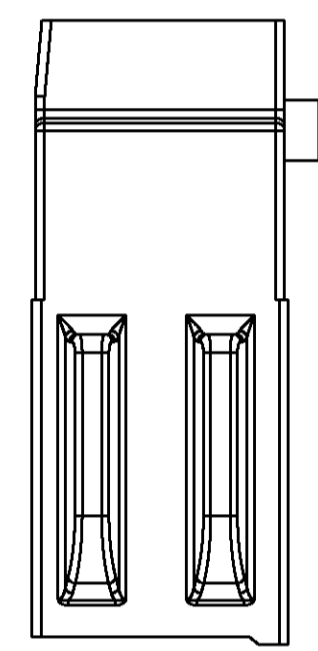
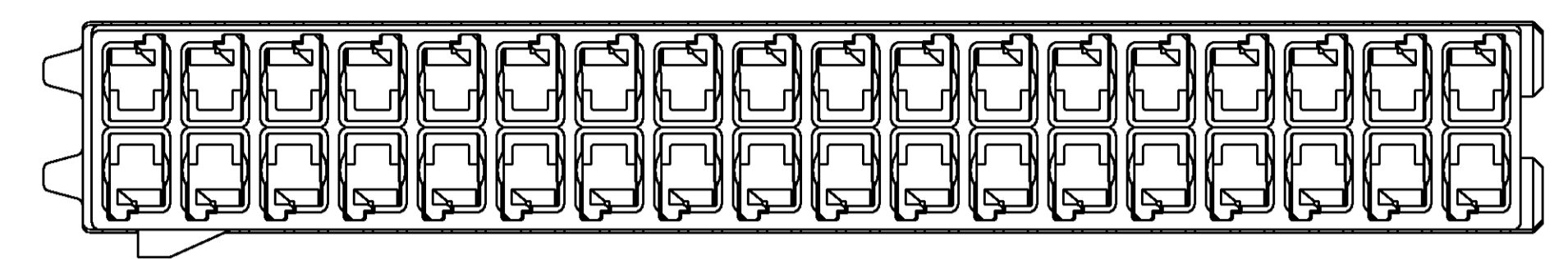


LOC		DIST		REVISIONS			
P	LTR	DESCRIPTION	DATE	DWN	APVD		
A		RLSD PER ECR 07-024469	03JAN2008	RGV	RDH		



ISOMETRIC VIEWS
SCALE 2:1

- ▲ MATERIAL: NYLON 6/6, 35% GLASS FILLED, BLACK.
- 2. RECEPTACLES SOLD SEPARATELY, SEE TYCO ELECTRONICS P/N 1456574 FOR TERMINATION AND REELING OPTIONS.
- 3. DOUBLE ROW CARRIER ASSEMBLES TO TYCO ELECTRONICS SINGLE ROW CARRIER P/N 1924341-1, AND IS USED IN TYCO ELECTRONICS SHIELD ASSEMBLY P/N 1924337.

DIMENSIONS:		TOLERANCES UNLESS OTHERWISE SPECIFIED:		DWN	R. FOLTZ	14FEB2007	Tyco Electronics Harrisburg, PA 17105-3608	
mm	0 PLC ±	1 PLC ±0.1	2 PLC ±0.05	CHK	G. MARTIN	16FEB2007	NAME	
	3 PLC ±	4 PLC ±	ANGLES ±	APVD	G. MARTIN	16FEB2007	CARRIER, DOUBLE ROW, 36 POSITION, 0.64mm GenY CONNECTOR	
MATERIAL	SEE TABLE	FINISH		PRODUCT SPEC			SIZE	CAGE CODE
				APPLICATION SPEC			A100779	C=1924340
				WEIGHT			SCALE	5:1
				CUSTOMER DRAWING			SHEET	1 OF 1
							REV	A

Mouser Electronics

Authorized Distributor

Click to View Pricing, Inventory, Delivery & Lifecycle Information:

[TE Connectivity:](#)

[1924340-1](#)