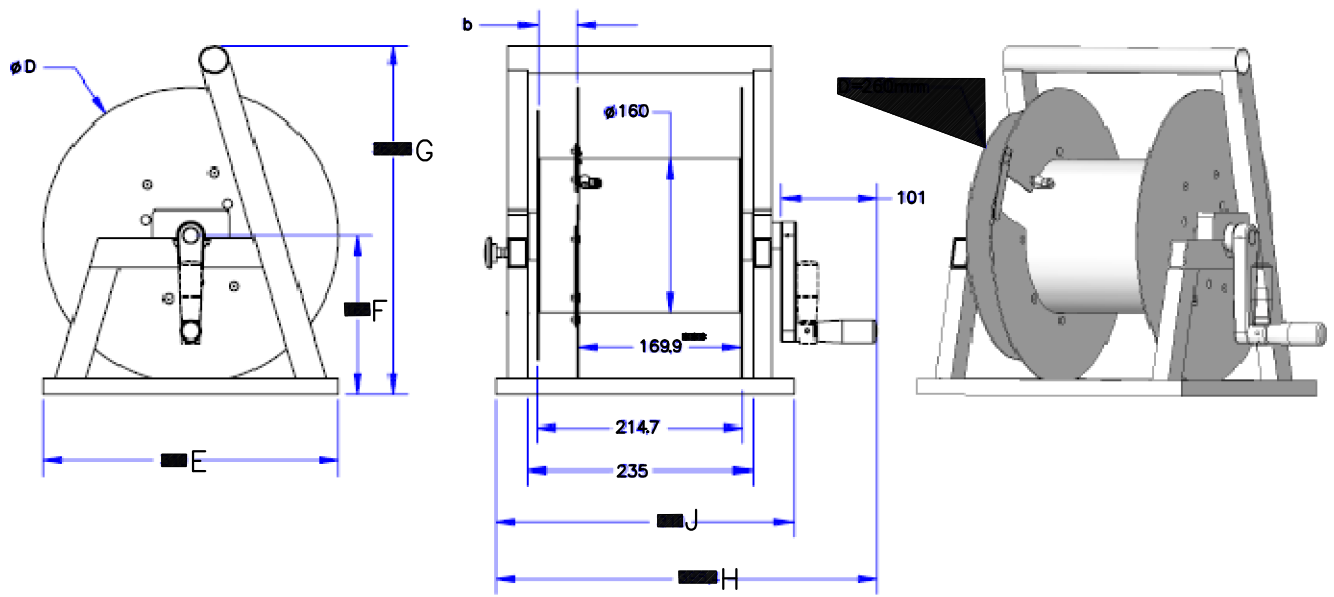


THIS DRAWING IS UNPUBLISHED. RELEASED FOR PUBLICATION
 © COPYRIGHT - By - ALL RIGHTS RESERVED.

LOC	DIST	REVISIONS					
		P	LTR	DESCRIPTION	DATE	DWN	APVD
-	-	B		ECO-14-006873	08MAY14	KG	DK



BLACK	675	525	700	560	290	393.5	545.7	262.5	353.4	460	40	1-1918930-4
BLACK	-	-	-	-	290	393.5	545.7	-	353.4	378	40	1-1918930-3
BLACK	932	699	1125	844	290	393.5	570.5	267.7	359.4	518	40	1-1918930-2
BLACK	228	171	281	211	290	393.4	363.6	165	310	310	40	1-1918930-1
GREEN RAL 6006	675	525	700	560	290	393.5	545.7	262.5	353.4	460	40	1918930-3
GREEN	932	699	1125	844	352.5	415.5	567.2	267.7	380	520	40	1918930-2
GREEN RAL 6006	228	171	281	211	290	393.4	363.6	165	310	310	40	1918930-1
FINISH COLOR	STRAIGHT LAY	RANDOM LAY	STRAIGHT LAY	RANDOM LAY	J (mm)	H (mm)	G (mm)	F (mm)	E (mm)	øD (mm)	b (mm)	PART NUMBER
	ø5.5mm CABLE CAPACITY (M)		ø5.0mm CABLE CAPACITY (M)									

- 1. DIMENSIONS ARE FOR REFERENCE ONLY.
- 2 MATERIAL: ALUMINUM 6061-T6.
- 3 FINISH: POLYESTER EPOXY, COLOR (SEE TABLE).

THIS DRAWING IS A CONTROLLED DOCUMENT.		DWN K. GLATFELTER 24OCT2006	TE Connectivity				
DIMENSIONS: mm		CHK J. SHIPE 17NOV2006					
TOLERANCES UNLESS OTHERWISE SPECIFIED:		APVD D. BAECHTLE 17NOV2006	NAME CABLE REEL ASSEMBLY w/STAND				
0 PLC ± - 1 PLC ± - 2 PLC ± - 3 PLC ± - 4 PLC ± - ANGLES ± -		PRODUCT SPEC -	-				
MATERIAL - 2		APPLICATION SPEC -	SIZE A3	CAGE CODE 00779	DRAWING NO C-1918930	RESTRICTED TO -	
FINISH - 3		WEIGHT -	CUSTOMER DRAWING		SCALE NTS	SHEET 1 OF 1	REV B

Mouser Electronics

Authorized Distributor

Click to View Pricing, Inventory, Delivery & Lifecycle Information:

[TE Connectivity:](#)

[1918930-2](#)