

4

3

2

1

THIS DRAWING IS UNPUBLISHED. RELEASED FOR PUBLICATION
© COPYRIGHT ALL RIGHTS RESERVED.

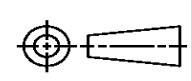
LOC	DIST	REVISIONS			
P	LTR	DESCRIPTION	DATE	DWN	APVD
	A1	ECR-14-002800	27FEB2014	GK	HMR

REPLACED BY OCEAN STYLE APPLICATOR PART NUMBER 2151394-6

FOR REPLACEMENT PARTS FOR APPLICATOR 1911150 REFER TO ADDITIONAL PAGE(S). SPARE PARTS KIT (IF LISTED) WILL REMAIN AVAILABLE.

THE REPLACEMENT OCEAN STYLE APPLICATOR HAS THE SAME TERMINATOR/PRESS INTERFACE AS APPLICATOR 1911150

THIS DRAWING IS A CONTROLLED DOCUMENT.		DWN	GOPALAKRISHNA HV														
DIMENSIONS:		CHK	RAGHAVENDRA														
TOLERANCES UNLESS OTHERWISE SPECIFIED:		APVD	RAGHAVENDRA														
<table border="0"> <tr><td>0 PLC</td><td>±</td></tr> <tr><td>1 PLC</td><td>±</td></tr> <tr><td>2 PLC</td><td>±</td></tr> <tr><td>3 PLC</td><td>±</td></tr> <tr><td>4 PLC</td><td>±</td></tr> <tr><td>ANGLES</td><td>±</td></tr> </table>		0 PLC	±	1 PLC	±	2 PLC	±	3 PLC	±	4 PLC	±	ANGLES	±	PRODUCT SPEC	NAME		
0 PLC	±																
1 PLC	±																
2 PLC	±																
3 PLC	±																
4 PLC	±																
ANGLES	±																
MATERIAL		APPLICATION SPEC	SIDE FEED SYSTEM III APPLICATOR														
FINISH		WEIGHT	SIZE	CAGE CODE	DRAWING NO												
			A3		©- 1911150												
		CUSTOMER DRAWING	SCALE	SHEET 1 OF 2	REV A1												



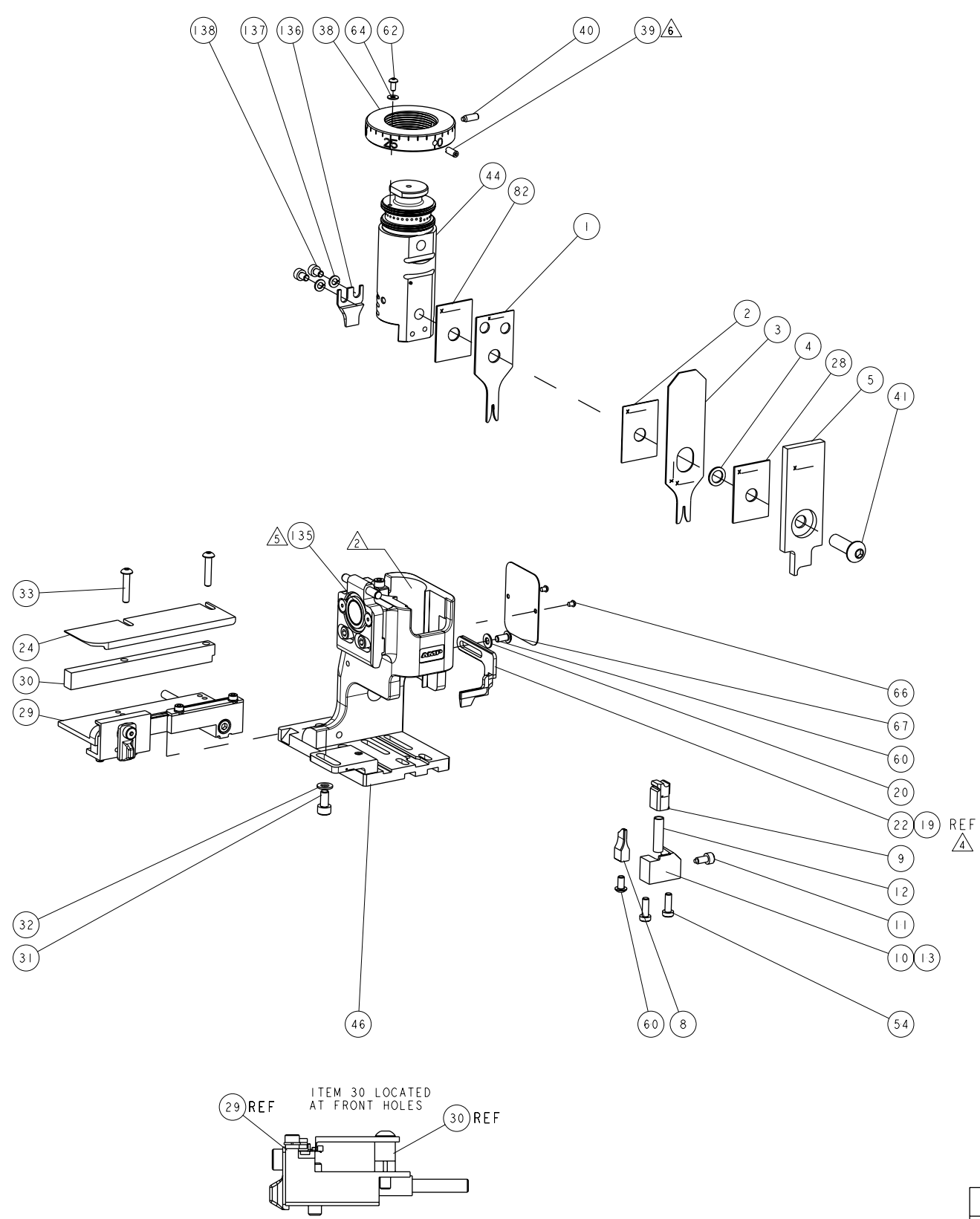
8		7		6		5		4		3		2		1	
THIS DRAWING IS UNPUBLISHED. RELEASED FOR PUBLICATION															
© COPYRIGHT 20 BY TYCO ELECTRONICS CORPORATION. ALL RIGHTS RESERVED.															
PART NUMBER	REV	DESCRIPTION	PROGRAMMED MEMORY CHIP												
1911150-1	A	CUTS CARRIER	8-1911150-1												
1911150-6	A	CONTINUOUS CARRIER	8-1911150-6												
7-1911150-1	A	-1 AND SPARE PARTS	9-1911150-1												
7-1911150-6	A	-6 AND SPARE PARTS	9-1911150-6												
7-1911150-7	A	SPARE PARTS KIT	-												

APPLICATOR DATA		
CRIMP	SIZE	TYPE
WIRE	1.40mm [.055]	F
INSUL	1.50mm [.059]	F
APPL INSTRUCTIONS 408-10135		

TERMINAL DATA: JST TERMINAL		JST CRIMP SPEC	
TERMINAL NAME: JST PH CONNECTOR			
WIRE STRIP LENGTH		INSULATION DIAMETER RANGE	
1.6-2.0 mm [.065-.080 IN]		0.90-1.50mm [.035-.059 IN]	
TERMINAL APPL SPEC	NONE	-	-
TERMINALS APPLIED			
TE TERMINAL	JST TERMINAL	TE TERMINAL	JST TERMINAL
1832163-1	SPH-001T-P0.5S	-	-

WIRE SIZE	CRIMP HEIGHT
26AWG	.625±025 [.0246±0010]
24AWG	.675±025 [.0266±0010]
22AWG	.700±050 [.0276±0020]

FEED FINGER	SET UP GAGE	LOC	DIST	REVISIONS					
1901694-1	1901040-1	A	66	P	LYR	DESCRIPTION	DATE	DWN	APVD
				A		RELEASED	11JAN2008	RD	GB



- ⚠ RECOMMENDED SPARE PARTS.
- ⚠ GREASE BEARING SURFACES LIGHTLY.
- 3. LUBRICATE DAILY PER THE APPLICATOR INSTRUCTION SHEET SUPPLIED WITH THE APPLICATOR.
- ⚠ ITEM 19 - OPTIONAL STRIPPER FOR BENCH MACHINE APPLICATIONS.
- ⚠ APPLICATOR SPECIFIC DATA TO BE ENTERED INTO BLANK MEMORY CHIP AT ASSEMBLY.
- ⚠ APPLY P/N 1-23419-5 LOCTITE(R) TO THREADS.

-	2	2	2	2	1-1655316-8	SCR, SKT HD CAP, M4 X 6.0	138
-	2	2	2	2	18026-2	WASHER, SPRG LOCK, REG M4	137
-	1	1	1	1	4-690518-5	HOLD DOWN, TERMINAL	136
-	REF	REF	REF	REF	SEE TABLE	MEMORY CHIP, PROGRAMMED	135
-	1	1	1	1	455888-9	SPACER, CRIMPER	82
-	1	1	1	1	1633565-1	DOCUMENTATION PACKAGE	71
-	1	1	1	1	1901048-1	TAG, IDENTIFICATION	67
-	2	2	2	2	21017-1	SCREW, DRIVE	66
-	1	1	1	1	18028-1	WASHER, FLAT, REG M3	64
-	1	1	1	1	1655785-9	SCR, BTN SKT HD CAP (M3 X 6)	62
-	2	2	2	2	1655785-1	SCR, BTN SKT HD CAP (M4 X 8)	60
-	2	2	2	2	1655783-3	SCR, CAP, SOC HD, LOW HEAD, M4 X 12	54
-	1	1	1	1	1752300-1	SF SYSTEM III APPLICATOR	46
-	1	1	1	1	1752308-1	RAM	44
-	1	1	1	1	2-1655785-3	SCR, BTN SKT HD CAP (M8 X 25)	41
-	1	1	1	1	993002-4	SCREW, SET, SFT TIP	40
-	1	1	1	1	1962043-1	PLUNGER, BALL, METRIC	39
-	1	1	1	1	1752309-2	RING, INSULATION CRIMP	38
-	2	2	2	2	3-1655785-3	SCR, BTN SKT HD CAP (M4 X 20)	33
-	1	1	1	1	18028-3	WASHER, FLAT, REG M5	32
-	1	1	1	1	5-1655316-3	SCR, SKT HD CAP, M5 X 10.0	31
-	1	1	1	1	1320908-9	SPACER, STRIP GUIDE	30
-	1	1	1	1	1901087-1	ASSEMBLY, STRIP GUIDE	29
-	1	1	1	1	1-455888-0	SPACER, CRIMPER	28
-	1	1	1	1	1320928-1	PLATE, STRIP GUIDE	24
-	1	1	1	1	1976045-2	STRIPPER	22
-	1	1	1	1	18028-2	WASHER, FLAT, REG M4	20
-	REF	REF	REF	REF	1752311-1	STRIPPER	19
⚠	-	-	-	-	1338684-1	SHEAR HOLDER, FRONT	13
⚠	-	-	-	-	3-22280-3	SPRING, COMPRESSION	12
⚠	-	-	-	-	356885-4	STOP, SHEAR	11
⚠	-	-	-	-	1320921-1	SHEAR HOLDER, FRONT, CUT	10
⚠	-	-	-	-	462006-1	FLOATING SHEAR, FRONT	9
⚠	1	2	2	1	5-1633139-3	ANVIL, COMBINATION	8
⚠	-	-	-	-	2-455889-0	DEPRESSOR, SHEAR	5
⚠	-	-	-	-	2-238011-8	BLOCK, CRIMPER SPACER	4
⚠	1	2	2	1	6-683453-4	CRIMPER, INSULATION PREMIUM	3
⚠	-	-	-	-	455888-5	SPACER, CRIMPER	2
⚠	1	2	2	1	3-456402-4	CRIMPER, WIRE PREMIUM	1

DIMENSIONS: INCHES(mm)		TOLERANCES UNLESS OTHERWISE SPECIFIED:		OWN: R. DOBSON 21NOV2007		Tyco Electronics Tyco Electronics Harrisburg, PA 17105-3608	
0 PLC	±	0.0005	0.0127	APVD: R. DOBSON 21NOV2007	NAME: SIDE FEED SYSTEM III APPLICATOR	SIZE: A	CAGE CODE: 00779
1 PLC	±	0.0005	0.0127	PRODUCT SPEC	APPLICATION SPEC	DRAWING NO: 1911150	RESTRICTED TO: -
2 PLC	±	0.0005	0.0127	SEE TABLE	WEIGHT: -	SCALE: 3:5	SHEET: 1 OF 1
3 PLC	±	0.0005	0.0127	CUSTOMER DRAWING	REV: A		
4 PLC	±	0.0005	0.0127				
ANGLES	±	0.0005	0.0127				

Mouser Electronics

Authorized Distributor

Click to View Pricing, Inventory, Delivery & Lifecycle Information:

[TE Connectivity:](#)

[1911150-1](#)