

4

3

2

1

THIS DRAWING IS UNPUBLISHED. RELEASED FOR PUBLICATION  
© COPYRIGHT ALL RIGHTS RESERVED.

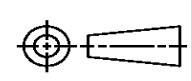
LOC	DIST	REVISIONS			
P	LTR	DESCRIPTION	DATE	DWN	APVD
	A1	ECR-14-002252	20FEB2014	GK	HMR

# REPLACED BY OCEAN STYLE APPLICATOR PART NUMBER 2150286-6

FOR REPLACEMENT PARTS FOR APPLICATOR 1911066  
REFER TO ADDITIONAL PAGE(S). SPARE PARTS KIT (IF LISTED)  
WILL REMAIN AVAILABLE.

THE REPLACEMENT OCEAN STYLE APPLICATOR HAS THE  
SAME TERMINATOR/PRESS INTERFACE AS APPLICATOR  
1911066

THIS DRAWING IS A CONTROLLED DOCUMENT.		DWN	GOPALAKRISHNA HV														
DIMENSIONS:		CHK	RAGHAVENDRA														
TOLERANCES UNLESS OTHERWISE SPECIFIED:		APVD	RAGHAVENDRA														
<table border="0"> <tr><td>0 PLC</td><td>±</td></tr> <tr><td>1 PLC</td><td>±</td></tr> <tr><td>2 PLC</td><td>±</td></tr> <tr><td>3 PLC</td><td>±</td></tr> <tr><td>4 PLC</td><td>±</td></tr> <tr><td>ANGLES</td><td>±</td></tr> </table>		0 PLC	±	1 PLC	±	2 PLC	±	3 PLC	±	4 PLC	±	ANGLES	±	PRODUCT SPEC	NAME		
0 PLC	±																
1 PLC	±																
2 PLC	±																
3 PLC	±																
4 PLC	±																
ANGLES	±																
MATERIAL		APPLICATION SPEC	END FEED SYSTEM III APPLICATOR														
FINISH		WEIGHT	SIZE	CAGE CODE	DRAWING NO												
			A3		©- 1911066												
		CUSTOMER DRAWING	SCALE	SHEET 1 OF 2	REV A1												



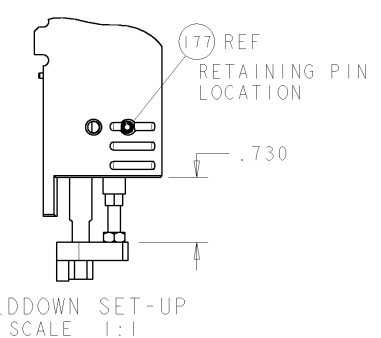
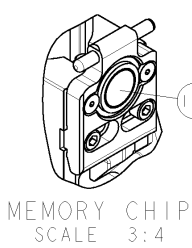
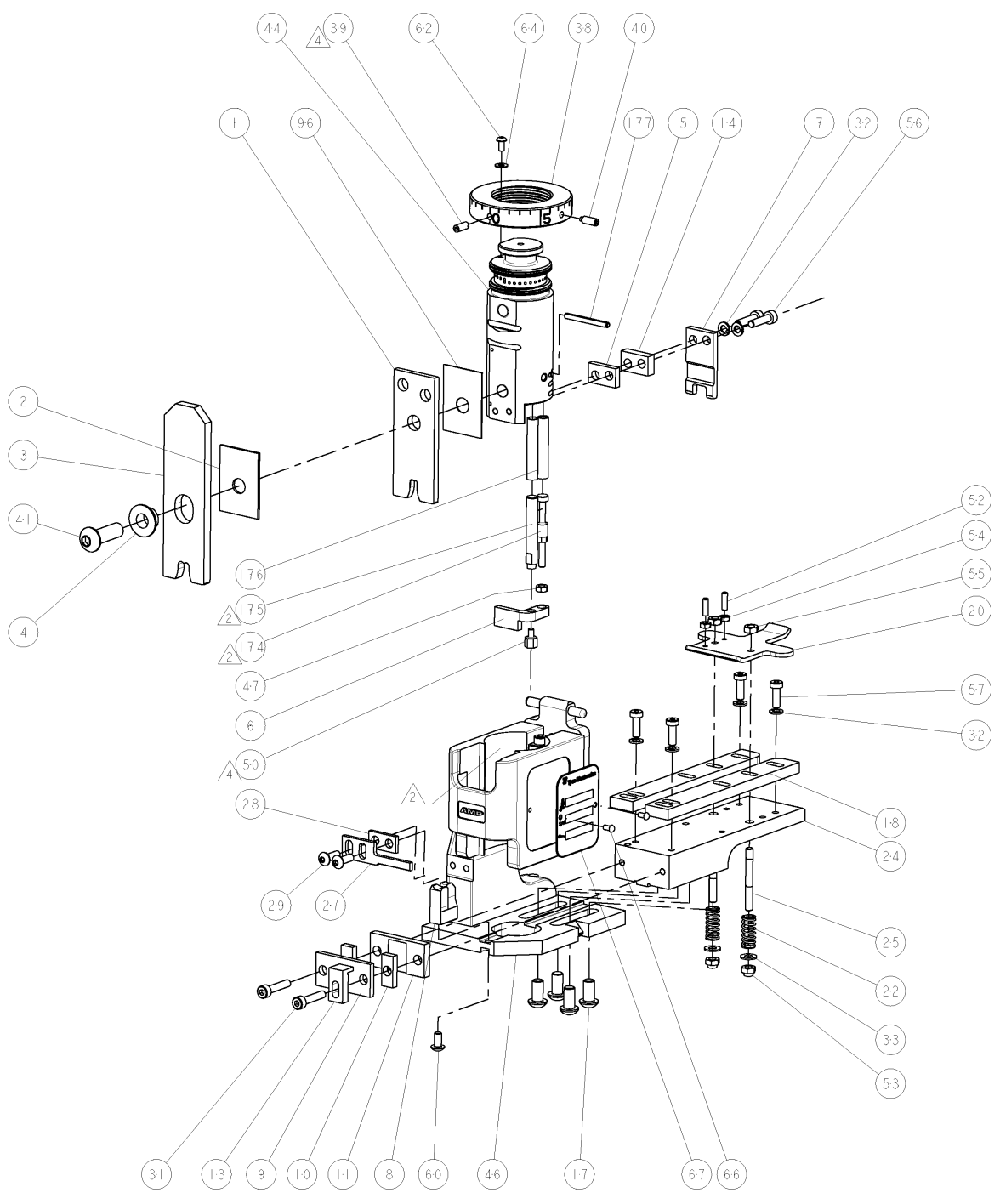
PART NUMBER	REV	DESCRIPTION	PROGRAMMED MEMORY CHIP
1911066-1	A	S3A APPLICATOR	8-1911066-1
7-1911066-1	A	-1 AND SPARE PARTS	9-1911066-1
7-1911066-7	A	SPARE PARTS KIT	

APPLICATOR DATA		
CRIMP	SIZE	TYPE
WIRE	.180 [4.57mm]	F
INSUL	.300 [7.62mm]	F
APPL INSTRUCTIONS 408-10136		

TERMINAL DATA: TE TERMINAL		TYCO ELECTRONICS CRIMP SPEC
TERMINAL NAME: RING TONGUE		
WIRE STRIP LENGTH		INSULATION DIAMETER RANGE
.210-.225 IN [5.30-5.70mm]		.170-.210 IN [4.32-5.33mm]
TERMINAL APPL SPEC	114-2084	
TERMINALS APPLIED		
42864-1	42864-2	42863-2 61424-1

WIRE SIZE	CRIMP HEIGHT
INCH[mm]	INCH[mm]
10AWG	.148±.002 [3.76±.05]
12AWG	.134±.002 [3.40±.05]

- RECOMMENDED SPARE PARTS.
- GREASE BEARING SURFACES LIGHTLY.
- 3. LUBRICATE DAILY PER THE APPLICATOR INSTRUCTION SHEET SUPPLIED WITH THE APPLICATOR.
- APPLY P/N 1-23419-5 LOCTITE® TO THREADS.
- APPLICATOR SPECIFIC DATA TO BE ENTERED INTO BLANK MEMORY CHIP AT ASSEMBLY.



REV	DATE	BY	CHKD	APPD
3	10SEP2007	DJG	DJG	
4	04OCT2007	DJG	DJG	
A	09OCT2007	RD	ND	

QTY	REV	DESCRIPTION	DATE	BY	APPD
-	1	1-993111-6	PIN, SLOTTED SPRING 3.0 X 30.0		177
-	2	3-22280-7	SPRING, COMPRESSION		176
-	1	1752353-1	GUIDE PIN, HOLD-DOWN		175
-	1	1901680-1	GUIDE PIN, HOLD-DOWN		174
REF	REF	SEE TABLE	MEMORY CHIP, PROGRAMMED		135
-	1	455888-4	SPACER, CRIMPER		96
-	1	1633565-2	DOCUMENTATION PACKAGE		71
-	1	1901048-1	TAG, IDENTIFICATION		67
-	2	21017-2	SCREW, DRIVE		66
-	1	18028-1	WASHER, FLAT, REG M3		64
-	1	1655785-9	SCR, BTN SKT HD CAP (M3 X 6)		62
-	1	1655785-1	SCR, BTN SKT HD CAP (M4 X 8)		60
-	4	1655783-3	SCR, CAP, SOC HD, LOW HEAD, M4 X 12		57
-	2	1655316-3	SCR, SKT HD CAP, M4 X 16.0		56
-	2	18030-2	NUT, HEX, REG M4		55
-	2	18030-1	NUT, HEX, REG M3		54
-	2	986965-1	NUT, LOCK, HEX, TORQUE (M4)		53
-	2	2-18032-2	SCR, SET, FLT POINT M3 X 10.0		52
-	1	1752354-6	STANDOFF, HOLD-DOWN		50
-	1	1-18030-0	NUT, HEX, REG M3.5		47
-	1	1752320-1	EF SYSTEM III APPLICATOR		46
-	1	1752308-1	RAM		44
-	1	2-1655785-3	SCR, BTN SKT HD CAP (M8 X 25)		41
-	1	993002-4	SCREW, SET, SFT TIP		40
-	1	1962043-1	PLUNGER, BALL, METRIC		39
-	1	1752309-2	RING, INSULATION CRIMP		38
-	2	18028-2	WASHER, FLAT, REG M4		33
-	6	18026-2	WASHER, SPRG LOCK, REG M4		32
-	2	2-1655316-6	SCR, SKT HD CAP, M4 X 20.0		31
-	2	1655785-2	SCR, BTN SKT HD CAP (M4 X 12)		29
-	1	1-690451-1	SPACER, STRIPPER		28
-	1	690455-7	STRIPPER, FRONT CASTING		27
-	2	1320906-1	STUD, THREADED		25
-	1	1752371-1	PLATE, STRIP GUIDE		24
-	2	22281-7	SPRING, DRAG		22
-	1	1752373-1	DRAG		20
-	2	1901259-9	GUIDE, LOWER STRIP		18
-	4	1655785-5	SCR, BTN SKT HD CAP (M6 X 12)		17
-	1	3-240641-5	SPACER		14
-	1	1752360-1	SPACER, HOLD-DOWN		13
-	1	240644-1	PLATE, REAR SHEAR		11
-	2	1-240645-7	SPACER, SHEAR PLATE		10
-	1	240642-1	PLATE, FRONT SHEAR		9
-	1	2-1633383-8	ANVIL, COMBINATION		8
-	1	4-240651-6	BLADE, SLUG		7
-	1	1901681-5	HOLD-DOWN, TERMINAL		6
-	1	240641-1	SPACER		5
-	1	238009-7	BLOCK, FL CRIMPER SPACER		4
-	1	456134-1	CRIMPER, INSULATION F PREMIUM		3
-	1	1-455888-1	SPACER, CRIMPER		2
-	1	456428-4	CRIMPER, WIRE		1
-77	-71	-1	PART NO		ITEM NO

DIMENSIONS: INCHES		TOLERANCES UNLESS OTHERWISE SPECIFIED:		DATE: 06 JUL 2006	
0 PLC	±	1 PLC	±0.1	DATE: 06 JUL 2006	NAME: END FEED SYSTEM III APPLICATOR
1 PLC	±0.1	2 PLC	±0.02	DATE: 06 JUL 2006	PRODUCT SPEC: -
2 PLC	±0.05	3 PLC	±0.005	APPLICATION SPEC: -	SIZE: A
3 PLC	±0.005	4 PLC	±0.0005	WEIGHT: -	CASE CODE: 00779
4 PLC	±0.0005	ANGLES: -		DRAWING NO: 1911066	RESTRICTED TO: -
MATERIAL: - FINISH: -				CUSTOMER DRAWING: - SCALE: 3:5 SHEET 1 OF 1 REV A	

CUSTOMER VIEWABLE ASSEMBLY

# Mouser Electronics

Authorized Distributor

Click to View Pricing, Inventory, Delivery & Lifecycle Information:

[TE Connectivity:](#)

[1911066-1](#)