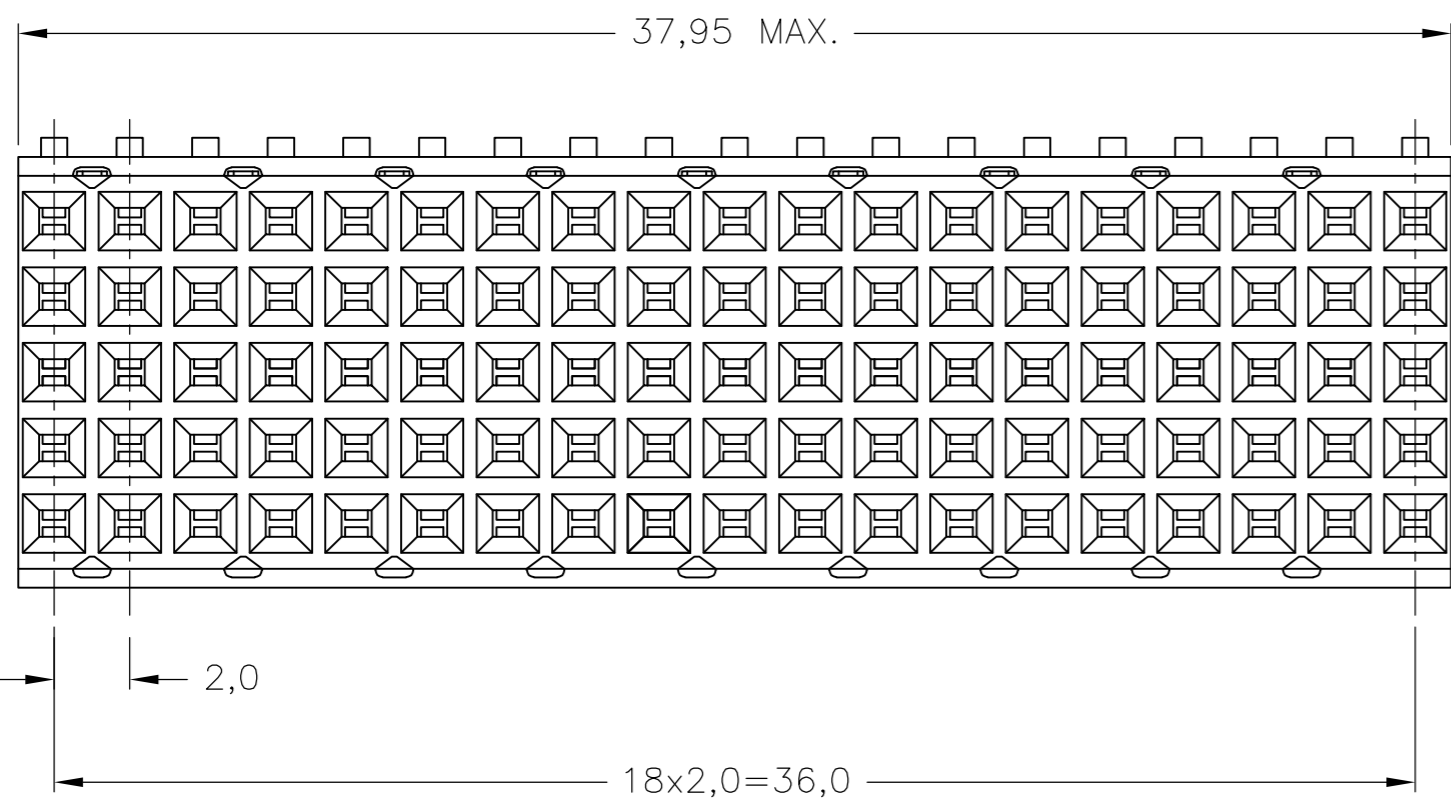
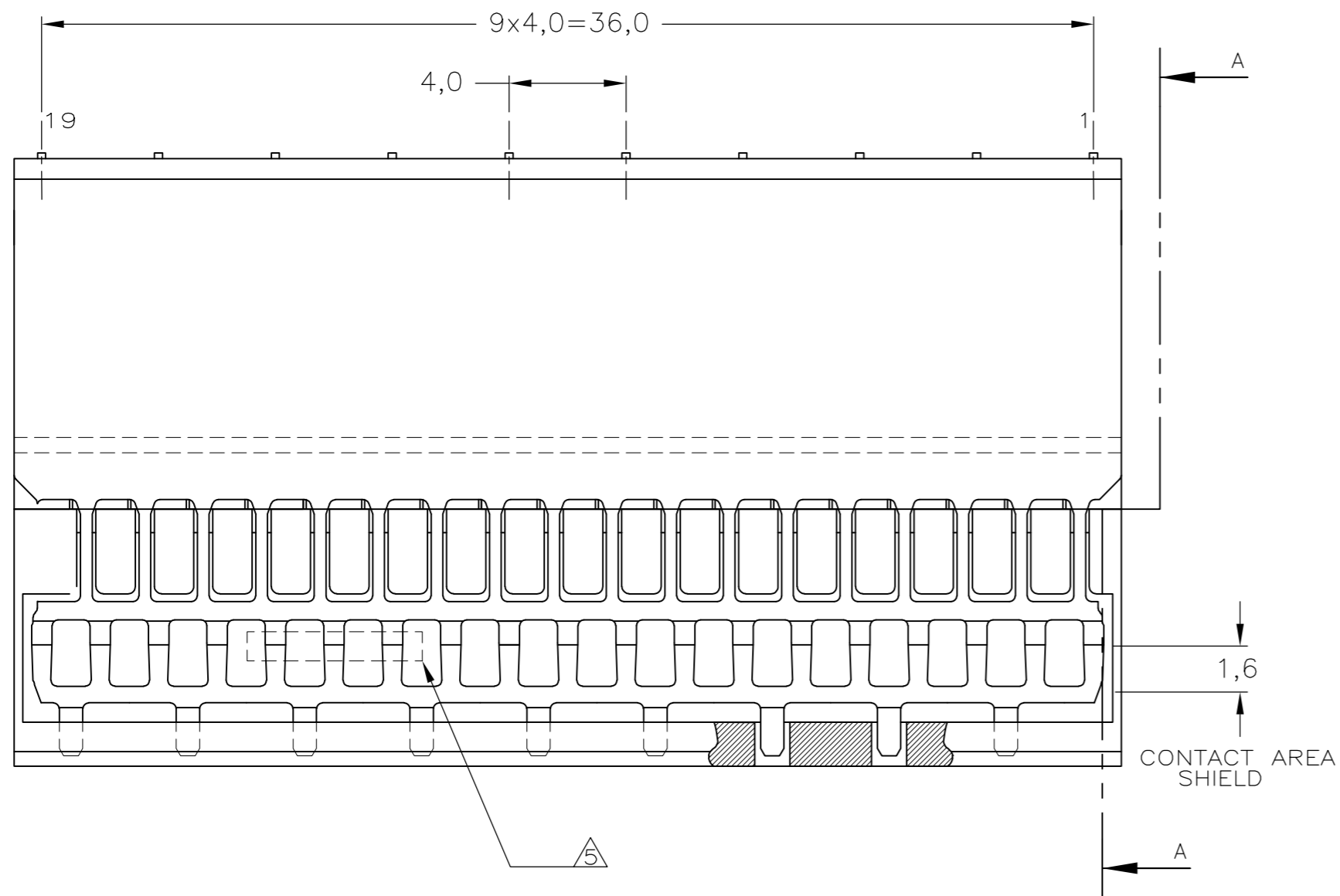
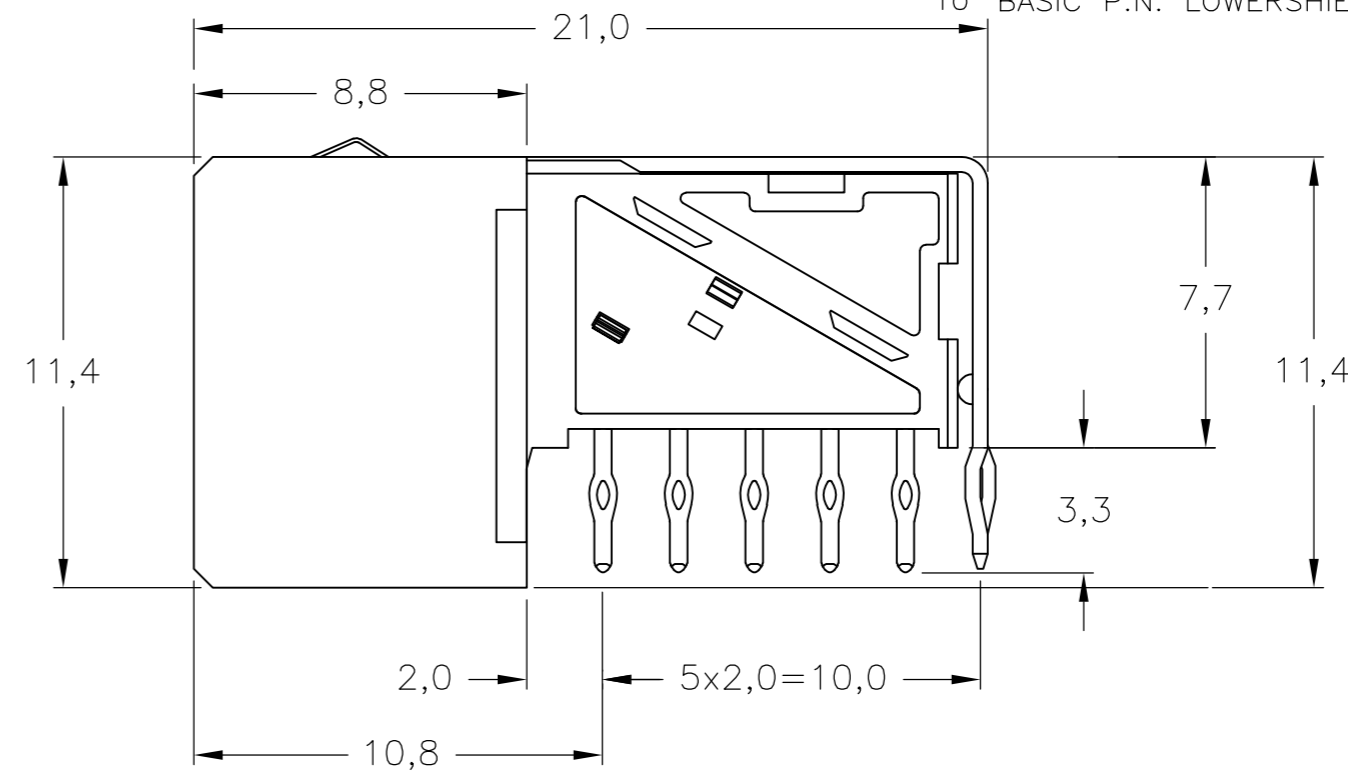
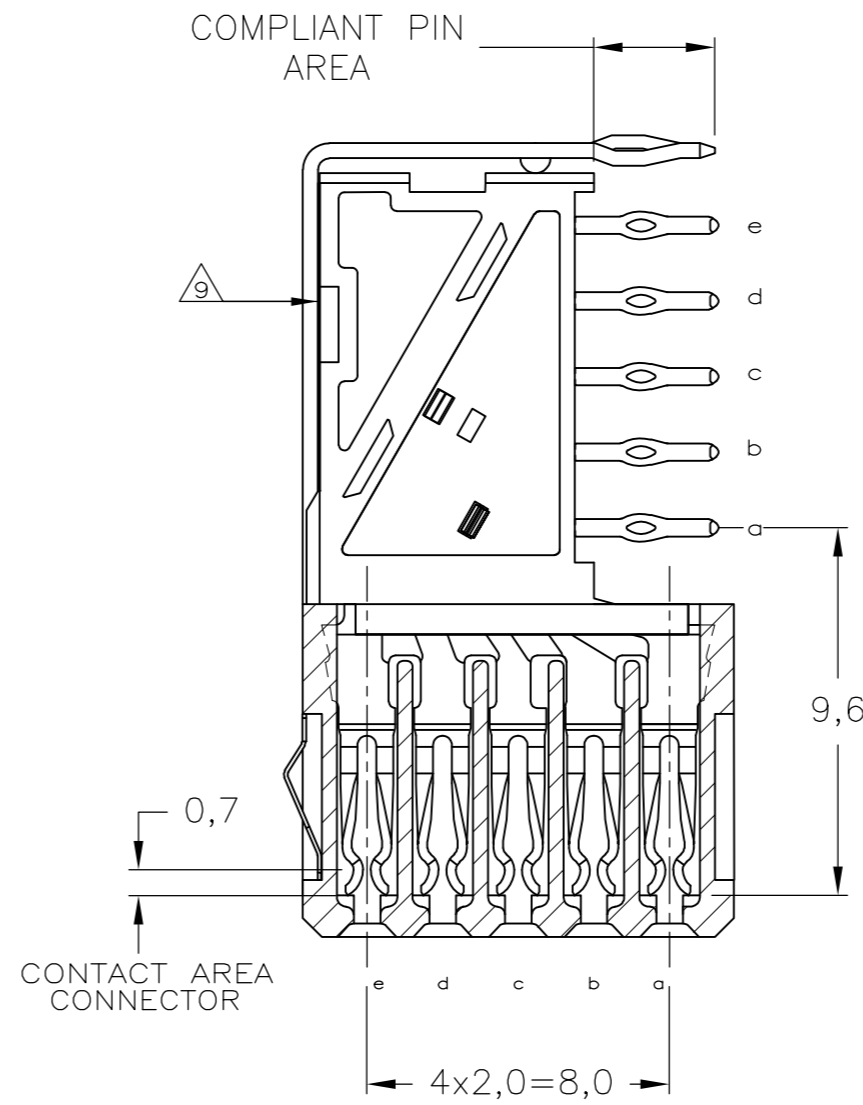


THIS DRAWING IS UNPUBLISHED. RELEASED FOR PUBLICATION
 © COPYRIGHT BY TYCO ELECTRONICS CORPORATION. ALL RIGHTS RESERVED.

LOC	DIST	REVISIONS					
		P	LTR	DESCRIPTION	DATE	DWN	APVD
H	-		A1	ECR-07-024984	19OCT2007	JvH	JB
			B	ECR-10-018652	10SEP10	SW	MQW
			C	ECO-11-024491	13DEC11	SY	MQW



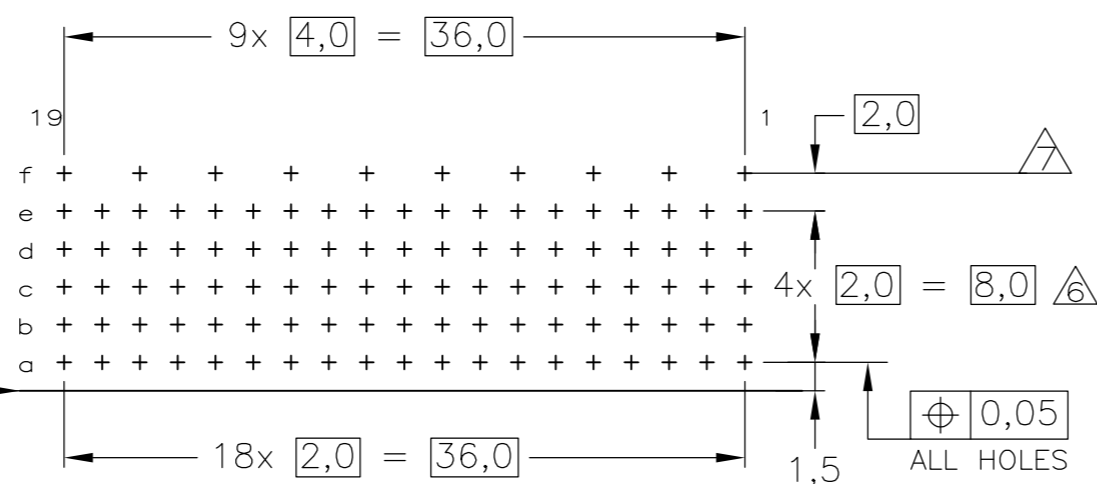
SECTION A-A



NOTES:

- 1 PLATING CONNECTOR:
CONTACT AREA: 0,76µm Au MIN. OVER 1,27 µm Ni MIN.
COMPLIANT PIN SECTION: 0,5µm Sn MIN. OVER 1,27 µm Ni MIN.
- 2 PLATING CONNECTOR:
CONTACT AREA: 1,27µm Au MIN. OVER 1,27 µm Ni MIN.
COMPLIANT PIN SECTION: 0,5µm Sn MIN. OVER 1,27 µm Ni MIN.
- 3 PLATING SHIELD:
CONTACT AREA: 0,76 µm Au MIN.
COMPLIANT PIN SECTION: 0,5 µm Sn MIN.
REMAINDER : Ni
- 4 MATERIAL CONTACTS; PHOSPHORBRONZE
MATERIAL HOUSING; GLASSFILLED POLYESTER (GRAY)
- 5 ASSEMBLY PRINTED WITH P/N AND DATECODE
THE MARKING CAN APPEAR ON THE FRONT SIDE OR BACK SIDE.
- 6 HOLE PATTERN FOR FEMALE CONNECTOR TYPE B-19 COLUMNS
95 PLATED-THROUGH HOLES AT 2x2mm SQUARE GRID
- 7 ROW "f" 10 PLATED THROUGH HOLES FOR UPPERSHIELD
- 8 CONNECTOR & SHIELD LUBRICATED WITH BELLCORE
APPROVED LUBRICANT, TECHNICAL REFERENCE
TR-NWT-001217 ISSUE 1, SEPT. 1992.
CONNECTOR TESTED AND QUALIFIED AGAINST BELLCORE
QUALITY LEVEL III, CENTRAL OFFICE APPLICATIONS
- 9 SHIELD MOUNTED ON CONNECTOR WITH DOUBLE SIDED
ADHESIVE TAPE OR ADHESIVE.
- 10 BASIC P.N. LOWERSHIELD: 5352029

COMPONENT SIDE AS SHOWN
 RECOMMENDED PCB-HOLE LAY-OUT
 SCALE 2,5:1



P.C.B. HOLE DIM. COMPLIANT PIN
 FOR DETAILS SEE
 APPLICATION SPECIFICATION

1 3 8	4	1857998-9
2 3	4	1857998-4
1 3	4	1857998-1
FINISH	MATERIAL	PARTNUMBER

THIS DRAWING IS A CONTROLLED DOCUMENT.		DWN	23AUG2007	Tyco Electronics Corporation	
DIMENSIONS: mm		CHK	J.van Hoek	Tyco Electronics Corporation	
TOLERANCES UNLESS OTHERWISE SPECIFIED:		APVD	B.Mooij	's-Hertogenbosch,5222AR-32	
0 PLG ±		PRODUCT SPEC	J.Broeksteeg	NAME	
1 PLG ±		APPLICATION SPEC	108-19082	Z-PACK 2mm HM	
2 PLG ±		WEIGHT	114-19029	TYPE B - 19 COLUMNS	
3 PLG ±		CUSTOMER DRAWING	-	PRE-SHIELDED RECEPTACLE	
4 PLG ±		SCALE	5:1	SIZE	A2
ANGLES ±		SHEET	1 OF 1	CAGE CODE	00779
FINISH		REV	C	DRAWING NO	C=1857998
FINISH		RESTRICTED TO	-		

Mouser Electronics

Authorized Distributor

Click to View Pricing, Inventory, Delivery & Lifecycle Information:

[TE Connectivity:](#)

[1857998-1](#)