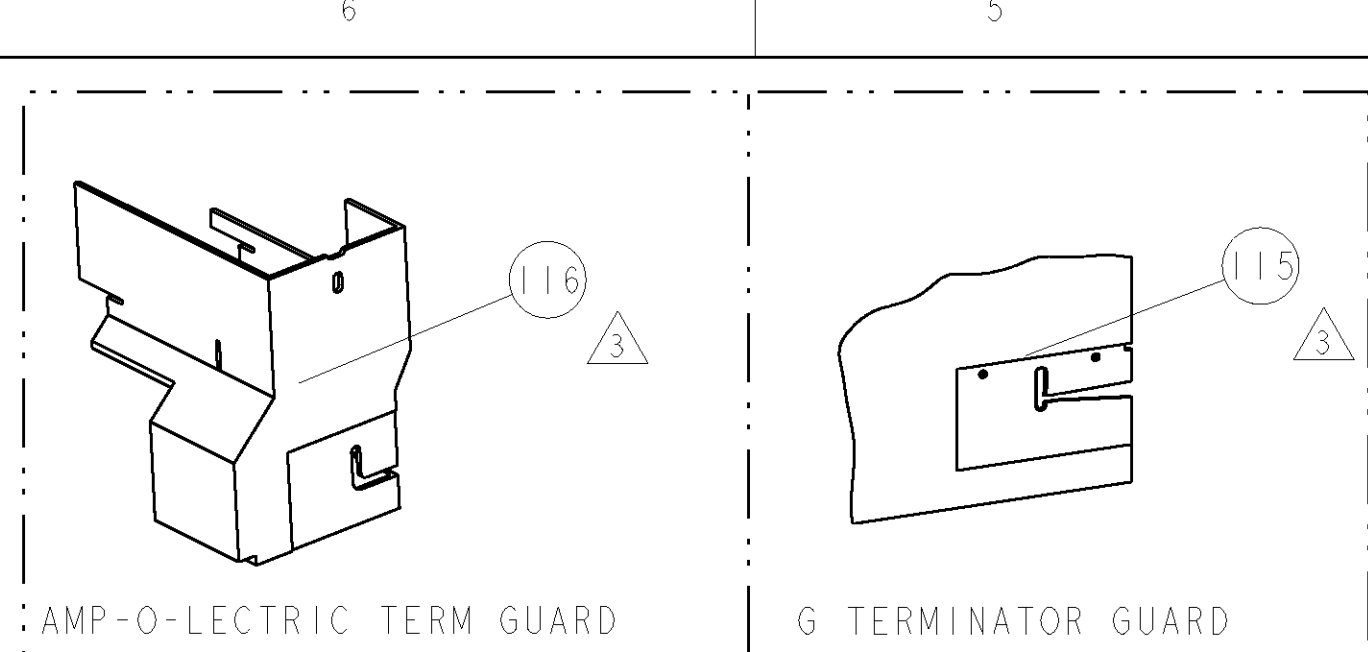


PART NUMBER	REV	FIRST USED	POWER UNIT	FEED TYPE	DESCRIPTION
1855389-1	A	122500-1	LEADMAKER	POST FEED	CUTS CARRIER
1855389-2	A	565435-5	BENCH MODEL K	PRE FEED	CUTS CARRIER
1855389-3	A	354500-1	BENCH MODEL G	PRE FEED	CUTS CARRIER
1855389-6	A	122500-1	LEADMAKER	POST FEED	CONTINUOUS CARRIER
7-1855389-7	A	-	-	-	SPARE PARTS

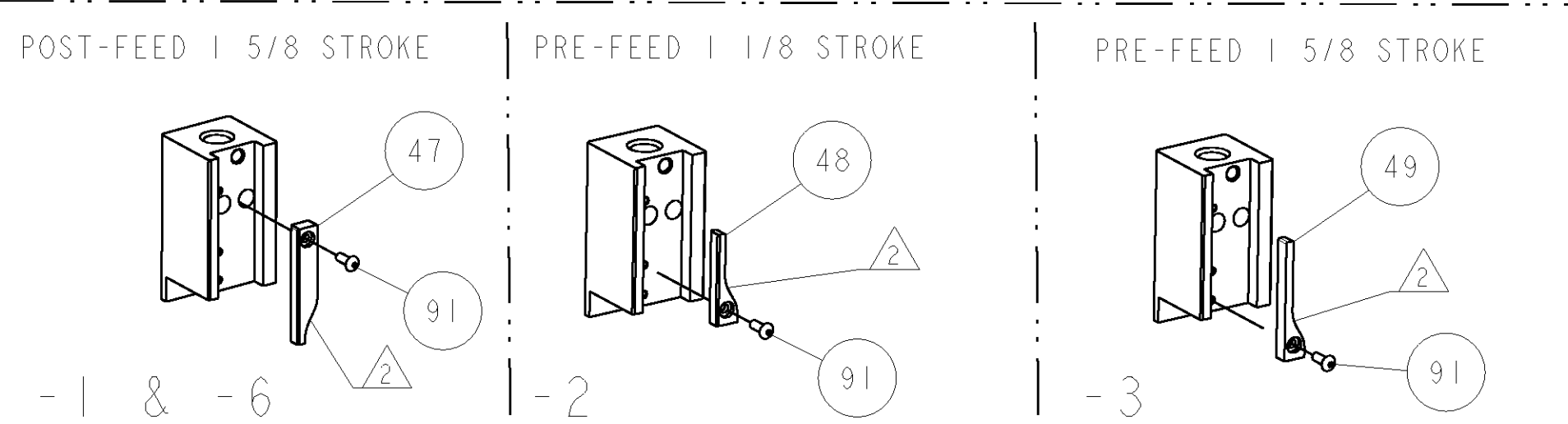
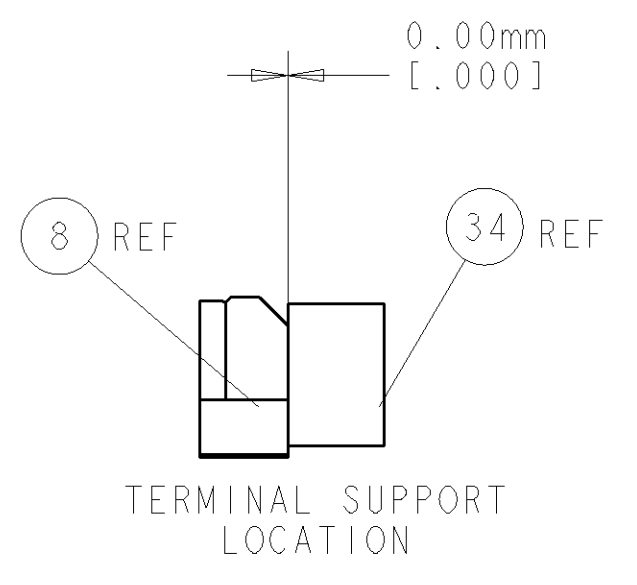
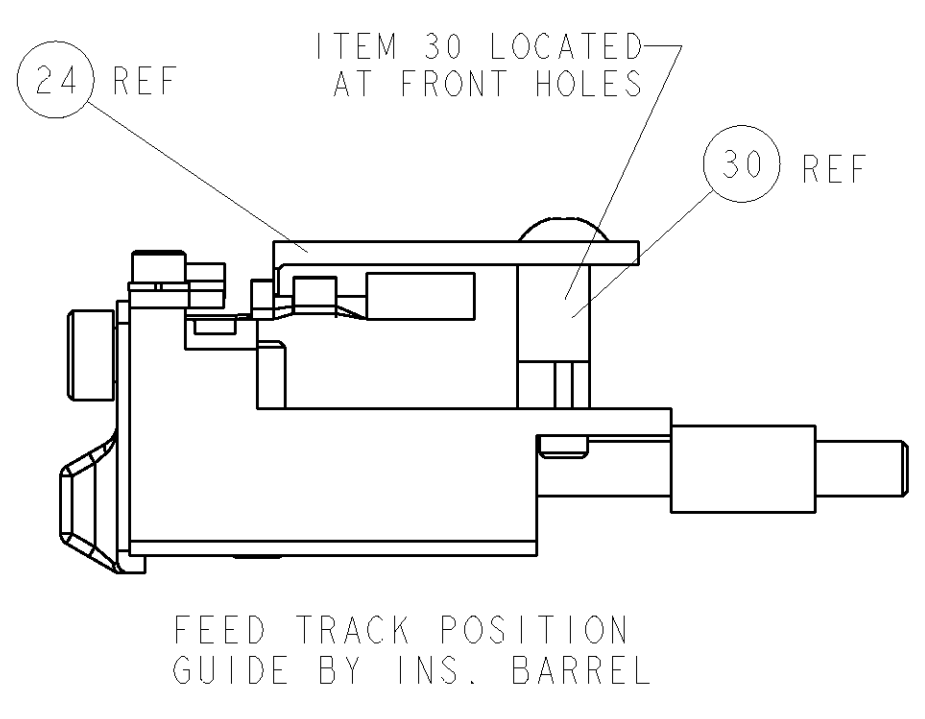
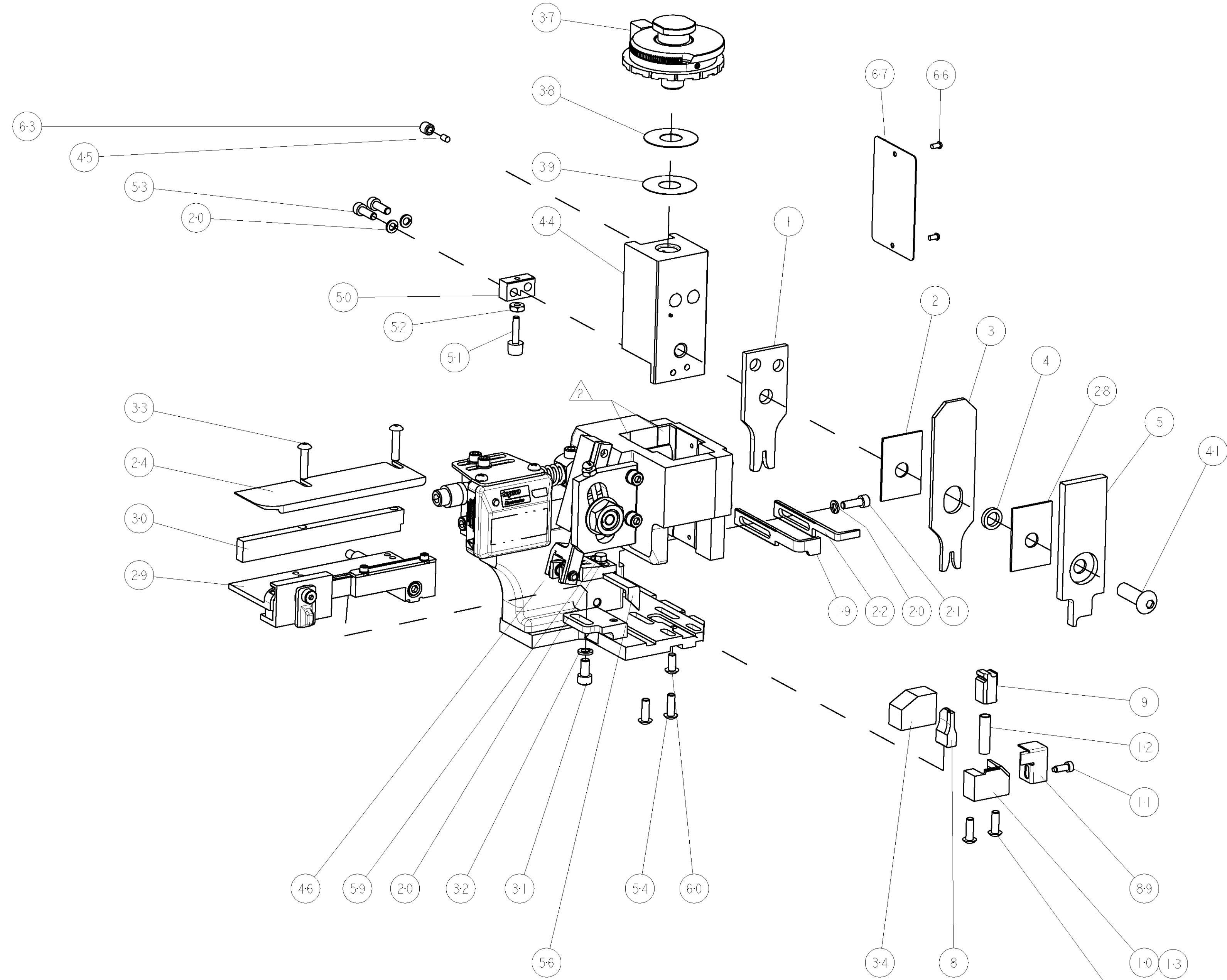


TE P/N		MOLEX P/N		MOLEX TERMINAL - TE CRIMP SPECS		REF SETTING
1572933	0330440001					
				CRIMP HEIGHT	WIRE SIZE	
				1.65mm+ .05/- .05 [ .065+ .002/- .002 ]	18AWG	B0
				1.50mm+ .05/- .05 [ .059+ .002/- .002 ]	20AWG	C2
				CRIMP	SIZE	TYPE
						RANGE
				WIRE	1.98mm [ .078 ]	F
				INSUL	2.67mm [ .105 ]	F
						Ø 2.388 MAX
WIRE STRIP LENGTH	TERM APPL SPEC	FEED	APPLICATOR INSTRUCTIONS		SET UP GAGE	
4.623-5.004	NONE	18.542	408-8040		458637-1	

LOC	DIST	REVISIONS					
A	66	P	LTR	DESCRIPTION	DATE	DWN	APVD
		A		RELEASED	27MAR2008	BH	BH

- △ RECOMMENDED SPARE PARTS
- △ GREASE LIGHTLY
- △ GUARD MUST BE IN PLACE WHEN OPERATING APPLICATOR IN A BENCH MACHINE

**\* WARNING**  
ON INSTALLATION, SET WIRE DISC TO LARGEST WIRE SIZE SETTING. USE OF SETTINGS BELOW MIN. REQUIRED CRIMP HEIGHT SETTING WILL CAUSE DAMAGE TO CRIMP TOOLING.



△	-	-	-	REF	-	..	455749-1	GUARD WINDOW	116
△	-	-	REF	-	-	..	679532-1	INSERT, GUARD	115
-	-	-	-	-	-	-	1-21002-7	SCR, BTN SKT HD CAP 6-32 X .375	91
-	-	-	-	-	-	-	318563-1	GUARD, FRONT CHIP	89
-	-	-	-	-	-	-	4088040	SF APPL INST 408-8040	72
-	-	-	-	-	-	-	217238-1	GENERAL INSTRUCTION PKG	71
-	-	-	-	-	-	-	461264-5	PLATE, IDENTIFICATION	67
-	-	-	-	-	-	-	21017-2	SCREW, DRIVE	66
-	-	-	-	-	-	-	21009-2	SCR, SET, SELF LOCKING 1/4-20 X .250	63
-	-	-	-	-	-	-	22733-8	SCR, BHSC, SELF-LOCKING, 8-32 X .375	60
-	-	-	-	-	-	-	2-22603-0	SCR, HEX HD CAP 8-32 X .312	59
-	-	-	-	-	-	-	458537-2	PAWL, FEED	56
-	-	-	-	-	-	-	2-21002-2	SCR, BTN SKT HD CAP 8-32 X .500	54
-	-	-	-	-	-	-	2-21000-7	SCR, SKT HD CAP 8-32 X .500	53
-	-	-	-	-	-	-	21018-5	NUT, HEX, REG 6-32	52
-	-	-	-	-	-	-	811242-2	BUMPER, HOLD DOWN	51
-	-	-	-	-	-	-	690753-1	SPACER, TONKER	50
-	-	-	-	-	-	-	690602-6	CAM, PRE FEED, 1 5/8	49
-	-	-	-	-	-	-	690602-5	CAM, PRE FEED, 1 1/8	48
-	-	-	-	-	-	-	690501-4	CAM, POST FEED, 1 5/8	47
-	-	-	-	-	-	-	459456-1	APPL. BASIC SUB ASSY (SIDE WISE MOCA)	46
-	-	-	-	-	-	-	690191-1	PLUG, NYLON	45
-	-	-	-	-	-	-	455673-1	RAM, SIDE FEED	44
-	-	-	-	-	-	-	7-21002-9	SCR, BTN SKT HD CAP 5/16-24 X 1.00	41
-	-	-	-	-	-	-	690125-1	SHIM SUB-ASSY	39
-	-	-	-	-	-	-	1-469367-0	SHIM	38
-	-	-	-	-	-	-	879103-3	FINE ADJUST HEAD ASSEMBLY	37
-	-	-	-	-	-	-	2-690786-3	TERMINAL SUPPORT	34
-	-	-	-	-	-	-	2-21002-4	SCR, BTN SKT HD CAP 8-32 X .750	33
-	-	-	-	-	-	-	21024-5	WASHER, SPRG LOCK, REG NO 10	32
-	-	-	-	-	-	-	3-21000-4	SCR, SKT HD CAP 10-32 X .375	31
-	-	-	-	-	-	-	1320908-1	SPACER, STRIP GUIDE	30
-	-	-	-	-	-	-	1633091-1	ASSEMBLY, STRIP GUIDE	29
-	-	-	-	-	-	-	1-455888-0	SPACER, CRIMPER	28
-	-	-	-	-	-	-	1320928-1	PLATE, STRIP GUIDE	24
-	-	-	-	-	-	-	690472-2	STRIPPER	22
-	-	-	-	-	-	-	2-21000-7	SCR, SKT HD CAP 8-32 X .500	21
-	-	-	-	-	-	-	21024-4	WASHER, SPRG LOCK, REG NO 8	20
-	-	-	-	-	-	-	691353-1	STRIPPER	19
△	-	-	-	-	-	-	679625-1	SHEAR HOLDER, FRONT (NO CUT)	13
△	-	-	-	-	-	-	3-22280-3	SPRING, COMPRESSION	12
△	-	-	-	-	-	-	690461-1	STOP, SHEAR	11
△	-	-	-	-	-	-	690459-1	SHEAR HOLDER, FRONT	10
△	-	-	-	-	-	-	462006-1	FLOATING SHEAR, FRONT	9
△	-	-	-	-	-	-	6-1633535-7	ANVIL, COMBINATION	8
-	-	-	-	-	-	-	-	-	7
-	-	-	-	-	-	-	-	-	6
-	-	-	-	-	-	-	2-455889-0	DEPRESSOR, SHEAR	5
-	-	-	-	-	-	-	238011-4	BLOCK, CRIMPER SPACER	4
△	-	-	-	-	-	-	5-1213077-7	CRIMPER, INSULATION PREMIUM	3
△	-	-	-	-	-	-	455888-9	SPACER, CRIMPER	2
△	-	-	-	-	-	-	4-568176-6	CRIMPER, WIRE	1

DIMENSIONS:		TOLERANCES UNLESS OTHERWISE SPECIFIED:		DWN		Tyco Electronics	
INCHES	9 PLC ± .01	1 PLC ± .01	3 PLC ± .001	4 PLC ± .0001	12MAR2008	12MAR2008	Tyco Electronics Harrisburg, PA 17105-3608
	ANGLES ± .0001						
MATERIAL	FINISH	WEIGHT	SCALE	3:5	SHEET	1	REV A

CUSTOMER VIEWABLE ASSEMBLY

# Mouser Electronics

Authorized Distributor

Click to View Pricing, Inventory, Delivery & Lifecycle Information:

[TE Connectivity:](#)

[1855389-6](#)