

4

3

2

1


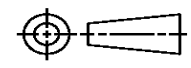
THIS DRAWING IS UNPUBLISHED. RELEASED FOR PUBLICATION  
© COPYRIGHT ALL RIGHTS RESERVED.

LOC	DIST	REVISIONS			
P	LTR	DESCRIPTION	DATE	DWN	APVD
	A1	ECR-14-003331	12MAR2014	GK	HMR

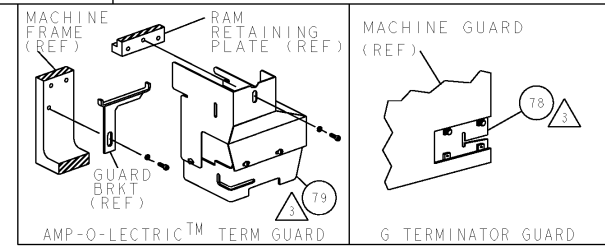
# REPLACED BY OCEAN STYLE APPLICATOR PART NUMBER 2150003-2

FOR REPLACEMENT PARTS FOR APPLICATOR 1855182 REFER TO ADDITIONAL PAGE(S). SPARE PARTS KIT (IF LISTED) WILL REMAIN AVAILABLE.

THE REPLACEMENT OCEAN STYLE APPLICATOR HAS THE SAME TERMINATOR/PRESS INTERFACE AS APPLICATOR 1855182

THIS DRAWING IS A CONTROLLED DOCUMENT.		DWN	GOPALAKRISHNA HV			TE Connectivity	
DIMENSIONS:		CHK	RAGHAVENDRA			NAME	
		TOLERANCES UNLESS OTHERWISE SPECIFIED:		APVD	FINE ADJUST END FEED HDM APPLICATOR		
		0 PLC ±	1 PLC ±	PRODUCT SPEC			
MATERIAL		2 PLC ±	3 PLC ±	APPLICATION SPEC			
FINISH		4 PLC ±	ANGLES ±	SIZE	CAGE CODE	DRAWING NO	RESTRICTED TO
				A3		©- 1855182	
				CUSTOMER DRAWING		SCALE	SHEET 1 OF 2 REV A1

PART NUMBER	REV	FIRST USED	POWER UNIT	FEED TYPE
1855182-1	A	122500-1	LEADMAKER & BENCH MODEL G	POST FEED
1855182-2	A	565435-5	BENCH MODEL K	POST FEED
7-1855182-7	A	-	SPARE PARTS	-

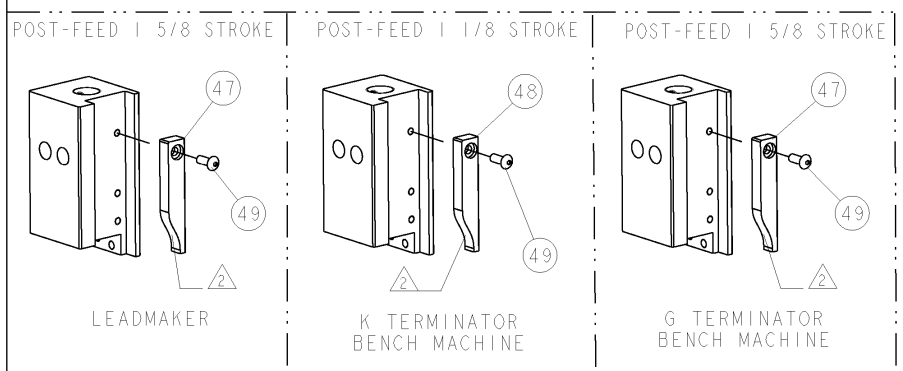
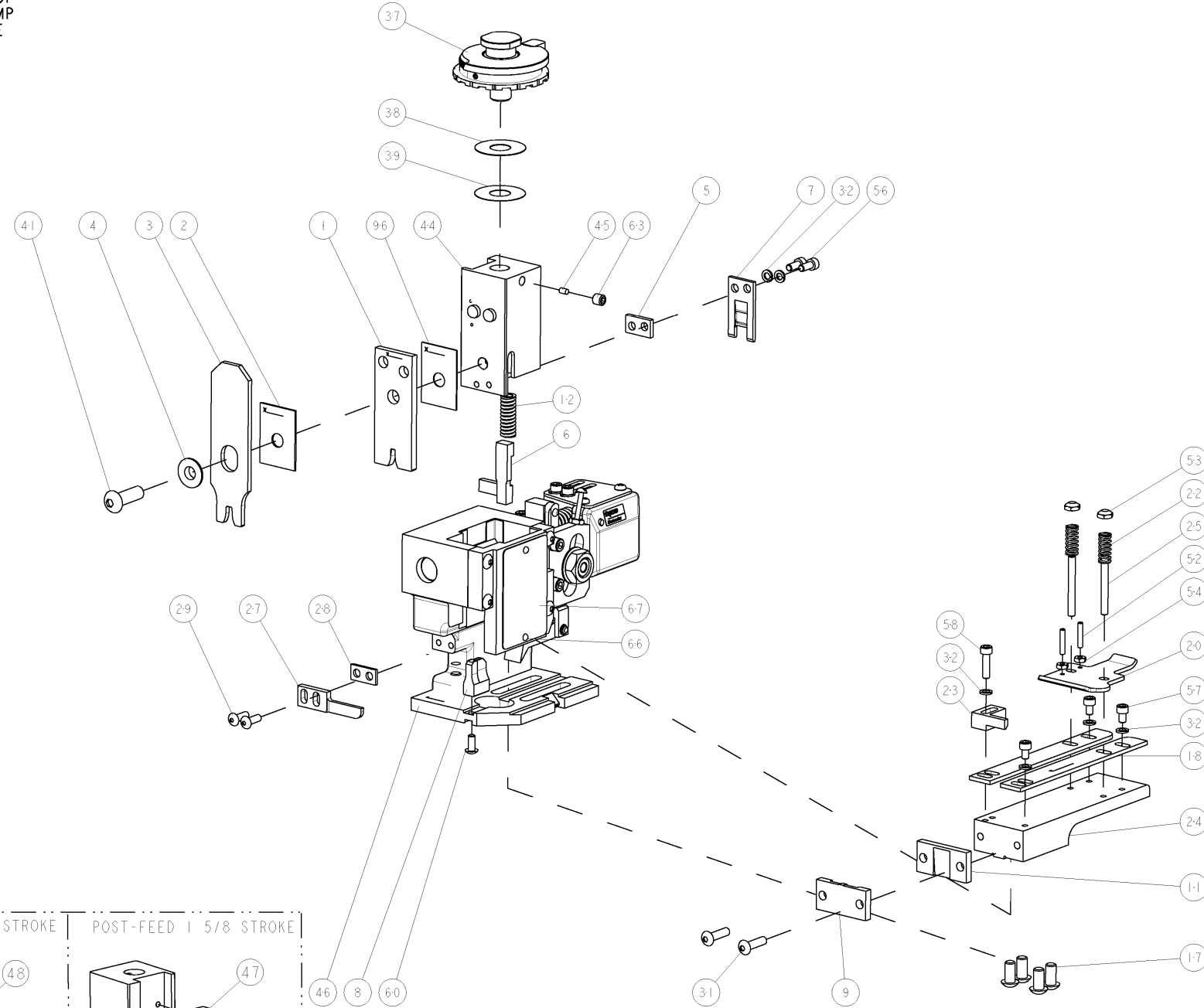


TYCO PN		MANUF PN		AMP TERMINAL - AMP CRIMP SPECS	
41274	-				
41202	-			CRIMP HEIGHT	WIRE SIZE
61107	-			1.90±0.05mm [1.075±.002]	14AWG or 2mm2
63500	-			1.68±0.05mm [1.066±.002]	16AWG or 1.3mm2
63537	-			1.55±0.05mm [1.061±.002]	18AWG or 0.8mm2
63655	-			-	-
63993	-			-	-
1217917	-			CRIMP	SIZE
153377	-			WIRE	3.05mm [1.20]
-	-			INSUL	4.57mm [1.80]
				FEED	21.46
				APPL INSTRUCTIONS	408-8039
				SET UP GAGE	458638-1

LOC	DIST	REV	DESCRIPTION	DATE	OWN	APPR
A	66	A	RELEASED	02FEB2007	MEH	GB

- 1 RECOMMENDED SPARE PARTS
- 2 GREASE LIGHTLY
- 3 GUARD MUST BE IN PLACE WHEN OPERATING APPLICATOR IN A BENCH MACHINE

**\*WARNING:**  
ON INSTALLATION, SET WIRE DISC TO LARGEST WIRE SIZE SETTING. USE OF SETTINGS BELOW MIN REQUIRED CRIMP HEIGHT SETTING WILL CAUSE DAMAGE TO CRIMP TOOLING.



QTY	REF	DESCRIPTION	ITEM NO
-	1	455888-5 SPACER, CRIMPER	96
-	REF	455745-1 GUARD WINDOW	79
-	REF	679532-1 INSERT, GUARD	78
-	1	217238-1 GENERAL INSTRUCTION PKG	72
-	1	4088039 EF APPL INST 408-8039	71
-	1	461264-5 PLATE, IDENTIFICATION	67
-	2	21017-2 SCREW, DRIVE	66
-	1	21009-2 SCR, SET, SELF LOCKING 1/4-20 X .250	63
-	1	22733-8 SCR, BHSC, SELF-LOCKING, 8-32 X .375	60
-	1	2-21000-8 SCR, SKT HD CAP 8-32 X .625	58
-	3	2-21000-5 SCR, SKT HD CAP 8-32 X .250	57
-	2	2-21000-6 SCR, SKT HD CAP 8-32 X .375	56
-	2	21018-4 NUT, HEX, REG 4-40	54
-	2	21022-2 NUT, LOCK, HEX, TORQUE, 8-32	53
-	2	2-21006-6 SCR, SET, CUP POINT 4-40 X .625	52
-	1	1-21002-7 SCR, BTN SKT CAP 6-32 X .375	49
-	1	690501-3 CAM, POST FEED, 1 1/8	48
-	1	690501-4 CAM, POST FEED, 1 5/8	47
-	1	458980-1 SUB ASSY, APPLICATOR FRAME	46
-	1	690191-1 PLUG, NYLON	45
-	1	455674-1 RAM	44
-	1	7-21002-9 SCR, BTN SKT HD CAP 5/16-24 X 1.00	41
-	1	690125-1 SHIM SUB-ASSY	39
-	1	1-469367-0 SHIM	38
-	1	879103-2 FINE ADJUST HEAD ASSEMBLY	37
-	6	21024-4 WASHER, SPRG LOCK, REG NO 8	32
-	2	2-21002-9 SCR, BTN SKT HD CAP 10-32 X .750	31
-	2	2-21002-2 SCR, BTN SKT HD CAP 8-32 X .500	29
-	1	3-690451-2 SPACER, STRIPPER	28
-	1	240639-1 STRIPPER (MACHINING)	27
-	2	22354-8 STUD, THREADED	25
-	1	455678-1 PLATE, STRIP GUIDE	24
-	1	240825-2 PLATE, STRIP HOLD DOWN	23
-	2	4-22281-1 SPRING, DRAG	22
-	1	454177-1 DRAG	20
-	2	454204-3 GUIDE, LOWER STRIP	18
-	4	3-21002-3 SCR, BTN SKT HD CAP 1/4-20 X .500	17
-	1	23846-1 SPRING, DIE	12
-	1	240644-1 PLATE, REAR SHEAR	11
-	1	690495-6 PLATE, FRONT SHEAR	9
-	1	240655-1 ANVIL, COMBINATION	8
-	1	690474-4 BLADE, SLUG	7
-	1	1-455892-1 HOLD DOWN, TERMINAL	6
-	1	240641-7 SPACER	5
-	1	238009-1 BLOCK, FL CRIMPER SPACER	4
-	1	4-456134-6 CRIMPER, INSULATION F PREMIUM	3
-	1	455888-9 SPACER, CRIMPER	2
-	1	456423-1 CRIMPER, WIRE PREMIUM	1

APPROVED: T. BENCHOFF	DATE: 27 JAN 2007	NAME: T. BENCHOFF
DESIGNED: M. HERB	DATE: 24 JAN 2007	NAME: M. HERB
CHECKED: ELBIN	DATE: 24 JAN 2007	NAME: ELBIN
APPROVED: T. BENCHOFF	DATE: 27 JAN 2007	NAME: T. BENCHOFF
<b>tyco</b> Tyco Electronics Harrisburg, PA 17105-3608		
DIMENSIONS: INCHES TOLERANCES UNLESS OTHERWISE SPECIFIED: 0 PLC ±.01 1 PLC ±.01 2 PLC ±.01 3 PLC ±.001 4 PLC ±.0001 ANGLES ±		
MATERIAL: FINISH: WEIGHT: APPLICATION SPEC: SIZE: CARE CODE: DRAWING NO: RESTRICTED TO:		
CUSTOMER DRAWING: SCALE: 3:5 SHEET 1 OF 1 REV A		

CUSTOMER VIEWABLE ASSEMBLY

# Mouser Electronics

Authorized Distributor

Click to View Pricing, Inventory, Delivery & Lifecycle Information:

[TE Connectivity:](#)

[1855182-2](#)