

4

3

2

1

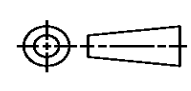
THIS DRAWING IS UNPUBLISHED. RELEASED FOR PUBLICATION
 © COPYRIGHT ALL RIGHTS RESERVED.

LOC	DIST	REVISIONS			
P	LTR	DESCRIPTION	DATE	DWN	APVD
	A1	ECR-14-001793	06FEB2014	GK	HMR

REPLACED BY OCEAN STYLE APPLICATOR PART NUMBER 2150178-2

FOR REPLACEMENT PARTS FOR APPLICATOR 1852853 REFER TO ADDITIONAL PAGE(S). SPARE PARTS KIT (IF LISTED) WILL REMAIN AVAILABLE.

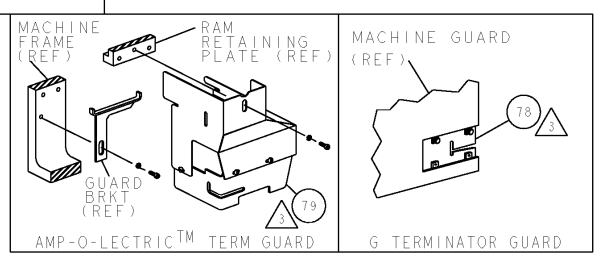
THE REPLACEMENT OCEAN STYLE APPLICATOR HAS THE SAME TERMINATOR/PRESS INTERFACE AS APPLICATOR 1852853

THIS DRAWING IS A CONTROLLED DOCUMENT.		DWN	GOPALAKRISHNA HV		
DIMENSIONS:		CHK	RAGHAVENDRA		
		APVD	RAGHAVENDRA		
TOLERANCES UNLESS OTHERWISE SPECIFIED:		PRODUCT SPEC	NAME		
0 PLC	±	APPLICATION SPEC	END FEED HDM APPLICATOR		
1 PLC	±		SIZE	CAGE CODE	DRAWING NO
2 PLC	±		A3		©- 1852853
3 PLC	±				RESTRICTED TO
4 PLC	±				
ANGLES	±	WEIGHT			
MATERIAL	FINISH	CUSTOMER DRAWING	SCALE	SHEET 1 OF 2	REV A1



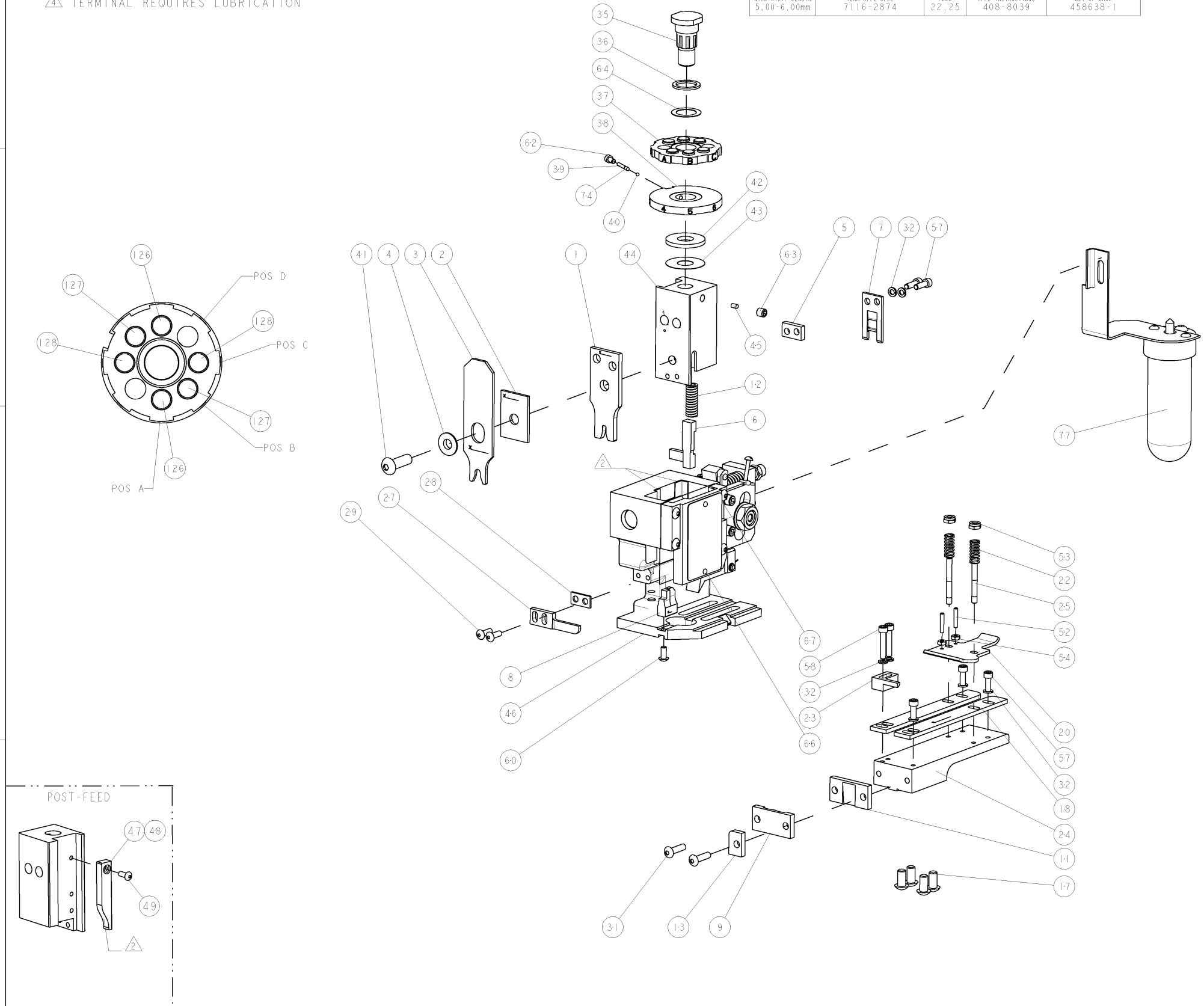
PART NUMBER	REV	FIRST USED	POWER UNIT	FEED TYPE
1852853-1	A	122500-1	LEADMAKER & BENCH MODEL G	POST FEED
1852853-2	A	565435-5	BENCH MODEL K	POST FEED
7-1852853-7	A	-	SPARE PARTS	-

- △ RECOMMENDED SPARE PARTS
- △ GREASE LIGHTLY
- △ GUARD MUST BE IN PLACE WHEN OPERATING APPLICATOR IN A BENCH MACHINE
- △ TERMINAL REQUIRES LUBRICATION

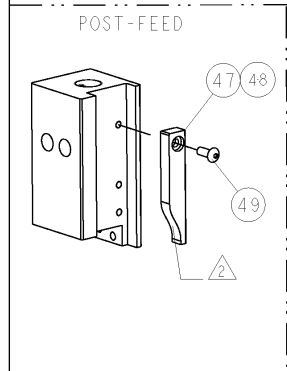


TERMINAL NAME: TERMINAL, FEMALE X TYPE					
TE	MFR	YAZAKI TERMINAL - YAZAKI CRIMP SPECS			
1949572	7116-2874	PAD LTR	CRIMP HEIGHT	WIRE SIZE	
-	-	A	.073±.002 [1.85±0.05mm]	3mm2	
-	-	B	.065±.002 [1.65±0.05mm]	2.5mm2	
-	-	C	.061±.002 [1.55±0.05mm]	2mm2	
-	-	D	-	-	
SEAL PN	WIRE	CRIMP	SIZE	TYPE	RANGE
1949977	7157-3571	WIRE	.126 [3.20mm]	F	2.0-3.0mm2
-	-	INSUL	.209 [5.30mm]	O	∅2.9-4.1mm
WIRE STRIP LENGTH	TERM APPL SPEC	FEED	APPL INSTRUCTIONS	SET UP GAGE	
5.00-6.00mm	7116-2874	22.25	408-8039	458638-1	

LOC	DIST	REVISIONS			
P	LYR	DESCRIPTION	DATE	DNW	APVD
A	66	RELEASED	22JUL2009	ROW	GEB



-	2	2	-	354779-8	PIN, WIRE DISC, .3030	128
-	2	2	-	9-354778-9	PIN, WIRE DISC, .2990	127
-	2	2	-	8-354778-3	PIN, WIRE DISC, .2910	126
-	REF	-	-	455745-1	GUARD WINDOW	79
-	-	REF	-	679532-1	INSERT, GUARD	78
-	1	-	-	465184-9	LUBRICATOR ASSY	77
-	1	1	-	690603-1	SPRING ASSIST AMP-O-MATOR APPLICATOR	74
-	1	1	-	217238-1	GENERAL INSTRUCTION PKG	72
-	1	1	-	4088039	EF APPL INST 408-8039	71
-	1	1	-	461264-1	PLATE, IDENTIFICATION	67
-	2	2	-	21017-2	SCREW, DRIVE	66
-	1	1	-	986950-1	WASHER, FLAT PRECISION	64
-	1	1	-	21009-2	SCR, SET, SELF LOCKING 1/4-20 X .250	63
-	1	1	-	23030-1	SCR, SKT HD CAP 6-32 X .25	62
-	1	1	-	22733-8	SCR, BHSC, SELF-LOCKING, 8-32 X .375	60
-	2	2	-	3-21000-0	SCR, SKT HD CAP 8-32 X .875	58
-	5	5	-	2-21000-7	SCR, SKT HD CAP 8-32 X .500	57
-	2	2	-	21018-4	NUT, HEX, REG 4-40	54
-	2	2	-	21022-2	NUT, LOCK, HEX, TORQUE, 8-32	53
-	2	2	-	2-21006-6	SCR, SET, CUP POINT 4-40 X .625	52
-	1	1	-	1-21002-7	SCR, BTN SKT CAP 6-32 X .375	49
-	1	-	-	690501-3	CAM, POST FEED, 1/8	48
-	-	1	-	690501-4	CAM, POST-FEED 1/8	47
-	1	1	-	458980-2	SUB ASSY, APPLICATOR FRAME	46
-	1	1	-	690191-1	PLUG, NYLON	45
-	1	1	-	455674-1	RAM	44
-	1	1	-	690125-1	SHIM SUB-ASSY	43
-	1	1	-	690124-1	WASHER, RAM (.115)	42
-	1	1	-	7-21002-9	SCR, BTN SKT HD CAP 5/16-24 X 1.00	41
-	1	1	-	23241-6	BALL, STEEL	40
-	1	1	-	690170-1	SPRING, COMPRESSION	39
-	1	1	-	1-690142-2	DISC, INSULATION	38
-	1	1	-	354777-1	WIRE DISC, ASSEMBLY	37
-	1	1	-	22480-5	SPRING, COMPRESSION	36
-	1	1	-	690212-1	POST, RAM	35
-	7	7	-	21024-4	WASHER, SPRG LOCK, REG NO 8	32
-	2	2	-	2-21002-9	SCR, BTN SKT HD CAP 10-32 X .750	31
-	2	2	-	2-21002-2	SCR, BTN SKT HD CAP 8-32 X .500	29
-	1	1	-	1-690451-4	SPACER, STRIPPER	28
-	1	1	-	240639-1	STRIPPER (MACHINING)	27
-	2	2	-	22354-8	STUD, THREADED	25
-	1	1	-	455678-1	PLATE, STRIP GUIDE	24
-	1	1	-	240825-5	PLATE, STRIP HOLD DOWN	23
-	2	2	-	4-22281-1	SPRING, DRAG	22
-	1	1	-	454177-1	DRAG	20
-	2	2	-	454204-4	GUIDE, LOWER STRIP	18
-	4	4	-	3-21002-3	SCR, BTN SKT HD CAP 1/4-20 X .500	17
-	1	1	-	2-690481-0	SPACER, HOLD DOWN	13
-	1	1	-	23846-1	SPRING, DIE	12
-	1	1	-	240644-1	PLATE, REAR SHEAR	11
-	-	-	-	-	-	10
△	1	1	-	690482-4	PLATE, FRONT SHEAR	9
△	1	1	-	1633666-2	ANVIL, COMBINATION	8
△	1	1	-	690474-4	BLADE, SLUG	7
-	1	1	-	1-455892-1	HOLD DOWN, TERMINAL	6
-	1	1	-	1-240641-0	SPACER	5
-	1	1	-	238009-8	BLOCK, FL CRIMPER SPACER	4
△	1	1	-	1-1633710-0	CRIMPER, INSULATION O	3
-	1	1	-	1-455888-9	SPACER, CRIMPER	2
△	1	1	-	1-1673600-9	CRIMPER, WIRE	1



DIMENSIONS		TOLERANCES UNLESS OTHERWISE SPECIFIED:		MATERIAL		FINISH		WEIGHT		CUSTOMER DRAWING	
INCHES	0 PLC ±.010	1 PLC ±.005	2 PLC ±.003	3 PLC ±.001	4 PLC ±.0005	ANODIZED	-	-	-	-	-
MATERIAL	-	FINISH	-	WEIGHT	-	CUSTOMER DRAWING	-	SCALE	3:5	SHEET	1 OF 1

Mouser Electronics

Authorized Distributor

Click to View Pricing, Inventory, Delivery & Lifecycle Information:

[TE Connectivity:](#)

[1852853-1](#)