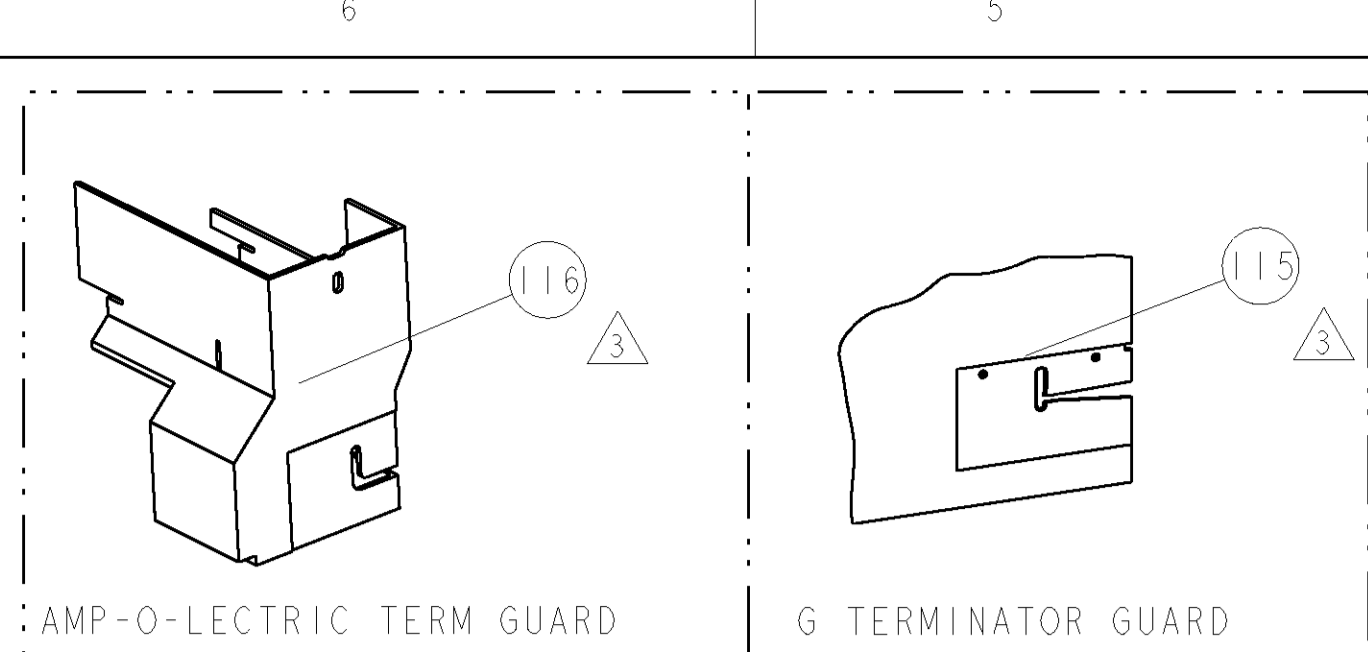


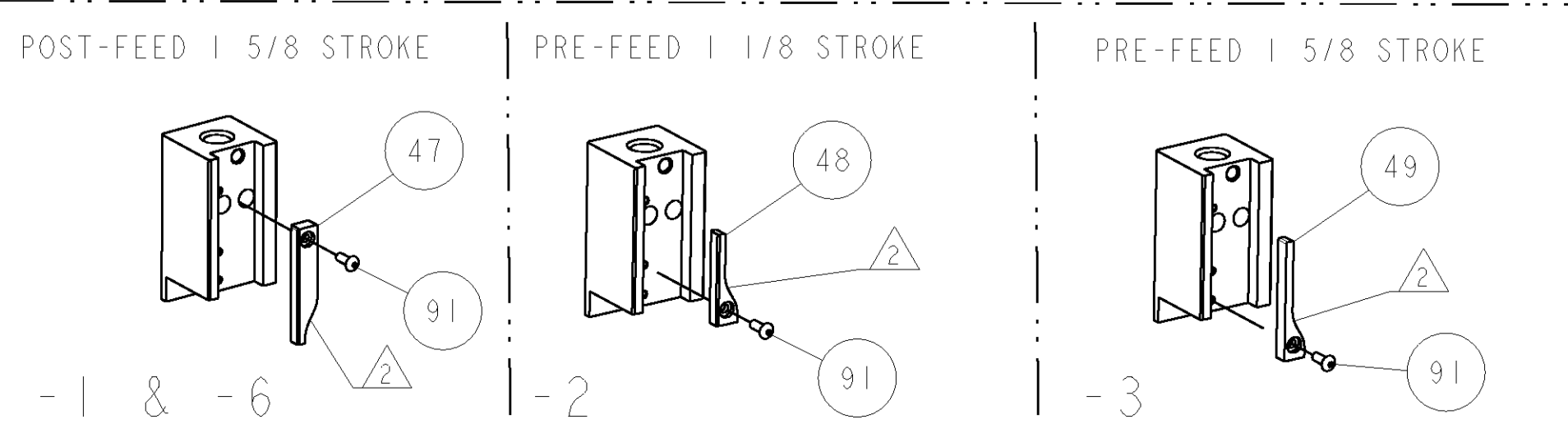
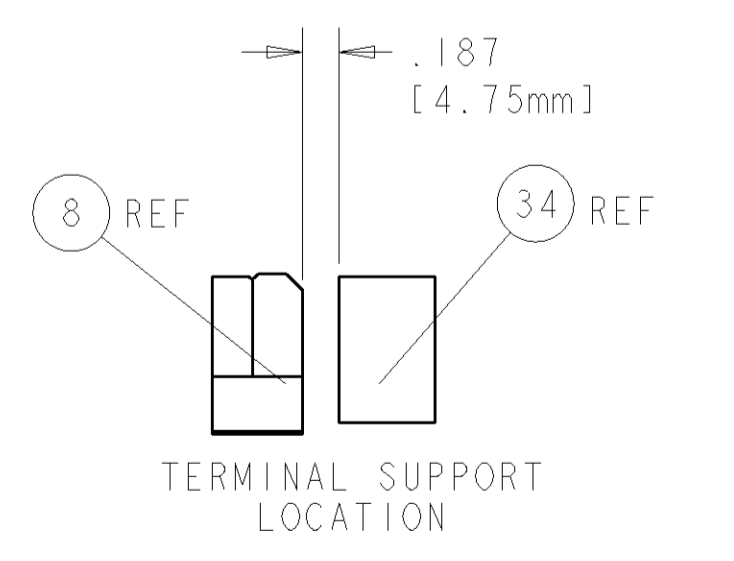
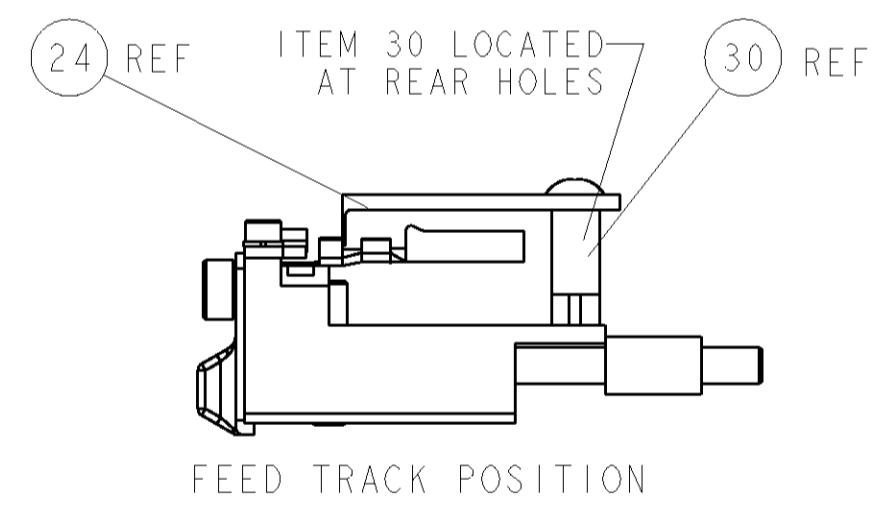
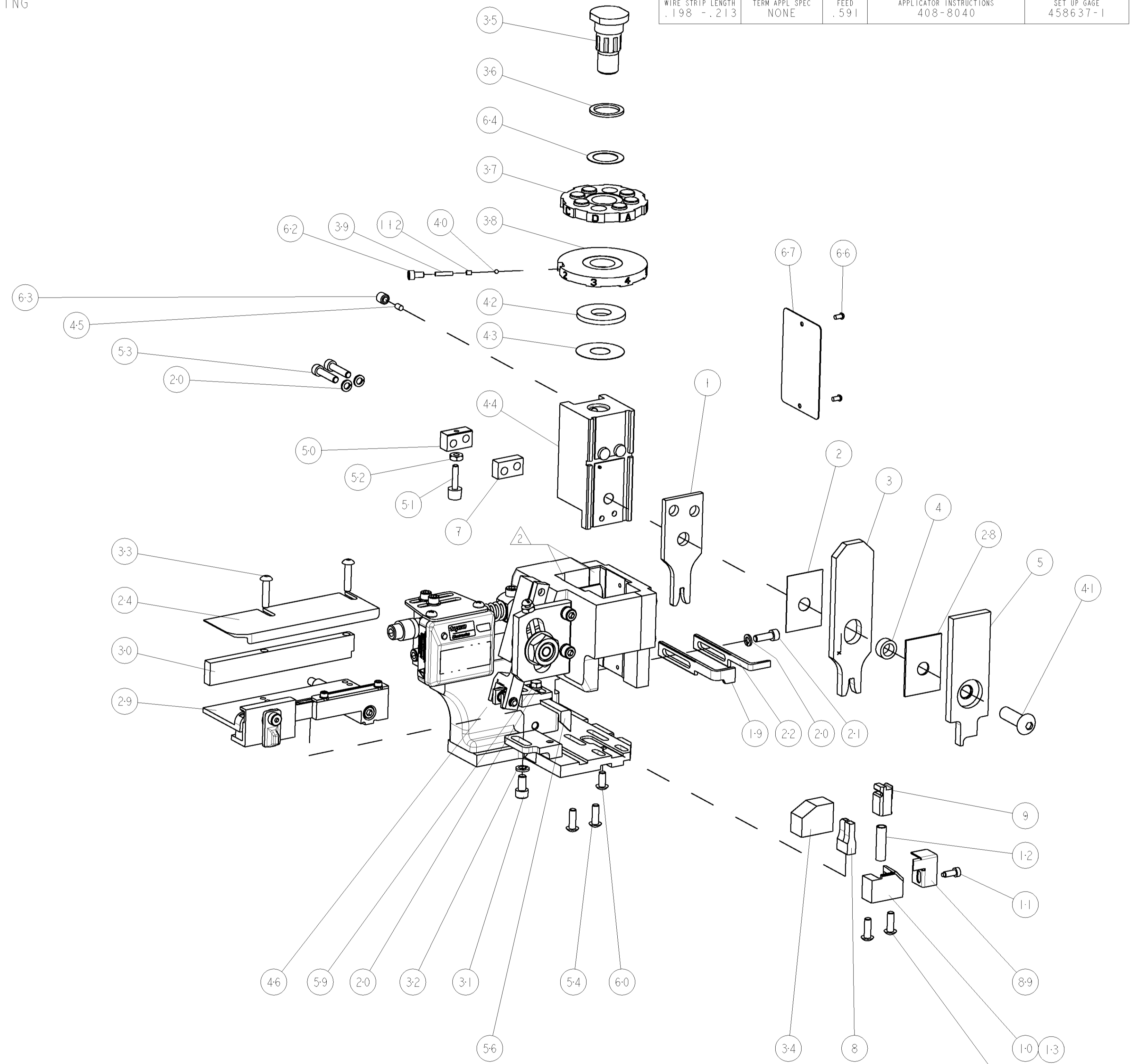
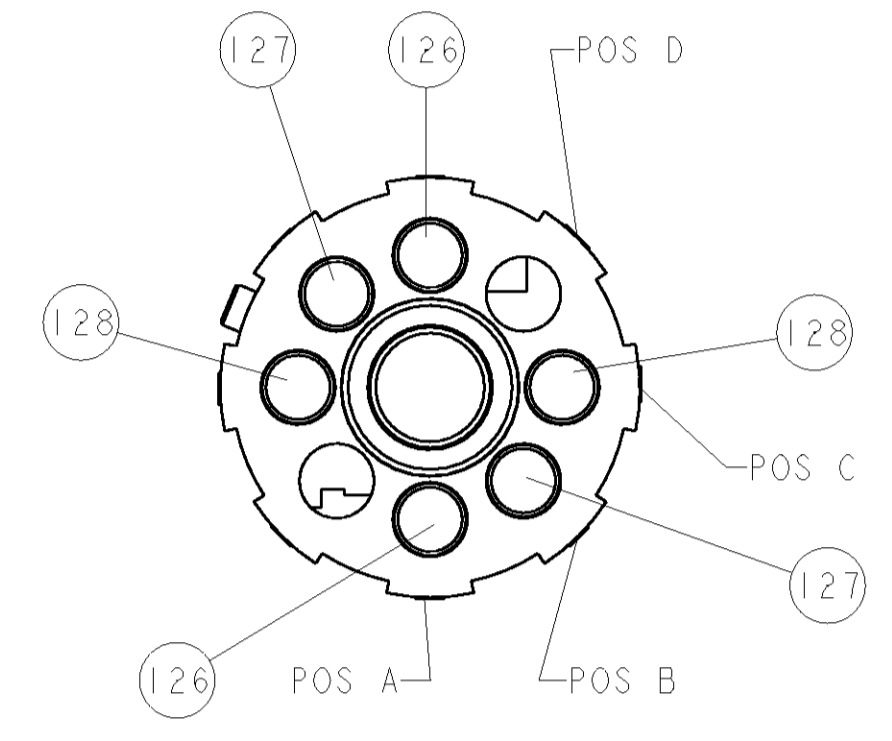
PART NUMBER	REV	FIRST USED	POWER UNIT	FEED TYPE	DESCRIPTION
1852511-1	A	122500-1	LEADMAKER	POST FEED	CUTS CARRIER
1852511-2	A	565435-5	BENCH MODEL K	PRE FEED	CUTS CARRIER
1852511-3	A	354500-1	BENCH MODEL G	PRE FEED	CUTS CARRIER
1852511-6	A	122500-1	LEADMAKER	POST FEED	CONTINUOUS CARRIER
7-1852511-7	A	-	-	-	SPARE PARTS



TE PN		ETCO PN		ETCO TERMINAL - AMP CRIMP SPECS	
1949426	-	51517	-	CRIMP HEIGHT	WIRE SIZE
-	-	-	-	A .070±.002 [1.78±0.05mm]	14AWG
-	-	-	-	B .063±.002 [1.60±0.05mm]	16AWG
-	-	-	-	C .057±.002 [1.45±0.05mm]	18AWG
-	-	-	-	D -	-
-	-	-	-	CRIMP	SIZE TYPE RANGE
-	-	-	-	WIRE	.110 [2.79mm] F 14-18 AWG
-	-	-	-	INSUL	.160 [4.06mm] F ∅.130 MAX
WIRE STRIP LENGTH	TERM APPL SPEC	FEED	APPLICATOR INSTRUCTIONS	SET UP GAGE	
.198 - .213	NONE	.591	408-8040	458637-1	

LOC	DIST	REV	DESCRIPTION	DATE	DWN	APVD
A	66					
		A	RELEASED	26JUL2007	LG	TE
		A1	ECR-08022358	05SEP2008	DM	GB

- △ RECOMMENDED SPARE PARTS
- △ GREASE LIGHTLY
- △ GUARD MUST BE IN PLACE WHEN OPERATING APPLICATOR IN A BENCH MACHINE



-	2	2	2	2	-	2-354779-3	PIN, WIRE DISC, .3105	128
-	2	2	2	2	-	1-354779-1	PIN, WIRE DISC, .3045	127
-	2	2	2	2	-	9-354778-4	PIN, WIRE DISC, .2965	126
△	-	-	REF	-	..	455749-1	GUARD WINDOW	116
△	-	-	REF	-	..	679532-1	INSERT, GUARD	115
-	1	1	1	1	-	690603-1	SPRING ASSIST AMP-O-MATOR APPLICATOR	112
-	1	1	1	1	-	1-21002-7	SCR, BTN SKT HD CAP 6-32 X .375	91
-	1	1	1	1	-	318563-1	GUARD, FRONT CHIP	89
-	1	1	1	1	-	4088040	SF APPL INST 408-8040	72
-	1	1	1	1	-	217238-1	GENERAL INSTRUCTION PKG	71
-	1	1	1	1	-	461264-1	PLATE, IDENTIFICATION	67
-	2	2	2	2	-	21017-2	SCREW, DRIVE	66
-	1	1	1	1	-	986950-1	WASHER, FLAT PRECISION	64
-	1	1	1	1	-	21009-2	SCR, SET, SELF LOCKING 1/4-20 X .250	63
-	1	1	1	1	-	23030-1	SCR, SKT HD CAP 6-32 X .25	62
-	1	1	1	1	-	22733-8	SCR, BHSC, SELF-LOCKING, 8-32 X .375	60
-	1	1	1	1	-	2-22603-0	SCR, HEX HD CAP 8-32 X .312	59
-	1	1	1	1	-	458537-2	PAWL, FEED	56
-	4	4	4	4	-	2-21002-2	SCR, BTN SKT HD CAP 8-32 X .500	54
-	2	2	2	2	-	2-21000-9	SCR, SKT HD CAP 8-32 X .750	53
-	1	1	1	1	-	21018-5	NUT, HEX, REG 6-32	52
-	1	1	1	1	-	811242-2	BUMPER, HOLD DOWN	51
-	1	1	1	1	-	690753-1	SPACER, TONKER	50
-	-	-	-	-	..	690602-6	CAM, PRE FEED, 1 5/8	49
-	-	-	-	-	..	690602-5	CAM, PRE FEED, 1 1/8	48
-	1	-	-	-	-	690501-4	CAM, POST-FEED 1 5/8	47
-	1	1	1	1	-	459456-1	APPL. BASIC SUB ASSY (SIDE WISE MOCA)	46
-	1	1	1	1	-	690191-1	PLUG, NYLON	45
-	1	1	1	1	-	819307-7	RAM, SIDE FEED	44
-	1	1	1	1	-	690125-1	SHIM SUB-ASSY	43
-	1	1	1	1	-	690124-1	WASHER, RAM (.115)	42
-	1	1	1	1	-	7-21002-9	SCR, BTN SKT HD CAP 5/16-24 X 1.00	41
-	1	1	1	1	-	23241-6	BALL, STEEL	40
-	1	1	1	1	-	690170-1	SPRING, COMPRESSION	39
-	1	1	1	1	-	690142-1	DISC, INSULATION	38
-	1	1	1	1	-	354777-1	WIRE DISC, ASSEMBLY	37
-	1	1	1	1	-	22480-5	SPRING, COMPRESSION	36
-	1	1	1	1	-	690212-1	POST, RAM	35
-	1	1	1	1	-	690786-3	TERMINAL SUPPORT	34
-	2	2	2	2	-	2-21002-4	SCR, BTN SKT HD CAP 8-32 X .750	33
-	1	1	1	1	-	21024-5	WASHER, SPRG LOCK, REG NO 10	32
-	1	1	1	1	-	3-21000-4	SCR, SKT HD CAP 10-32 X .375	31
-	1	1	1	1	-	1-1320908-2	SPACER, STRIP GUIDE	30
-	1	1	1	1	-	1633091-1	ASSEMBLY, STRIP GUIDE	29
-	1	1	1	1	-	1-455888-0	SPACER, CRIMPER	28
-	1	1	1	1	-	1320928-6	PLATE, STRIP GUIDE	24
-	1	1	1	1	-	690472-2	STRIPPER	22
-	1	1	1	1	-	2-21000-7	SCR, SKT HD CAP 8-32 X .500	21
-	4	4	4	4	-	21024-4	WASHER, SPRG LOCK, REG NO 8	20
-	-	1	1	-	-	691353-1	STRIPPER	19
△	-	1	1	-	-	679625-1	SHEAR HOLDER, FRONT (NO CUT)	13
△	-	1	1	1	-	3-22280-3	SPRING, COMPRESSION	12
△	-	1	1	1	-	690461-1	STOP, SHEAR	11
△	-	1	1	1	-	690459-1	SHEAR HOLDER, FRONT	10
△	-	1	1	1	-	454276-1	FLOATING SHEAR, FRONT	9
△	1	1	1	1	-	1-1633112-2	ANVIL, COMBINATION .110	8
-	1	1	1	1	-	2-240641-5	SPACER	7
-	-	-	-	-	..	-	-	6
-	1	1	1	1	-	2-455889-0	DEPRESSOR, SHEAR	5
-	1	1	1	1	-	3-238011-0	BLOCK, CRIMPER SPACER	4
△	1	1	1	1	-	9-683453-7	CRIMPER, INSULATION PREMIUM	3
△	1	1	1	1	-	455888-3	SPACER, CRIMPER	2
△	1	1	1	1	-	2-456408-8	CRIMPER, WIRE PREMIUM	1

INCHES	TOLERANCES UNLESS OTHERWISE SPECIFIED:	APVD	DATE	NAME	PRODUCT SPEC	SIZE	CAGE CODE	DRAWING NO	RESTRICTED TO
0 PLC	±.001	TE	30JUN2007	T. ELBIN	-	A1	00779	1852511	-
1 PLC	±.001								
2 PLC	±.001								
3 PLC	±.001								
4 PLC	±.001								
ANGLES	±.0001								
MATERIAL	FINISH	WEIGHT							

CUSTOMER VIEWABLE ASSEMBLY

# Mouser Electronics

Authorized Distributor

Click to View Pricing, Inventory, Delivery & Lifecycle Information:

[TE Connectivity:](#)

[1852511-1](#)