

4

3

2

1

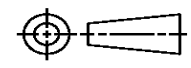
THIS DRAWING IS UNPUBLISHED. RELEASED FOR PUBLICATION
© COPYRIGHT ALL RIGHTS RESERVED.

LOC	DIST	REVISIONS			
P	LTR	DESCRIPTION	DATE	DWN	APVD
	B1	ECR-14-010131	18AUG2014	GK	HMR

REPLACED BY OCEAN STYLE APPLICATOR PART NUMBER 2266362-1

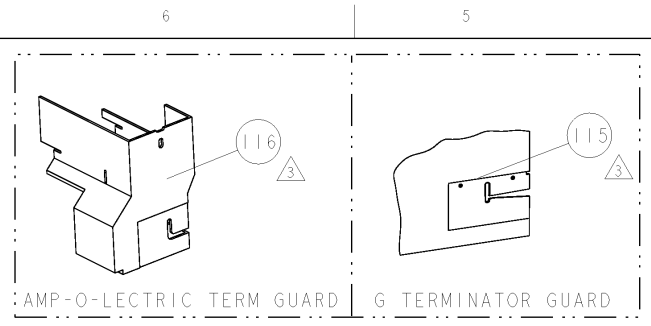
FOR REPLACEMENT PARTS FOR APPLICATOR 1852260 REFER TO ADDITIONAL PAGE(S). SPARE PARTS KIT (IF LISTED) WILL REMAIN AVAILABLE.

THE REPLACEMENT OCEAN STYLE APPLICATOR HAS THE SAME TERMINATOR/PRESS INTERFACE AS APPLICATOR 1852260

THIS DRAWING IS A CONTROLLED DOCUMENT.		DWN	GOPALAKRISHNA HV		
DIMENSIONS:		CHK	RAGHAVENDRA		
		APVD	RAGHAVENDRA		
TOLERANCES UNLESS OTHERWISE SPECIFIED:		PRODUCT SPEC	NAME		
0 PLC	±	APPLICATION SPEC	SIDE FEED HDM APPLICATOR		
1 PLC	±		SIZE	CAGE CODE	DRAWING NO
2 PLC	±		A3		©- 1852260
3 PLC	±		RESTRICTED TO		
4 PLC	±				
ANGLES	±	WEIGHT			
MATERIAL	FINISH	CUSTOMER DRAWING		SCALE	SHEET 1 OF 2
					REV B1

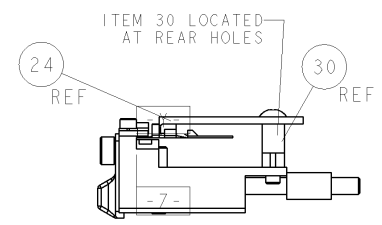
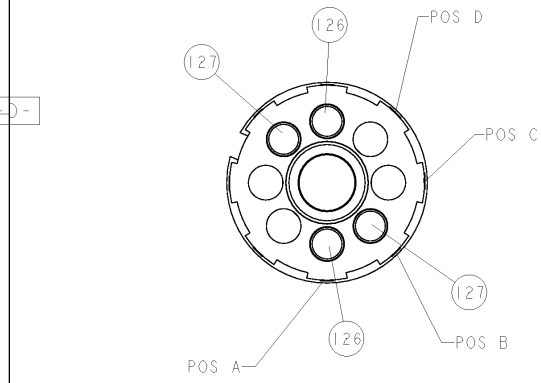
PART NUMBER	REV	FIRST USED	POWER UNIT	FEED TYPE	DESCRIPTION
1852260-1	B	122500-1	LEADMAKER	POST FEED	CUTS CARRIER
1852260-2	B	565435-5	BENCH MODEL K	PRE FEED	CUTS CARRIER
1852260-3	B	354500-1	BENCH MODEL G	PRE FEED	CUTS CARRIER
1852260-6	B	122500-1	LEADMAKER	POST FEED	CONTINUOUS CARRIER
7-1852260-7	A	-	-	-	SPARE PARTS

- △ RECOMMENDED SPARE PARTS
- △ GREASE LIGHTLY
- △ GUARD MUST BE IN PLACE WHEN OPERATING APPLICATOR IN A BENCH MACHINE

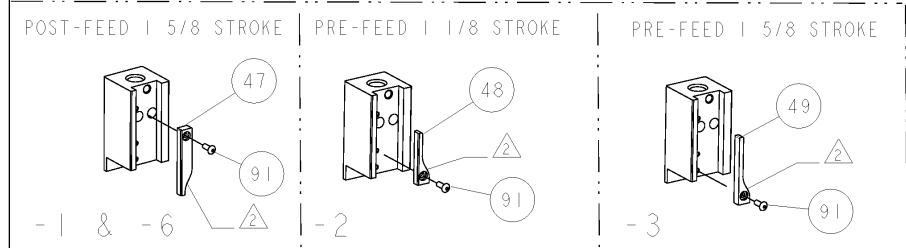
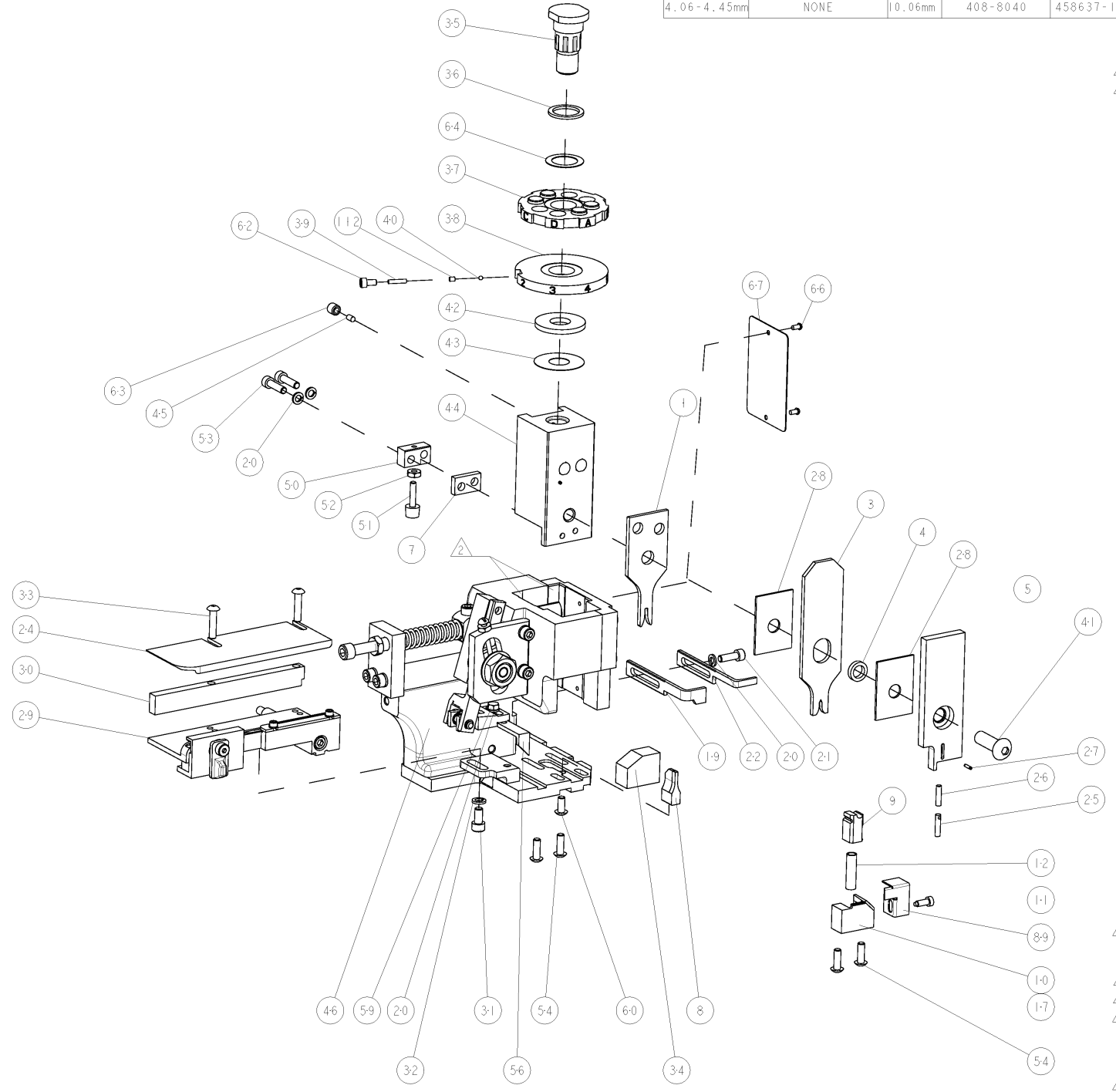
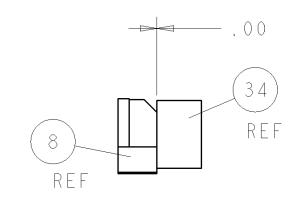


TERMINAL NAME: .070 TAB TERMINAL			
TE PN	MANUF PN	YAZAKI TERMINAL - YAZAKI CRIMP SPECS	
286597	7114-1470		
		PAD LTR	CRIMP HEIGHT
		A	1.20±0.05mm [.047±.002]
		B	1.15±0.05mm [.045±.002]
		C	-
		D	-
		CRIMP	SIZE
		WIRE	1.83mm [.072]
		INSUL	2.03mm [.080]
		WIRE STRIP LENGTH	4.06 - 4.45mm
		TERM APPL SPEC	NONE
		FEED	10.06mm
		APPL INSTRUCTIONS	408-8040
		SET UP GAGE	458637-1

REV	DATE	DESCRIPTION	BY	CHKD	APPD
A	02JUN2006	RELEASED	MEH	GB	
B	15JUL2011	ECR-11-014711	LZ	SX	



FEED TRACK POSITION



REV	DATE	DESCRIPTION	BY	CHKD	APPD			
-	2	2	2	2	-	3-354779-2	PIN, WIRE DISC, .3150	127
-	2	2	2	2	-	2-354779-8	PIN, WIRE DISC, .3130	126
-	-	-	REF	-	-	455749-1	GUARD WINDOW	116
-	-	REF	-	-	-	679532-1	INSERT, GUARD	115
-	1	1	1	1	-	690603-1	SPRING ASSIST AMP-O-MATOR APPLICATOR	112
-	1	1	1	1	-	1-21002-7	SCR, BTN SKT HD CAP 6-32 X .375	91
-	1	1	1	1	-	318563-1	GUARD, FRONT CHIP	89
-	1	1	1	1	-	4088040	SF APPL INST 408-8040	72
-	1	1	1	1	-	217238-1	GENERAL INSTRUCTION PKG	71
-	1	1	1	1	-	461264-1	PLATE, IDENTIFICATION	67
-	2	2	2	2	-	21017-2	SCREW, DRIVE	66
-	1	1	1	1	-	986950-1	WASHER, FLAT PRECISION	64
-	1	1	1	1	-	21009-2	SCR, SET, SELF LOCKING 1/4-20 X .250	63
-	1	1	1	1	-	23030-1	SCR, SKT HD CAP 6-32 X .25	62
-	1	1	1	1	-	22733-8	SCR, BHSC, SELF-LOCKING, 8-32 X .375	60
-	1	1	1	1	-	2-22603-0	SCR, HEX HD CAP 8-32 X .312	59
-	1	1	1	1	-	458537-2	PAWL, FEED	56
-	4	4	4	4	-	2-21002-2	SCR, BTN SKT HD CAP 8-32 X .500	54
-	2	2	2	2	-	2-21000-8	SCR, SKT HD CAP 8-32 X .625	53
-	1	1	1	1	-	21018-5	NUT, HEX, REG 6-32	52
-	1	1	1	1	-	811242-2	BUMPER, HOLD DOWN	51
-	1	1	1	1	-	690753-1	SPACER, TONKER	50
-	-	-	-	-	-	690602-6	CAM, PRE FEED, 1/8	49
-	-	-	-	-	-	690602-5	CAM, PRE FEED, 1/8	48
-	1	1	1	1	-	690501-4	CAM, POST-FEED 1/8	47
-	1	1	1	1	-	459456-1	APPL. BASIC SUB ASSY (SIDE WISE MOCA)	46
-	1	1	1	1	-	690191-1	PLUG, NYLON	45
-	1	1	1	1	-	455673-1	RAM, SIDE FEED	44
-	1	1	1	1	-	690125-1	SHIM SUB-ASSY	43
-	1	1	1	1	-	690124-1	WASHER, RAM (.115)	42
-	1	1	1	1	-	7-21002-9	SCR, BTN SKT HD CAP 5/16-24 X 1.00	41
-	1	1	1	1	-	23241-6	BALL, STEEL	40
-	1	1	1	1	-	690170-1	SPRING, COMPRESSION	39
-	1	1	1	1	-	1-690142-2	DISC, INSULATION	38
-	1	1	1	1	-	354777-1	WIRE DISC, ASSEMBLY	37
-	1	1	1	1	-	22480-5	SPRING, COMPRESSION	36
-	1	1	1	1	-	690212-1	POST, RAM	35
-	1	1	1	1	-	690786-3	TERMINAL SUPPORT	34
-	2	2	2	2	-	2-21002-4	SCR, BTN SKT HD CAP 8-32 X .750	33
-	1	1	1	1	-	21024-5	WASHER, SPRG LOCK, REG NO 10	32
-	1	1	1	1	-	3-21000-4	SCR, SKT HD CAP 10-32 X .375	31
-	1	1	1	1	-	1-1320908-5	SPACER, STRIP GUIDE	30
-	1	1	1	1	-	1633091-1	ASSEMBLY, STRIP GUIDE	29
-	1	1	1	1	-	1-455888-0	SPACER, CRIMPER	28
-	1	1	1	1	-	21028-2	PIN, SLOTTED SPRING .062 X .250	27
-	1	1	1	1	-	1-22278-0	SPRING, COMPRESSION	26
-	1	1	1	1	-	854769-1	HOLDER, INS	25
-	1	1	1	1	-	1320928-3	PLATE, STRIP GUIDE	24
-	1	1	1	1	-	690472-2	STRIPPER	22
-	1	1	1	1	-	2-21000-7	SCR, SKT HD CAP 8-32 X .500	21
-	4	4	4	4	-	21024-4	WASHER, SPRG LOCK, REG NO 8	20
-	-	-	-	-	-	691353-1	STRIPPER	19
-	1	1	1	1	-	679625-1	SHEAR HOLDER, FRONT (NO CUT)	17
-	1	1	1	1	-	3-22280-3	SPRING, COMPRESSION	12
-	1	1	1	1	-	690461-1	STOP, SHEAR	11
-	1	1	1	1	-	690459-1	SHEAR HOLDER, FRONT	10
-	1	1	1	1	-	462006-1	FLOATING SHEAR, FRONT	9
-	1	1	1	1	-	4-1633117-7	ANVIL, COMBINATION	8
-	1	1	1	1	-	2-240641-4	SPACER	7
-	1	1	1	1	-	854772-1	DEPRESSOR, SHEAR	5
-	1	1	1	1	-	238011-9	BLOCK, CRIMPER SPACER	4
-	1	1	1	1	-	1213076-6	CRIMPER, INSUL TP	3
-	1	1	1	1	-	1-455888-0	SPACER, CRIMPER	2
-	1	1	1	1	-	8-568176-7	CRIMPER, WIRE	1

REV	DATE	DESCRIPTION	BY	CHKD	APPD			
-77	-6	-3	-2	-1	U/M	PART NO	DESCRIPTION	ITEM NO

Mouser Electronics

Authorized Distributor

Click to View Pricing, Inventory, Delivery & Lifecycle Information:

[TE Connectivity:](#)

[1852260-6](#)