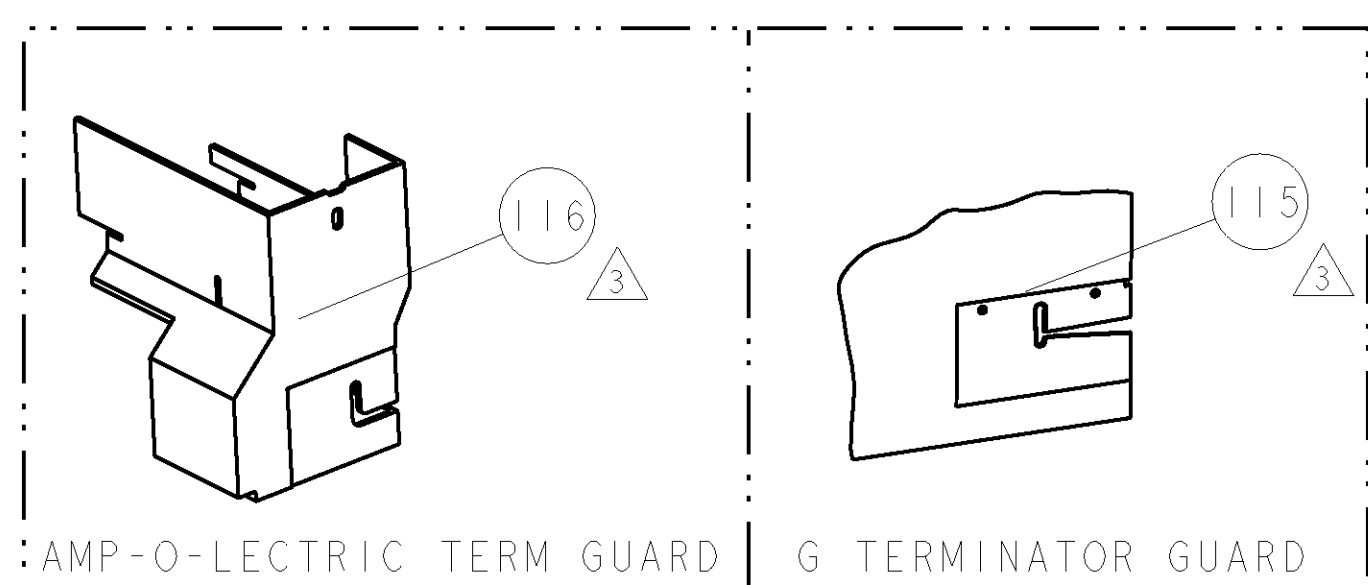


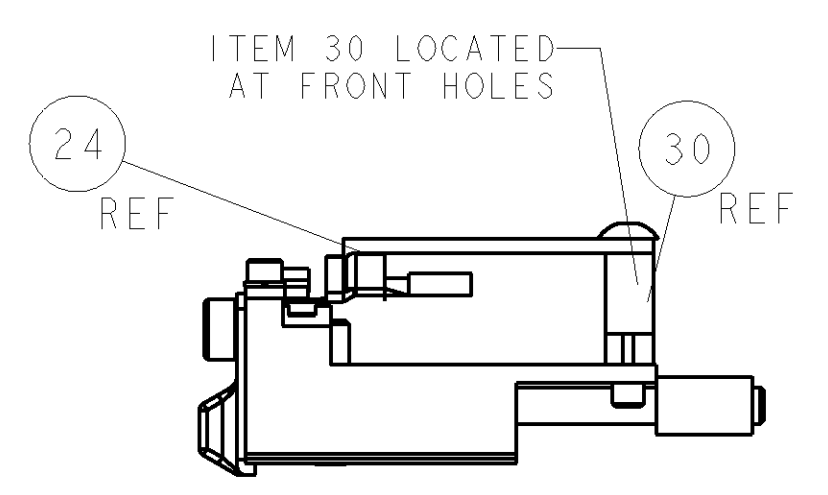
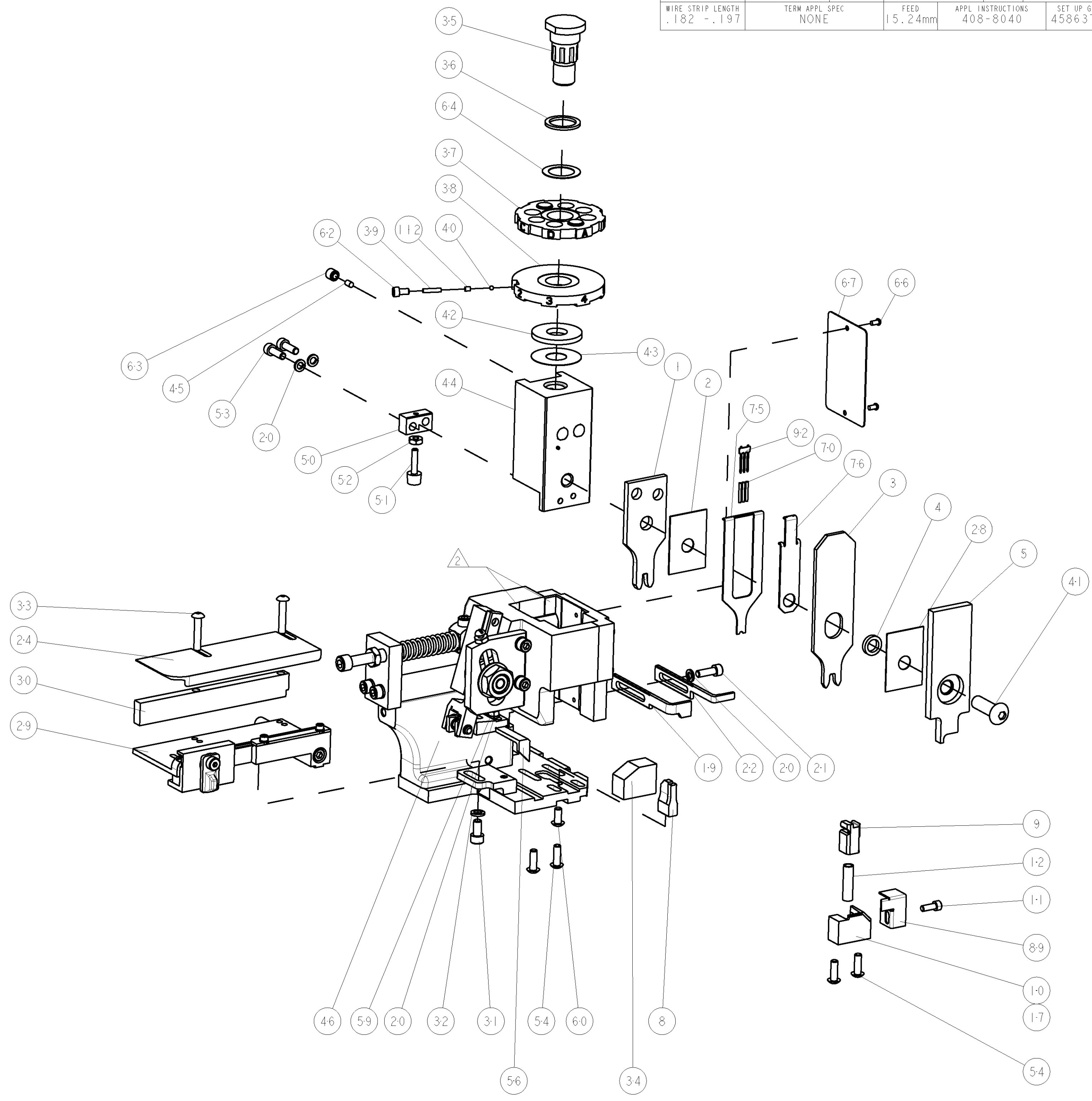
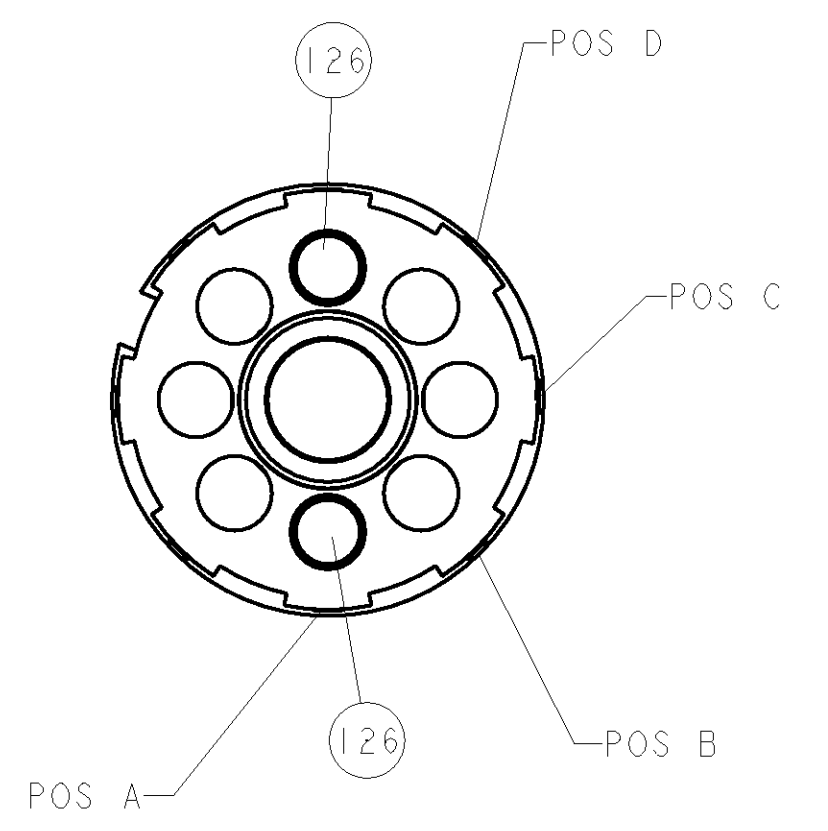
PART NUMBER	REV	FIRST USED	POWER UNIT	FEED TYPE	DESCRIPTION
1852254-1	E	122500-1	LEADMAKER	POST FEED	CUTS CARRIER
1852254-2	E	565435-5	BENCH MODEL K	PRE FEED	CUTS CARRIER
1852254-3	E	354500-1	BENCH MODEL G	PRE FEED	CUTS CARRIER
1852254-6	E	122500-1	LEADMAKER	POST FEED	CONTINUOUS CARRIER
7-1852254-7	B	-	-	-	SPARE PARTS



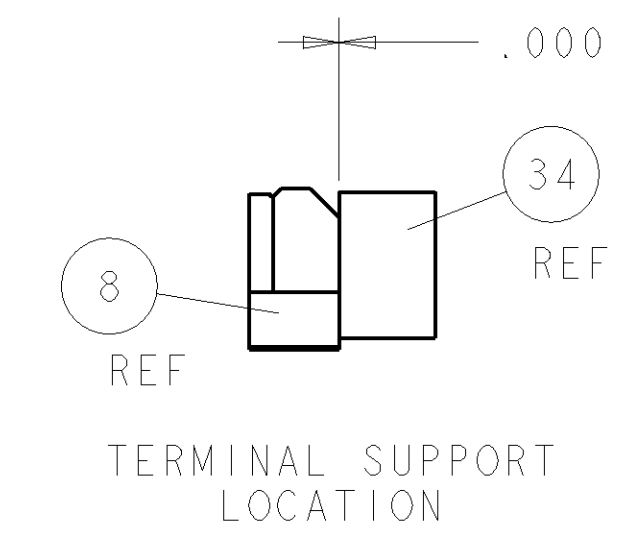
TERMINAL NAME: APEX FEMALE 2.8mm TERMINAL					
TYCO PN	MFG PN	FCI TERMINAL - FCI CRIMP SPECS			
1949031-1	5400-1000	PAD LTR	CRIMP HEIGHT	WIRE SIZE	
1949031-2	5400-1002	A	2.25mm ± .05mm [.089 ± .002]	10 AWG	
1949031-3	5400-1003	B	-	-	
1949031-4	5400-1008	C	-	-	
1949031-5	5400-1009	D	-	-	
1949031-6	5400-1010	-	-	-	
		CRIMP	SIZE	TYPE	RANGE
-	-	-	3.45mm [.135]	F	10-12 AWG
-	-	WIRE	4.06mm [.160]	F	∅ 3.95 MAX
-	-	INSUL	-	-	-
WIRE STRIP LENGTH	TERM APPL SPEC	FEED	APPL INSTRUCTIONS	SET UP GAGE	
.182 - .197	NONE	15.24mm	408-8040	458637-1	

LOC	DIST	REVISIONS				
A	66	REV	DESCRIPTION	DATE	DWN	APPR
B		ECN 06-017949		JULY2006	CMR	TE
C		ECR-07-010918		09MAY2007	LG	TE
D		ECR-07-016491		12JUL2007	MY	GB
E		ECR-10-005760		16MAR2010	RS	SX

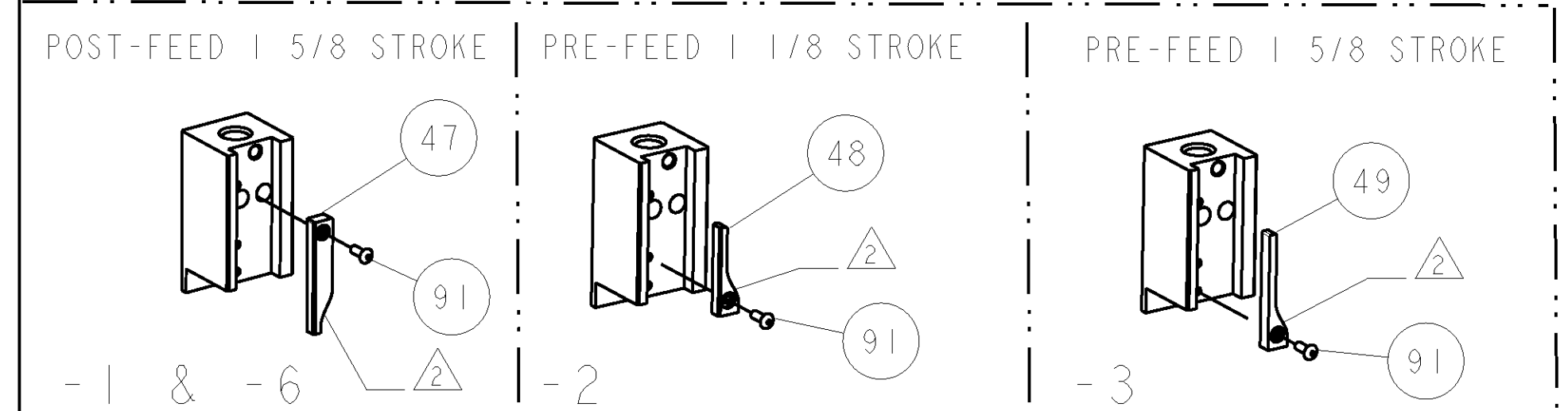
- △ RECOMMENDED SPARE PARTS
- △ GREASE LIGHTLY
- △ GUARD MUST BE IN PLACE WHEN OPERATING APPLICATOR IN A BENCH MACHINE



FEED TRACK POSITION



TERMINAL SUPPORT LOCATION



REV	DESCRIPTION	DATE	DWN	APPR				
-	2	2	2	2	-	5-354778-7	PIN, WIRE DISC, .2780	126
-	-	-	REF	-	-	455749-1	GUARD WINDOW	116
-	-	-	-	-	-	679532-1	INSERT, GUARD	115
-	-	-	-	-	-	690603-1	SPRING ASSIST AMP-O-MATOR APPLICATOR	112
-	-	-	-	-	-	1424350-1	HOLDER, PIN, WIRED	92
-	-	-	-	-	-	1-21002-7	SCR, BTN SKT HD CAP 6-32 X .375	91
-	-	-	-	-	-	318563-1	GUARD, FRONT CHIP	89
-	-	-	-	-	-	1490524-2	DEPRESSOR, SPACER	76
-	-	-	-	-	-	1490525-2	DEPRESSOR, WIRE	75
-	-	-	-	-	-	4088040	SF APPL INST 408-8040	72
-	-	-	-	-	-	217238-1	GENERAL INSTRUCTION PKG	71
-	-	-	-	-	-	1-23147-4	SPRING, COMPRESSION	70
-	-	-	-	-	-	461264-1	PLATE, IDENTIFICATION	67
-	-	-	-	-	-	21017-2	SCREW, DRIVE	66
-	-	-	-	-	-	986950-1	WASHER, FLAT PRECISION	64
-	-	-	-	-	-	21009-2	SCR, SET, SELF LOCKING 1/4-20 X .250	63
-	-	-	-	-	-	23030-1	SCR, SKT HD CAP 6-32 X .25	62
-	-	-	-	-	-	22733-8	SCR, BHSC, SELF-LOCKING, 8-32 X .375	60
-	-	-	-	-	-	2-22603-0	SCR, HEX HD CAP 8-32 X .312	59
-	-	-	-	-	-	458537-2	PAWL, FEED	56
-	-	-	-	-	-	2-21002-2	SCR, BTN SKT HD CAP 8-32 X .500	54
-	-	-	-	-	-	2-21000-7	SCR, SKT HD CAP 8-32 X .500	53
-	-	-	-	-	-	21018-5	NUT, HEX, REG 6-32	52
-	-	-	-	-	-	811242-2	BUMPER, HOLD DOWN	51
-	-	-	-	-	-	690753-1	SPACER, TONKER	50
-	-	-	-	-	-	690602-6	CAM, PRE FEED, 1 5/8	49
-	-	-	-	-	-	690602-5	CAM, PRE FEED, 1 1/8	48
-	-	-	-	-	-	690501-4	CAM, POST-FEED 1 5/8	47
-	-	-	-	-	-	459456-2	APPL. BASIC SUB ASSY (SIDE WISE MOCA)	46
-	-	-	-	-	-	690191-1	PLUG, NYLON	45
-	-	-	-	-	-	455673-1	RAM, SIDE FEED	44
-	-	-	-	-	-	690125-1	SHIM SUB-ASSY	43
-	-	-	-	-	-	690124-1	WASHER, RAM (.115)	42
-	-	-	-	-	-	7-21002-9	SCR, BTN SKT HD CAP 5/16-24 X 1.00	41
-	-	-	-	-	-	23241-6	BALL, STEEL	40
-	-	-	-	-	-	690170-1	SPRING, COMPRESSION	39
-	-	-	-	-	-	690142-4	DISC, INSULATION	38
-	-	-	-	-	-	354777-1	WIRE DISC, ASSEMBLY	37
-	-	-	-	-	-	22480-5	SPRING, COMPRESSION	36
-	-	-	-	-	-	690212-1	POST, RAM	35
-	-	-	-	-	-	690786-3	TERMINAL SUPPORT	34
-	-	-	-	-	-	9-21002-6	SCR, BTN SKT HD CAP 8-32 X .875	33
-	-	-	-	-	-	21024-5	WASHER, SPRG LOCK, REG NO 10	32
-	-	-	-	-	-	3-21000-4	SCR, SKT HD CAP 10-32 X .375	31
-	-	-	-	-	-	1-1320908-0	SPACER, STRIP GUIDE	30
-	-	-	-	-	-	1633091-7	ASSEMBLY, STRIP GUIDE	29
-	-	-	-	-	-	455888-4	SPACER, CRIMPER	28
-	-	-	-	-	-	1320928-4	PLATE, STRIP GUIDE	24
-	-	-	-	-	-	690472-2	STRIPPER	22
-	-	-	-	-	-	2-21000-7	SCR, SKT HD CAP 8-32 X .500	21
-	-	-	-	-	-	21024-4	WASHER, SPRG LOCK, REG NO 8	20
-	-	-	-	-	-	691353-1	STRIPPER	19
-	-	-	-	-	-	679625-1	SHEAR HOLDER, FRONT (NO CUT)	17
-	-	-	-	-	-	3-22280-3	SPRING, COMPRESSION	12
-	-	-	-	-	-	1-21000-9	SCR, SKT HD CAP 6-32 X .375	11
-	-	-	-	-	-	690459-1	SHEAR HOLDER, FRONT	10
-	-	-	-	-	-	1-454276-9	FLOATING SHEAR, FRONT	9
-	-	-	-	-	-	1633330-7	ANVIL, COMBINATION	8
-	-	-	-	-	-	2-455889-0	DEPRESSOR, SHEAR	5
-	-	-	-	-	-	238011-4	BLOCK, CRIMPER SPACER	4
-	-	-	-	-	-	1-1633471-6	CRIMPER, INSULATION F	3
-	-	-	-	-	-	455888-5	SPACER, CRIMPER	2
-	-	-	-	-	-	3-456410-6	CRIMPER, WIRE PREMIUM	1

DIMENSIONS: INCHES		TOLERANCES UNLESS OTHERWISE SPECIFIED:		DATE: 19APR2006		DWN: G. BALLEW	
1 PLC	± .01	1 PLC	± .01	DATE: 19APR2006		DWN: T. BENCHOFFE	
2 PLC	± .001	2 PLC	± .001	DATE: 19APR2006		DWN: T. BENCHOFFE	
3 PLC	± .0001	3 PLC	± .0001	DATE: 19APR2006		DWN: T. BENCHOFFE	
4 PLC	± .0001	4 PLC	± .0001	DATE: 19APR2006		DWN: T. BENCHOFFE	
MATERIAL:		FINISH:		WEIGHT:		CUSTOMER DRAWING	
-		-		-		-	

Ytyco Electronics
 Harrisburg, PA 17105-3608
 PRODUCT SPEC: SIDE FEED HDM APPLICATOR
 APPLICATION SPEC: -
 SIZE: A11 00779 C=1852254
 SCALE: 3:5 SHEET 1 OF 1 REV E

Mouser Electronics

Authorized Distributor

Click to View Pricing, Inventory, Delivery & Lifecycle Information:

[TE Connectivity:](#)

[1852254-2](#)