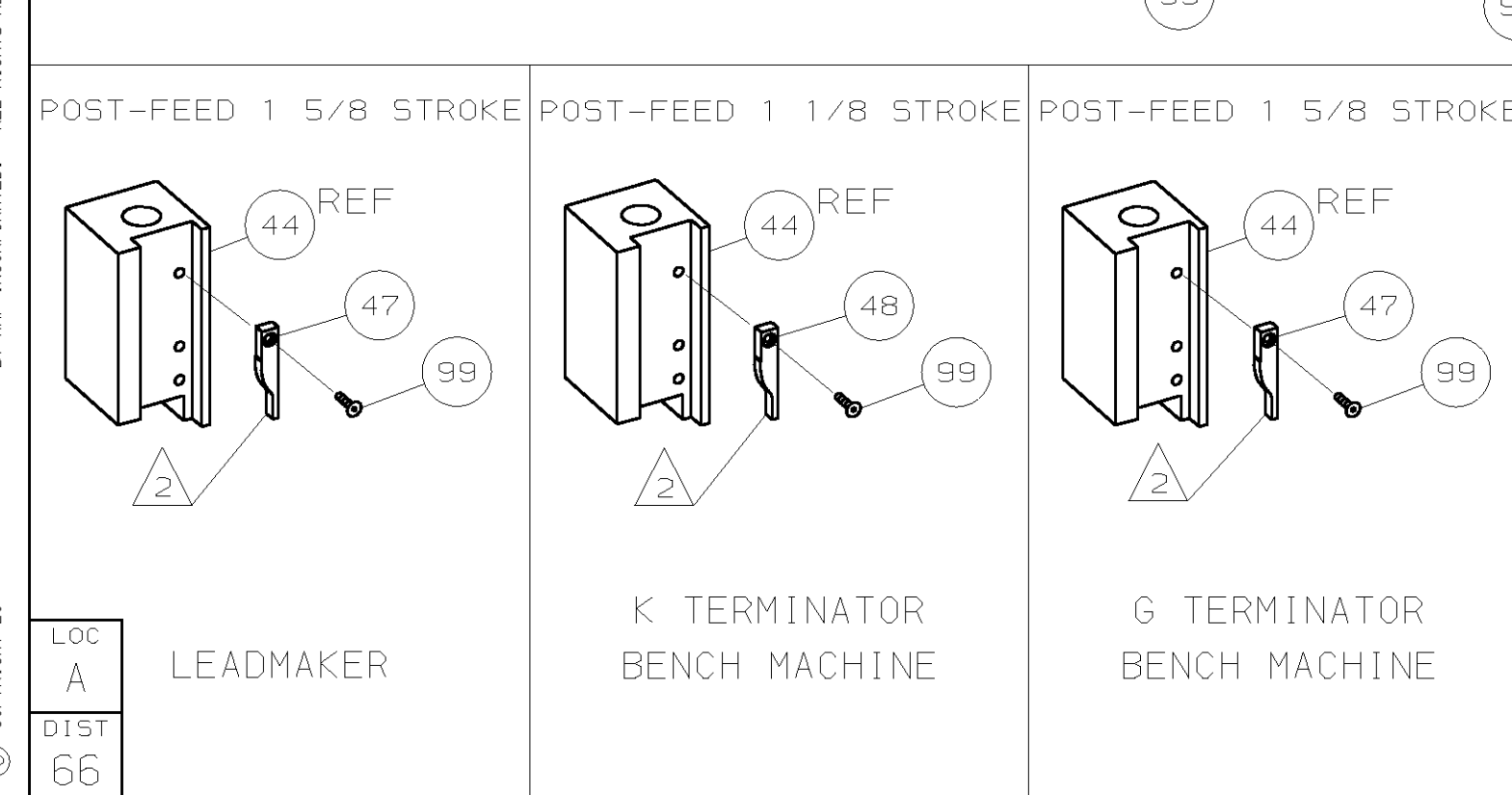
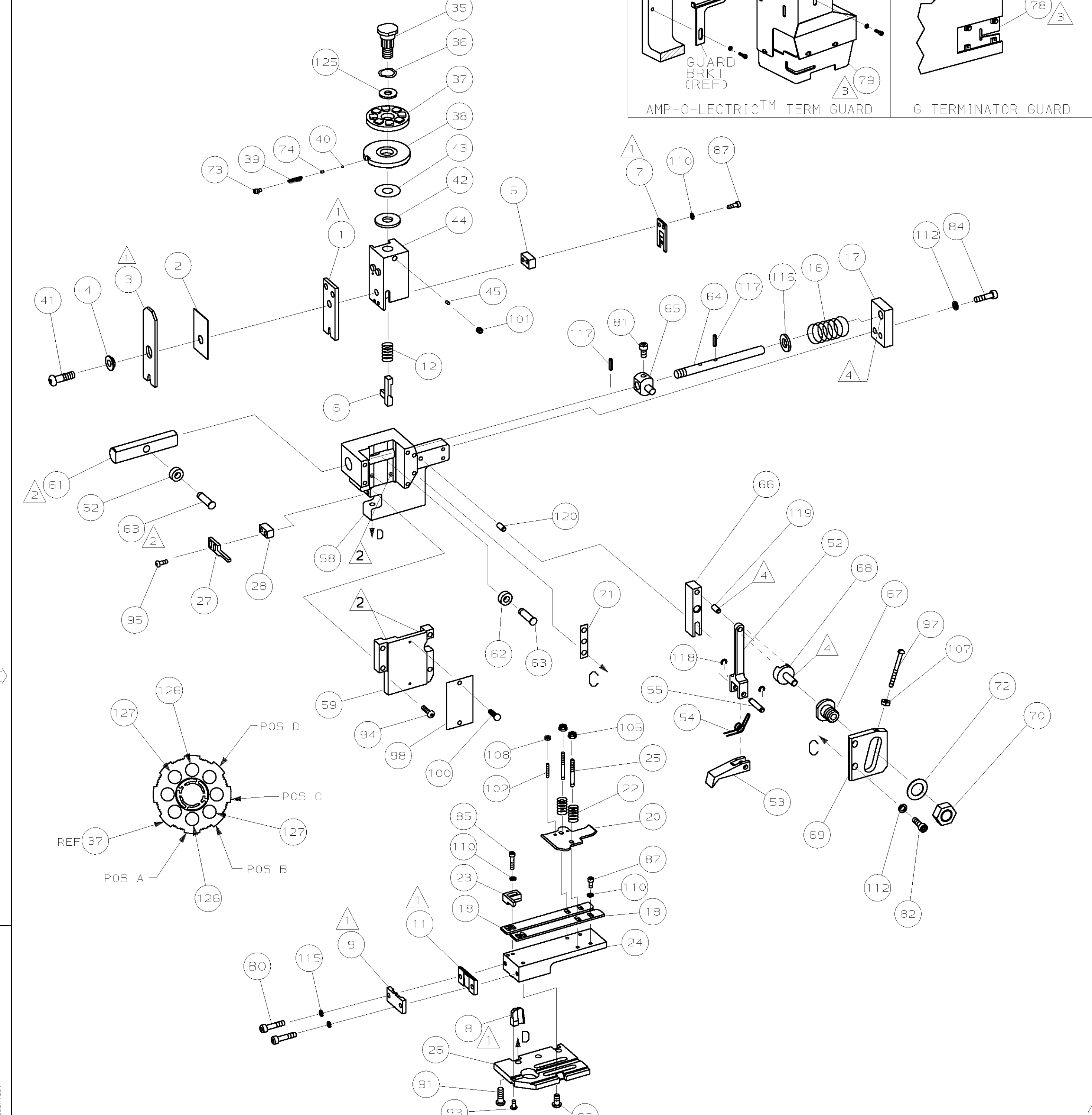


PART NUMBER	REV	FIRST USED
1852012-1	A	122500-1
1852012-2	A	565435-5



- 1 RECOMMENDED SPARE PARTS.
- 2 GREASE LIGHTLY.
- 3 GUARD MUST BE IN PLACE WHEN OPERATING APPLICATOR IN A BENCH MACHINE.
- 4 LUBRICATE DAILY USING NO. 20 MACHINE OIL.
- 5. ITEMS WITH QTY OF REF SPECIFIED (EXCEPT ITEMS 78 AND 79) ARE USED ON ITEM 32.
- 6 ITEM 78 USED WITH G TERMINATOR ONLY.

TERMINAL NAME: RECEPTACLE TERMINAL		STOCKO TERMINAL		AMP CRIMP SPECS		
AMP TERM	PN MFR	TERM PN	PAD LTR	CRIMP HEIGHT	WIRE SIZE	
1572679	RSB	7606.001F2.8-1	A	.055 ±.002 [1.40 ±0.05mm]	18	
			B	.050 ±.002 [1.27 ±0.05mm]	20	
			C	NOT	USED	
			D	NOT	USED	
CRIMP	SIZE	TYPE	RANGE			
WIRE	.070 [1.78mm]	F	20-18			
INSUL	.110 [2.79mm]	F	.090 MAX			
WIRE STRIP LENGTH	TERM APPL	SPEC	FEED	APPL INSTRUCTION	SET UP GAGE	LAYOUT
.134-.166	NONE		.570	408-8039	458638-1	L3095

QTY	REF	REV	TER	APPL	SPEC	FEED	APPL INSTRUCTION	SET UP GAGE	LAYOUT	ITEM NO
129										129
128										128
2	2	-	C		2-354779-8		PIN, WIRE DISC (.3130)B			127
2	2	-	C		1-354779-8		PIN, WIRE DISC (.3080)A			126
1	1	-	A		986950-1		WASHER, FLAT PRECISION			125
1	1	-	A		217238-1		GENERAL INSTRUCTION PACKAGE			124
1	1	-	-		4088039		EF APPL INST 408-8039			123
122										122
121										121
REF	REF	-	A		1-21030-6		PIN, DOWEL (Ø.187x1.25)H5G			120
REF	REF	-	A		1-21030-1		PIN, DOWEL (Ø.187x.50)LEVER			119
REF	REF	-	A		21045-3		RING, RET "C" (Ø.187)FD PIN			118
REF	REF	-	A		5-21028-1		PIN, STD SPRING (Ø.12)FD ADJ ROD			117
REF	REF	-	A		21899-4		WASHER, FLAT (Ø5/16) SCR ADJ			116
2	2	-	A		21024-5		WASHER, LOCK (NO.10)			115
114										114
113										113
REF	REF	-	A		21024-5		WASHER, LOCK (NO.10)FD ROD GDE			112
111										111
7	7	-	A		21024-4		WASHER, LOCK (NO.8) SHEAR BL			110
109										109
2	2	-	A		21018-4		NUT, HEX (4-40) DRAG			108
REF	REF	-	A		21018-5		NUT, HEX (6-32)FD ADJ PL			107
106										106
2	2	-	A		21022-2		NUT, HEX SL (8-32) DRAG STUD			105
104										104
103										103
2	2	-	A		2-21006-6		SCR, SKT SET (4-40x.62) DRAG			102
1	1	-	A		21009-2		SCR, SKT SET (1/4-20x.25) RAM			101
2	2	-	A		21017-2		SCR, DRIVE (#2x.19) ID PLATE			100
1	1	-	A		1-21002-7		SCR, BHC (6-32x.38) CAM			99
1	1	-	B		461264-1		PLATE, IDENTIFICATION			98
REF	REF	-	A		6-23715-5		SCR, PAN HD (6-32x1.50) FEED ADJ			97
96										96
2	2	-	A		2-21002-2		SCR, BHC (8-32x.50) STRIPPER			95
REF	REF	-	A		2-21002-9		SCR, BHC (10-32x.75) H5G CAP			94
1	1	-	A		22733-8		SCR, BHC (8-32x.38 LW) ANVIL			93
4	4	-	A		3-21002-3		SCR, BHC (1/4-20x.50) ST 6D PL			92
REF	REF	-	A		2-22733-8		SCR, BHC (1/4-20x.62) BASE PL			91
90										90
89										89
88										88
5	5	-	A		2-21000-6		SCR, 5HC (8-32x.38) SLUG BLADE			87
86										86
2	2	-	A		2-21000-8		SCR, 5HC (8-32x.62) R STP GUIDE			85
REF	REF	-	A		3-21000-7		SCR, 5HC (10-32x.75) FEED ROD GDE			84
83										83
REF	REF	-	A		3-21000-6		SCR, 5HC (10-32x.62) FEED ADJ PL			82
REF	REF	-	A		3-21000-4		SCR, 5HC (10-32x.38) PIVOT BLOCK			81
2	2	-	A		3-21000-8		SCR, 5HC (10-32x.88) SHEAR PL			80
REF	-	-	A		455745-1		GUARD, WINDOW			79
-	REF	-	A		679532-1		INSERT, GUARD			78
77										77
76										76
75										75
1	1	-	A		690603-1		SPRING, ASSIST			74
1	1	-	A		23030-1		SCR, SKT CAP (6-32x.25) CP DSC			73
REF	REF	-	A		458109-1		WASHER, FLAT (SPECIAL)			72
REF	REF	-	A		690517-1		SPACER			71

QTY	REF	REV	TER	APPL	SPEC	FEED	APPL INSTRUCTION	SET UP GAGE	LAYOUT	ITEM NO
-2	-1	U/M								

QTY REOD PER ASSY		PARTS LIST	
REV	DATE	BY	DESCRIPTION
A	REVISED	BH	MAROS
P	REVISION RECORD	APP	DATE

REV	DATE	BY	DESCRIPTION	ITEM NO		
-1			LEADMAKER & BENCH MODEL G	MECH POST FEED		
-2			BENCH MODEL K	MECH POST FEED		
REF	REF	-	A	22594-8	NUT, HEX	70
REF	REF	-	B	240628-1	PLATE, ADJ	69
REF	REF	-	B	240626-1	SHAFT, PIVOT	68
REF	REF	-	B	240633-1	BUSHING	67
REF	REF	-	A	455680-1	LEVER, INTERMEDIATE	66
REF	REF	-	B	240629-1	BLOCK, PIVOT	65
REF	REF	-	A	240632-2	SCR, ADJ	64
REF	REF	-	B	240659-3	PIN, CAM ROLLER	63
REF	REF	-	B	240658-1	CAM, ROLLER	62
REF	REF	-	B	454398-1	ROD, FEED	61
60						60
REF	REF	-	C	454220-1	CAP, RAM	59
REF	REF	-	D	453736-1	HOUSING	58
57						57
56						56
REF	REF	-	B	240624-1	PIN, FEED FINGER	55
REF	REF	-	B	691499-1	SPRING, FEED FINGER	54
REF	REF	-	B	240635-1	FINGER, FEED	53
REF	REF	-	B	240634-1	LEVER, TERMINAL	52
51						51
50						50
49						49
1	-	-	B	690501-3	CAM, POST FEED 1 1/8 ST	48
-	1	-	B	690501-4	CAM, POST-FEED 1 5/8 ST	47
46						46
1	1	-	A	690191-1	PLUG, NYLON	45
1	1	-	C	455674-2	RAM	44
1	1	-	A	690125-1	WASHER, LAMINATED	43
1	1	-	A	690124-1	WASHER, RAM	42
1	1	-	A	7-21002-9	BOLT, CRIMPER (5/16-24x1.00)	41
1	1	-	A	23241-6	BALL, STEEL	40
1	1	-	A	690170-1	SPRING, COMPRESSION	39
1	1	-	C	690142-1	DISC, INSULATION	38
1	1	-	D	354777-1	DISC, WIRE	37
1	1	-	A	22480-5	WASHER, SPRING	36
1	1	-	B	690212-1	POST, RAM	35
34						34
33						33
1	1	-	D	458980-1	APPLICATOR, BASIC (SUB ASSY)	32
31						31
30						30
29						29
1	1	-	B	3-690451-2	SPACER, STRIPPER	28
1	1	-	A	240639-1	STRIPPER	27
REF	REF	-	C	455676-1	PLATE, BASE	26
2	2	-	A	22354-8	DRAG, STUD	25
1	1	-	B	455678-1	PLATE, STRIP GUIDE	24
1	1	-	C	240825-4	PLATE, STRIP HOLD DOWN	23
2	2	-	A	4-22281-1	SPRING, DRAG	22
21						21
1	1	-	A	454177-1	DRAG, STOCK	20
19						19
2	2	-	C	454204-2	GUIDE, STRIP (FRONT)	18
REF	REF	-	A	454178-1	GUIDE, FEED ROD	17
REF	REF	-	A	6-22284-4	SPRING, FEED RETURN	16
15						15
14						14
13						13
1	1	-	A	23846-1	SPRING, HOLD DOWN	12
1	1	-	B	240644-1	PLATE, REAR SHEAR	11
10						10
1	1	-	B	2-690482-7	PLATE, FRONT SHEAR	9
1	1	-	D	1-1633098-2	ANVIL	8
1	1	-	B	690474-4	BLADE, SLUG	7
1	1	-	D	2-455892-0	HOLD DOWN, TERMINAL	6
1	1	-	C	4-240641-0	SPACER, SLUG BLADE	5
1	1	-	B	2-238009-7	SPACER, BLOCK CRIMPER	4
1	1	-	C	2-456134-9	CRIMPER, INSULATION	3
1	1	-	B	455888-5	SPACER, CRIMPER	2
1	1	-	C	1-456404-6	CRIMPER, WIRE	1

QTY	REF	REV	TER	APPL	SPEC	FEED	APPL INSTRUCTION	SET UP GAGE	LAYOUT	ITEM NO
-2	-1	U/M								

QTY REOD PER ASSY		PARTS LIST	
REV	DATE	BY	DESCRIPTION
A	REVISED	BH	MAROS
P	REVISION RECORD	APP	DATE

Mouser Electronics

Authorized Distributor

Click to View Pricing, Inventory, Delivery & Lifecycle Information:

[TE Connectivity:](#)

[1852012-2](#)