

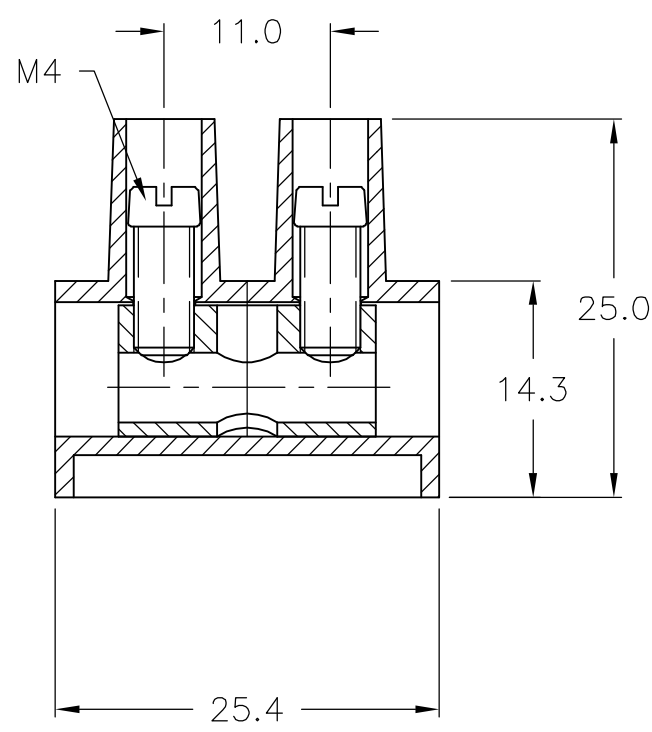
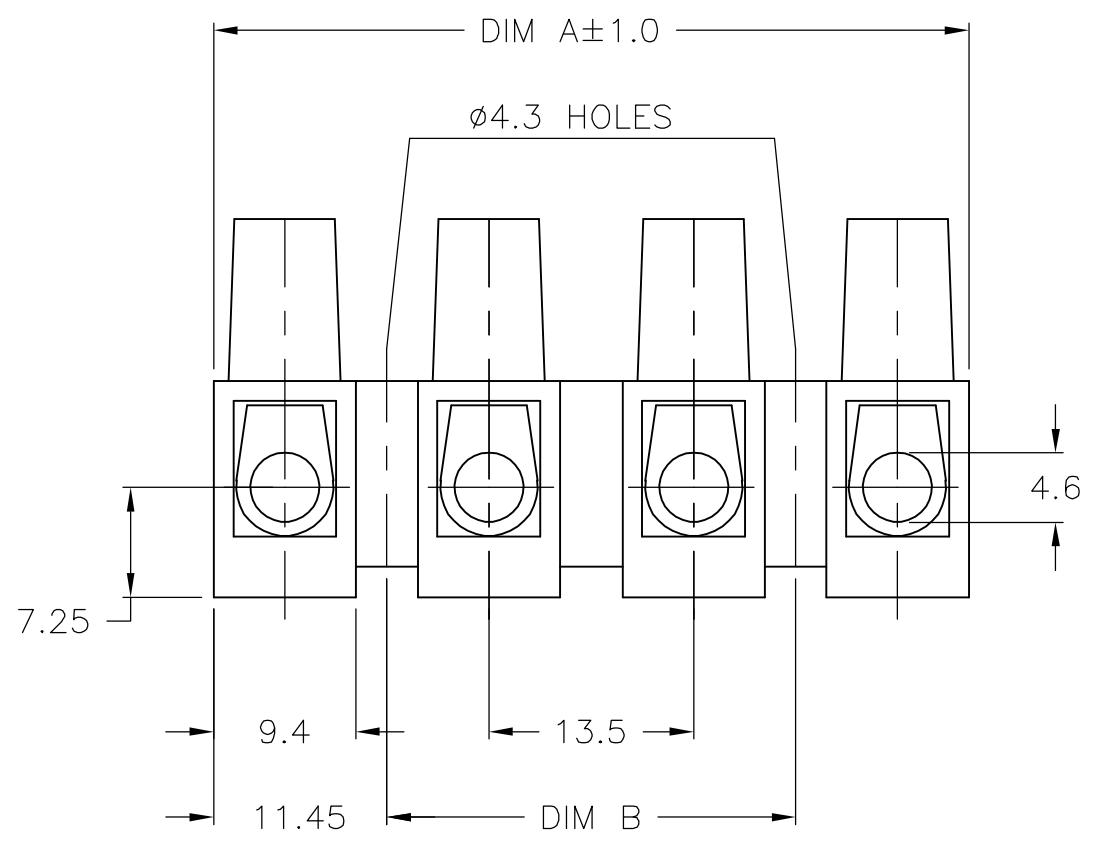
THIS DRAWING IS UNPUBLISHED. RELEASED FOR PUBLICATION
 © COPYRIGHT BY TYCO ELECTRONICS CORPORATION. ALL RIGHTS RESERVED.

LOC	DIST	REVISIONS					
FT	0	P	LTR	DESCRIPTION	DATE	DWN	APVD
		01		REVISED PER ECO-06-17641	7/24/06	SS	CR

MATERIAL:
 HOUSING: POLYIMIDE 6 UL94V-2.
 COLOR: NATURAL(OFF WHITE).
 TUBULAR CONTACT: BRASS, TIN PLATED
 SCREW: M4, STEEL, ZINC W/ NON-HEXAVALENT CHROMATE (CHROME III).

ELECTRICAL:
 CURRENT RATING: 40A, 300V (UL).
 55A, 300V (CSA).
 WIRE RANGE: 8-16 AWG.

CONTINUOUS WORKING TEMPERATURE 100°C.



135.0	157.9	12	TSB150012	1-1776310-2
121.5	144.4	11	TSB150011	1-1776310-1
108.0	130.9	10	TSB150010	1-1776310-0
94.5	117.9	9	TSB150009	1776310-9
81.0	103.9	8	TSB150008	1776310-8
67.5	90.4	7	TSB150007	1776310-7
54.0	76.9	6	TSB150006	1776310-6
40.5	63.4	5	TSB150005	1776310-5
27.0	49.9	4	TSB150004	1776310-4
13.5	36.4	3	TSB150003	1776310-3
-	22.9	2	TSB150002	1776310-2
-	9.4	1	TSB150001	1776310-1
DIM B	DIM A	POSN	T & B PART NUMBER	TYCO PART NUMBER

THIS DRAWING IS A CONTROLLED DOCUMENT.		DWN S SCHLEGEL 3/21/05	Tyco Electronics Corporation Harrisburg, Pa 17105-3608	
DIMENSIONS: mm		CHK C RICHARD 3/21/05		
TOLERANCES UNLESS OTHERWISE SPECIFIED:		APVD C RICHARD 3/21/05	NAME 13.5MM PITCH TUNNEL CONNECTION EUROPA TERMINAL BLOCK	
0 PLC ± - 1 PLC ± 0.3 2 PLC ± 0.25 3 PLC ± - 4 PLC ± - ANGLES ± 2°		PRODUCT SPEC -	RESTRICTED TO -	
MATERIAL -		FINISH -	APPLICATION SPEC -	SIZE A3
		WEIGHT -	CAGE CODE 00779	DRAWING NO C-1776310
CUSTOMER DRAWING			SCALE NTS	SHEET 1 OF 1
			REV 01	

Mouser Electronics

Authorized Distributor

Click to View Pricing, Inventory, Delivery & Lifecycle Information:

[TE Connectivity:](#)

[1776310-2](#)