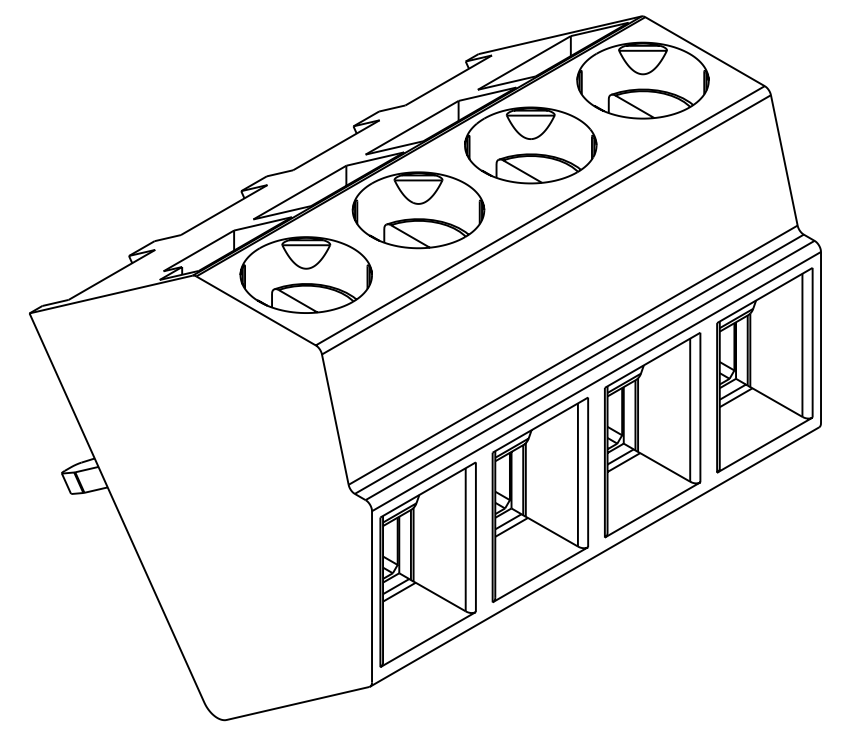
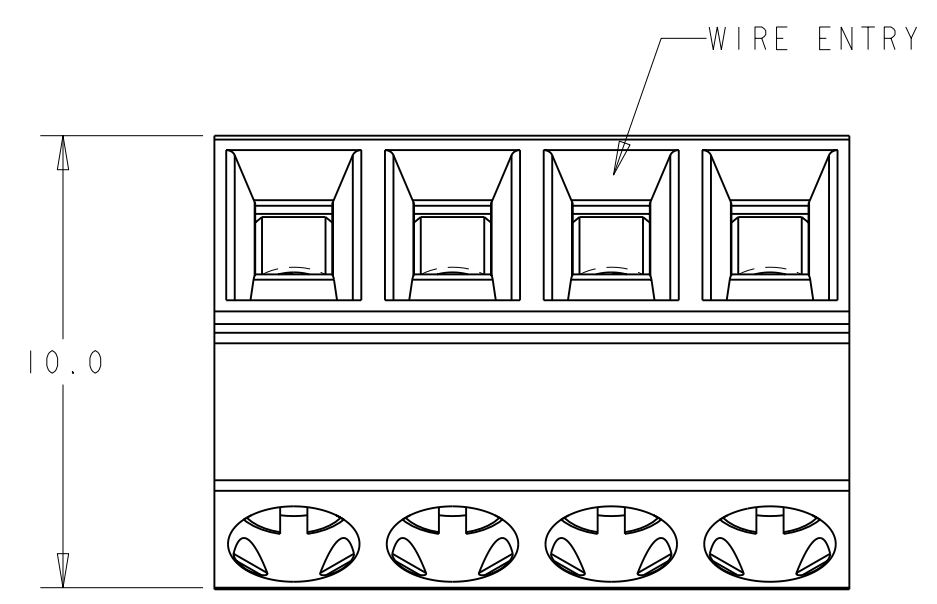


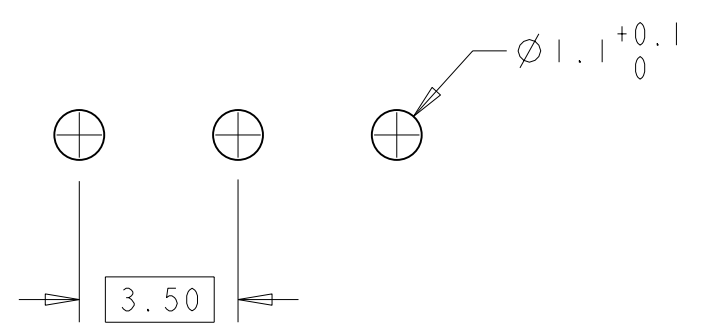
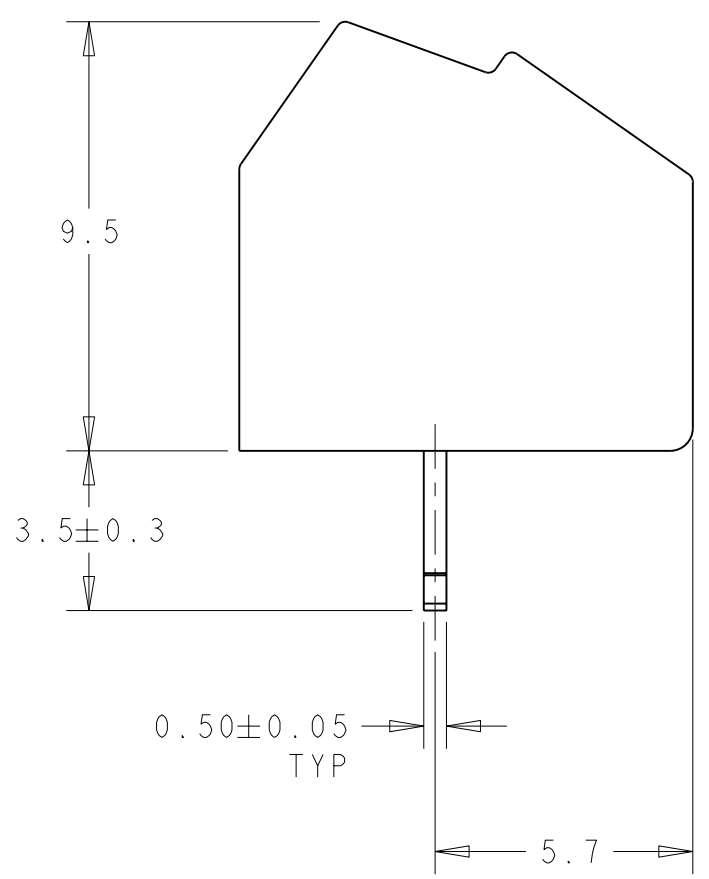
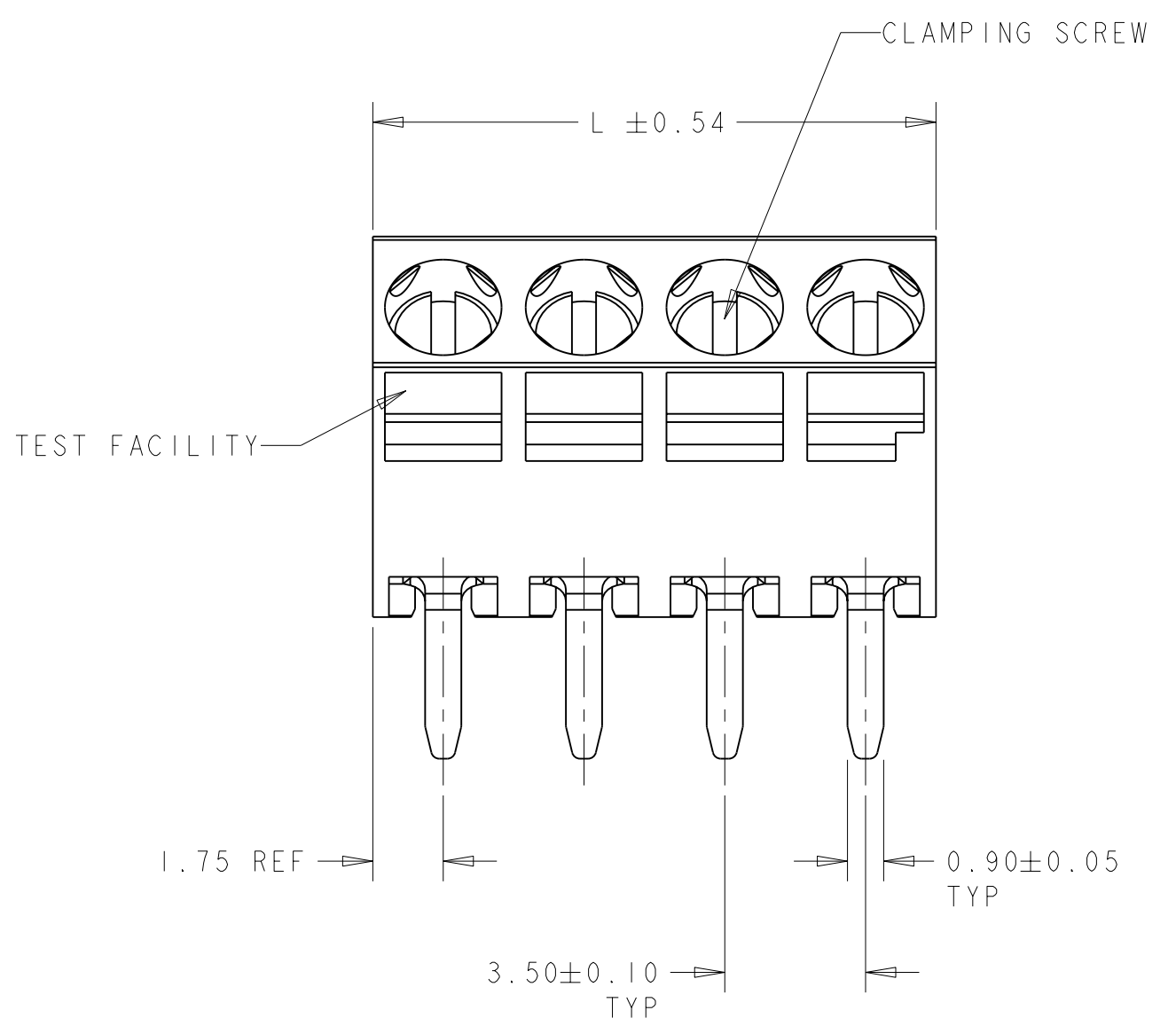
THIS DRAWING IS UNPUBLISHED. RELEASED FOR PUBLICATION 20  
 © COPYRIGHT 20 BY TYCO ELECTRONICS CORPORATION. ALL RIGHTS RESERVED.

LOC		DIST		REVISIONS			
P	LTR	DESCRIPTION	DATE	DWN	APVD		
	0	RELEASED EC 0G3B-0612-04	02JUN2005	SW	CR		



1. MATERIALS AND FINISH:  
 HOUSING: HIGH TEMPERATURE POLYAMIDE, UL 94V-0 RATED,  
 COLOR: BLACK.  
 TERMINAL: COPPER ALLOY, TIN PLATED.  
 CLAMP: COPPER ALLOY, NICKEL PLATED.  
 CLAMPING SCREW: COPPER ALLOY, NICKEL PLATED.
2. WIRE SIZE RANGE: 16-30 AWG.
3. CURRENT RATING: 12A, 300V  
 OPERATING TEMPERATURE: -40°C TO +110°C
4. SUITABLE FOR 2.4mm MAX PC BOARD THICKNESS.

1776115-4 AS SHOWN



RECOMMENDED PC BOARD LAYOUT

42.00	12	1-1776115-2
38.50	11	1-1776115-1
35.00	10	1-1776115-0
31.50	9	1776115-9
28.00	8	1776115-8
24.50	7	1776115-7
21.00	6	1776115-6
17.50	5	1776115-5
14.00	4	1776115-4
10.50	3	1776115-3
7.00	2	1776115-2
L	NO OF POSN	PART NUMBER

<small>THIS DRAWING IS A CONTROLLED DOCUMENT FOR TYCO ELECTRONICS CORPORATION          IT IS SUBJECT TO CHANGE AND THE CONTROLLING ENGINEERING ORGANIZATION          SHOULD BE CONTACTED FOR THE LATEST REVISION.</small>		DWN S. WELDON 02JUN2005 CHK C. RICHARD 02JUN2005 APVD C. RICHARD 02JUN2005	Tyco Electronics Harrisburg, PA 17105-3608
DIMENSIONS: mm	TOLERANCES UNLESS OTHERWISE SPECIFIED: 0 PLC ± 1 PLC ±0.2 2 PLC ±0.25 3 PLC ±0.000 4 PLC ±0.0000 ANGLES ±	PRODUCT SPEC APPLICATION SPEC WEIGHT	NAME BUCHANAN TERMINAL BLOCK, ANGLED ENTRY, 55 DEGREE, STACKABLE, 3.5mm PITCH
MATERIAL 	FINISH 	SIZE A2	CAGE CODE 00779
CUSTOMER DRAWING		DRAWING NO C=1776115	RESTRICTED TO -
		SCALE 6:1	SHEET 1 OF 1
			REV 0

# Mouser Electronics

Authorized Distributor

Click to View Pricing, Inventory, Delivery & Lifecycle Information:

[TE Connectivity:](#)

[1776115-5](#)