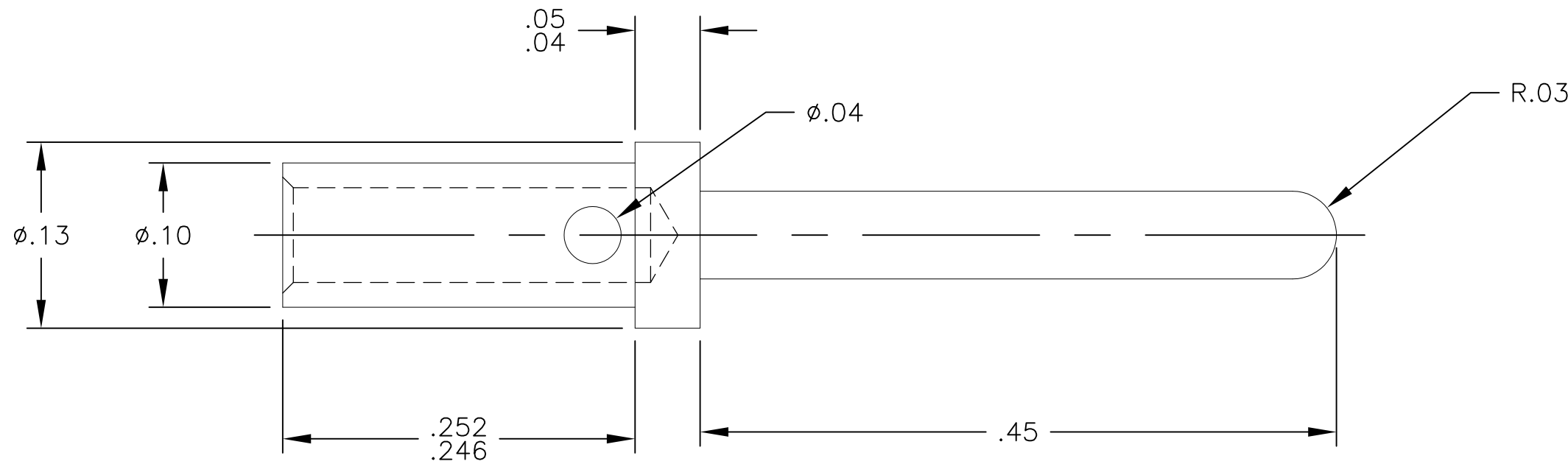


THIS DRAWING IS UNPUBLISHED. RELEASED FOR PUBLICATION
 © COPYRIGHT BY TYCO ELECTRONICS CORPORATION. ALL INTERNATIONAL RIGHTS RESERVED.

LOC	DIST	REVISIONS					
GP	00	P	LTR	DESCRIPTION	DATE	DWN	APVD
		B		REV PER ECO-08-014780	24JUN08	RG	DO



5. FOR TERMINATION, USE FOLLOWING EQUIPMENT:
 SHOWN FOR REFERENCE ONLY (USER SUPPLIED)
 CRIMP TOOL: M22520/1-01
 TURRET HEAD/LOCATOR: M22520/1-02
4. FINISH: SILVER PLATED, .000200 MIN THICK
 OVER NICKEL PLATED, .000050 MIN THICK
3. MATERIAL: COPPER ALLOY.
2. ITEMS PROVIDED TO THIS SPECIFICATION SHALL BE IDENTIFIED
 ON THE CONTAINER WITH THE FOLLOWING INFORMATION:
 PART NUMBER & DATE CODE OF MANUFACTURE.
1. PART NUMBER CHANGES AND OR DESIGN CHANGES AFFECTING ITEM
 INTERCHANGEABILITY REQUIRE PRIOR TYCO ELECTRONICS APPROVAL
 AND AUTHORIZATION BY REVISION TO THIS DRAWING.

AS SHOWN	1766194-1
DESCRIPTION	PART NUMBER

THIS DRAWING IS A CONTROLLED DOCUMENT.		DWN	12/02/05	Tyco Electronics Corporation	
DIMENSIONS: INCHES		CHK	-	Harrisburg, PA 17105-3608	
TOLERANCES UNLESS OTHERWISE SPECIFIED:		APVD	12/02/05	NAME	
0 PLC ± -		1	ALIM/GRZYBOWSKI	CONTACT, PIN, SIZE No.16	
1 PLC ± -		2	D.ORRIS	CRIMP, REMOVABLE	
2 PLC ± .02		3	CHAU/GRZYBOWSKI	DRAWERS/DOMINO	
3 PLC ± .010		4	PRODUCT SPEC	SIZE	CAGE CODE
4 PLC ± -		FINISH	APPLICATION SPEC	A3	00779
ANGLES ± .5		MATERIAL	WEIGHT	DRAWING NO	RESTRICTED TO
-		-	-	C-1766194	-
-		CUSTOMER DRAWING		SCALE	SHEET
-		-		10:1	1 OF 1
-		-		REV	B

Mouser Electronics

Authorized Distributor

Click to View Pricing, Inventory, Delivery & Lifecycle Information:

[TE Connectivity:](#)

[1766194-2](#)