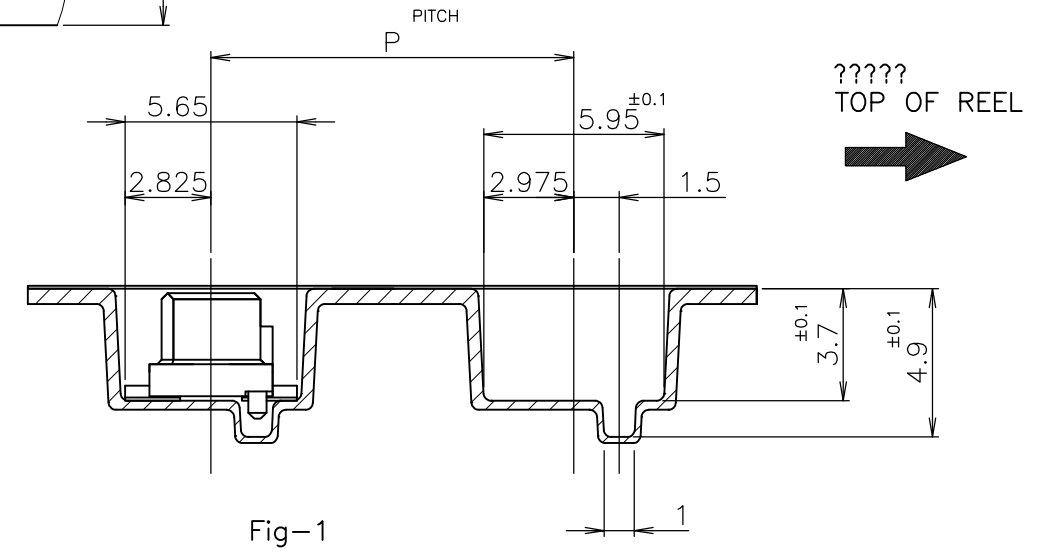
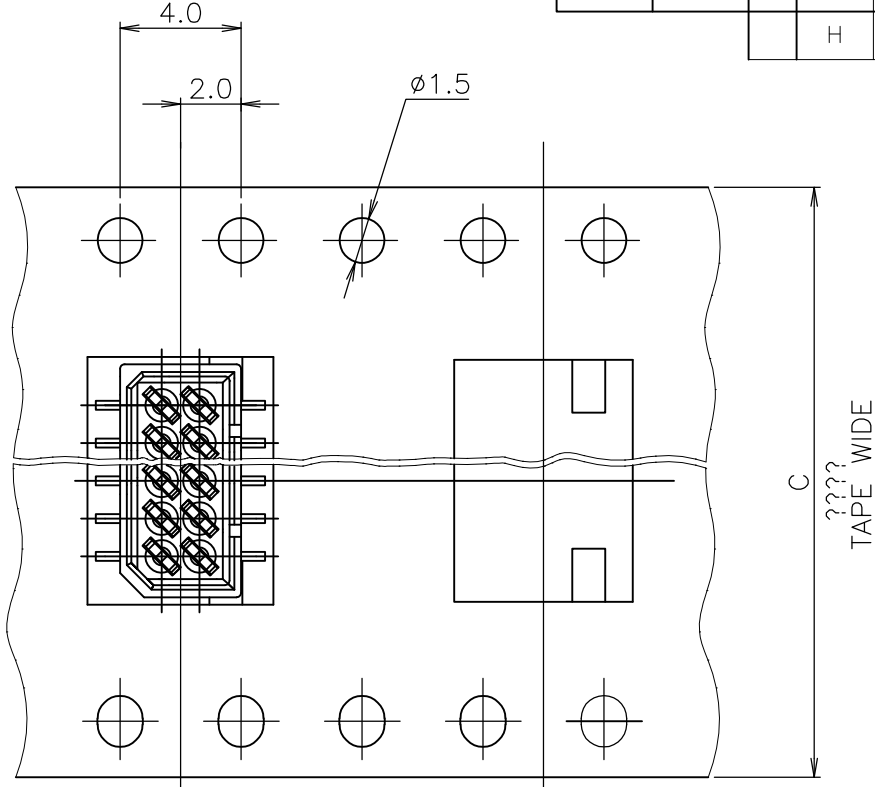
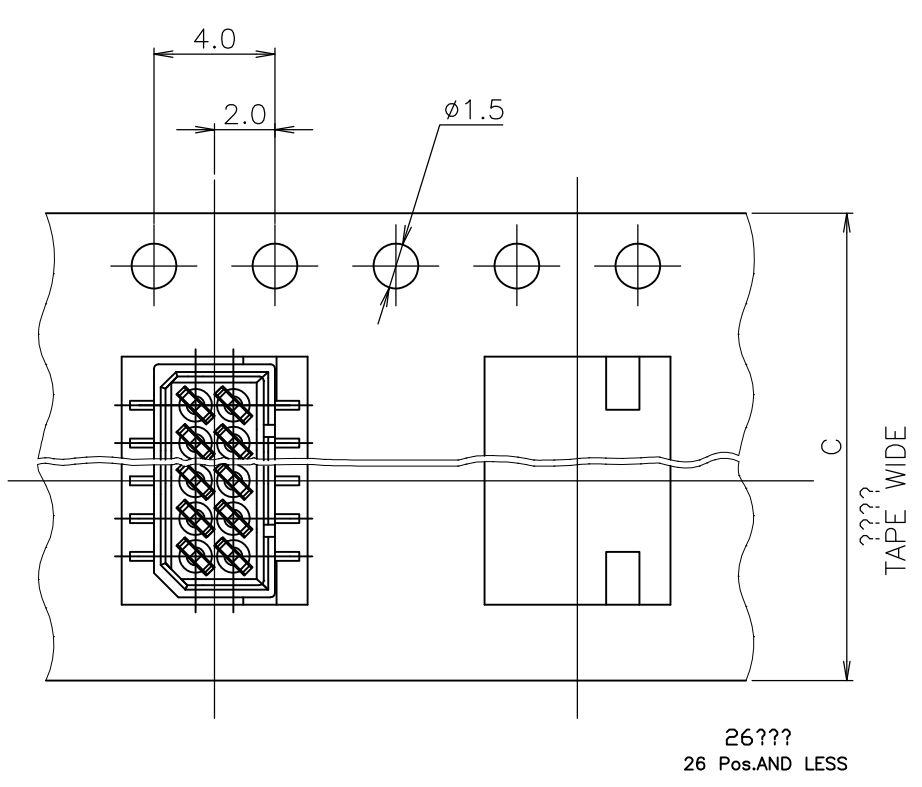
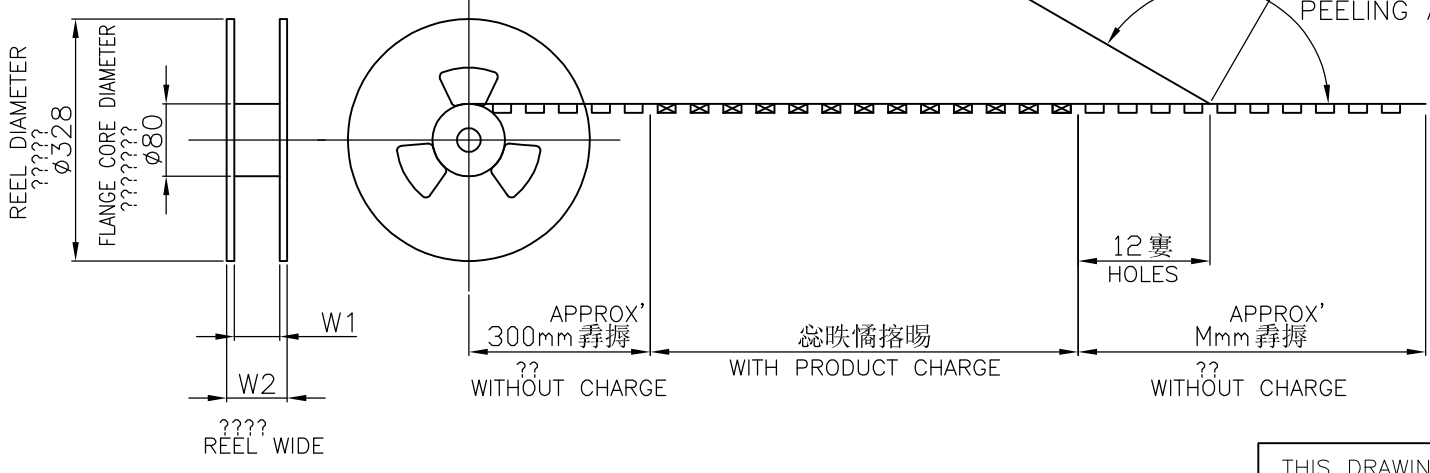


THIS DRAWING IS UNPUBLISHED. RELEASED FOR PUBLICATION
 © COPYRIGHT By - ALL RIGHTS RESERVED.

LOC	DIST	REVISIONS					
J		P	LTR	DESCRIPTION	DATE	DWN	APVD
		H	REVISED	ECR-14-010014	20NOV2014	I.T	W.H



WEEDING THE COVER TAPE AROUND THE OUTER PERIPHERY IN A TURN.
 修繕用焼用機
 165°/180° PEELING ANGLE.



OBSOLETE	37	34			32		30	3-912050-0	6	-0	6	-0
OBSOLETE							26	3-912052-6	5	-6	5	-6
OBSOLETE							24	2- -6	5-	-4	5-	-4
OBSOLETE							22	2 5 5	2	5	2	5
	29	26	600	12	24	1000	16	720999-9	4-176311-6		4-176313-6	
	W ₂	W ₁	M	P	C	QTY/REEL	Pos.	EMBOSS TAPE P/N	CONNECTOR P/N		TAPING P/N	

THIS DRAWING IS A CONTROLLED DOCUMENT.

DWN: S.KANEKI 27JUL89
 CHK: J.TANIGAWA 26JUL89
 APVD: N.ONOUE 27JUL89

STE TE Connectivity

NAME: ON TAPING (EMBOSS)1.25 F-P CONNECTOR (B-TO-B) DOUBLE ROW REC HDR ASS'Y (V) SMT TYPE WITH BOSS-INPROBE

SIZE: A3 CAGE CODE: 00779 DRAWING NO: C-176313 RESTRICTED TO: -

CUSTOMER DRAWING SCALE: NON SHEET: 1 OF 1 REV: H

NOTES:
 △ PACKING SPEC : 107-5123-1

Mouser Electronics

Authorized Distributor

Click to View Pricing, Inventory, Delivery & Lifecycle Information:

[TE Connectivity:](#)

[5-176313-6](#)