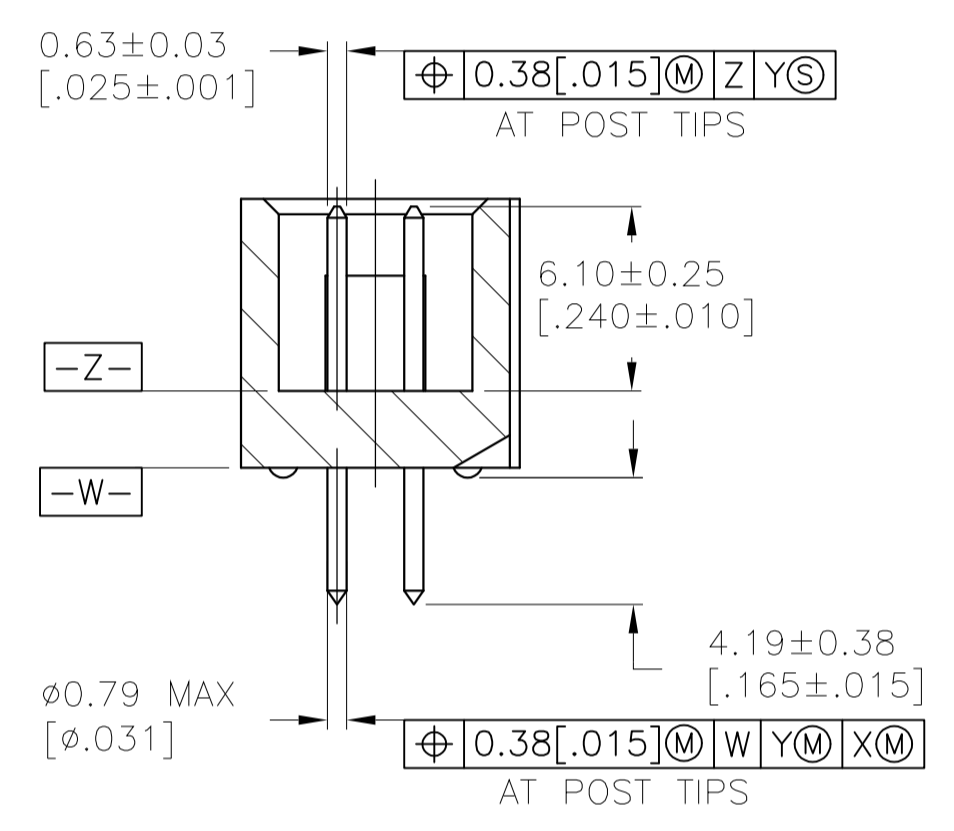
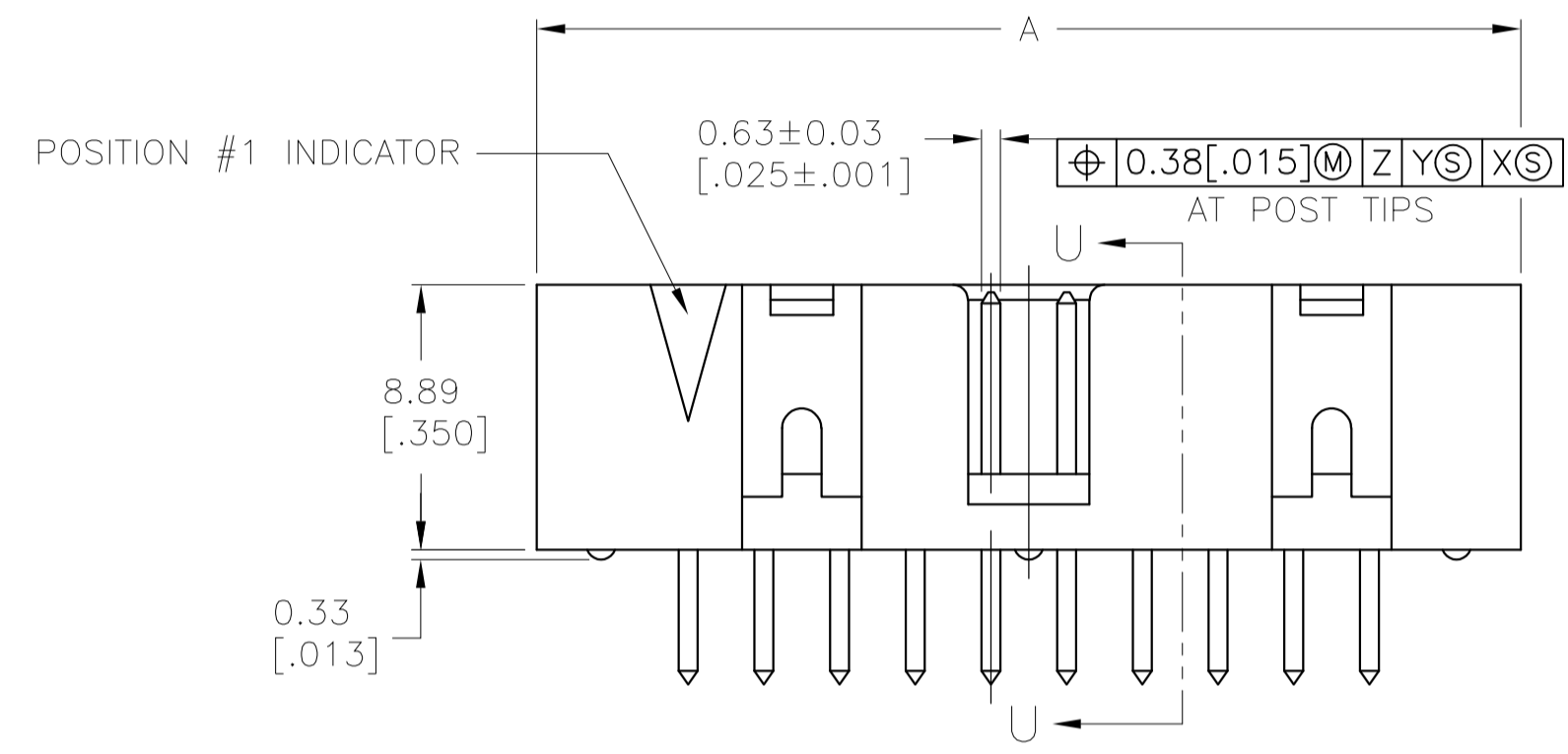
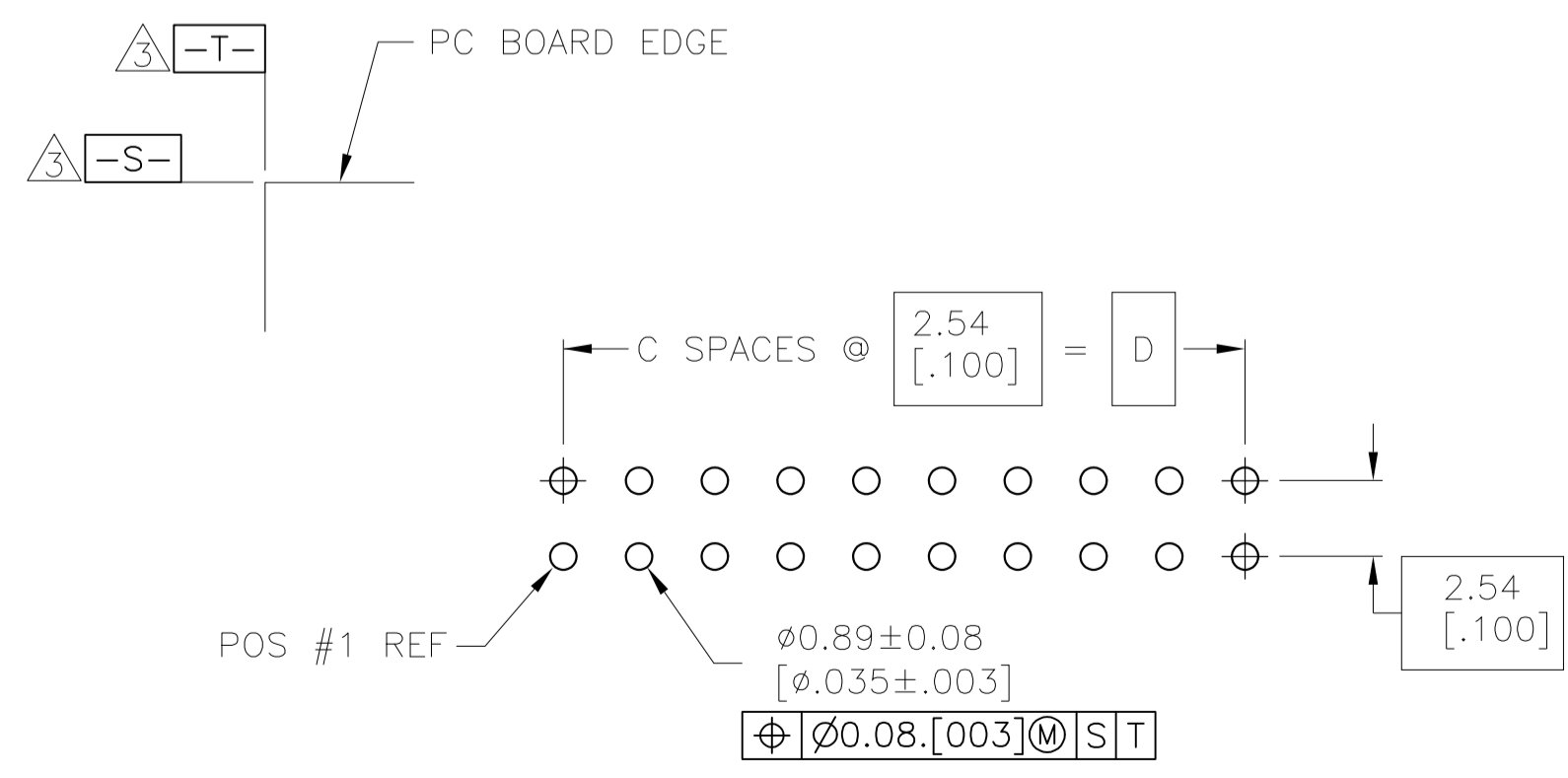




- △ HOUSING: PBT, UL94V-0, COLOR: (SEE TABLE).
- △ POSTS: PHOSPHOR BRONZE.
- △ POSTS: 0.00076[.000030] MIN GOLD ON MATING AREA, 0.00254[.000100] MIN TIN ON SOLDER END, ALL OVER 0.00127[.000050] MIN NICKEL ON ENTIRE POST.
- △ DATUMS S & T TO BE ESTABLISHED BY CUSTOMER.
- △ NO KEYING SLOT ON THIS END FOR 6, 10 & 14 POSITION ASSEMBLIES.
- △ NO KEYING SLOT ON THIS END FOR 6 & 10 POSITION ASSEMBLIES.



SECTION U-U



RECOMMENDED PC BOARD LAYOUT (VIEWED FROM CONNECTOR SIDE)

OBSOLETE	BLUE	78.74 [3.100]	31	86.36 [3.400]	88.90 [3.500]	64	3-1761679-7
		73.66 [2.900]	29	81.28 [3.200]	83.82 [3.300]	60	3-1761679-6
		60.96 [2.400]	24	68.58 [2.700]	71.12 [2.800]	50	3-1761679-5
		48.26 [1.900]	19	55.88 [2.200]	58.42 [2.300]	40	3-1761679-3
		43.18 [1.700]	17	50.80 [2.000]	53.34 [2.100]	36	3-1761679-2
		40.64 [1.600]	16	48.26 [1.900]	50.80 [2.000]	34	3-1761679-1
		30.48 [1.200]	12	38.10 [1.500]	40.64 [1.600]	26	2-1761679-9
		27.94 [1.100]	11	35.56 [1.400]	38.10 [1.500]	24	2-1761679-8
		22.86 [0.900]	9	30.48 [1.200]	33.02 [1.300]	20	2-1761679-7
		17.78 [0.700]	7	25.40 [1.000]	27.94 [1.100]	16	2-1761679-6
15.24 [0.600]	6	22.86 [0.900]	25.40 [1.000]	14	2-1761679-5		
10.16 [0.400]	4	17.78 [0.700]	20.32 [0.800]	10	2-1761679-3		
5.08 [0.200]	2	12.70 [0.500]	15.24 [0.600]	6	2-1761679-1		
BLACK		30.48 [1.200]	12	38.10 [1.500]	40.64 [1.600]	26	1761679-9
		10.16 [0.400]	4	17.78 [0.700]	20.32 [0.800]	10	1761679-3
HOUSING COLOR		D	C	B	A	NO OF POS	PART NUMBER

THIS DRAWING IS A CONTROLLED DOCUMENT.

DIMENSIONS: mm	TOLERANCES UNLESS OTHERWISE SPECIFIED:	DIN B. CRISAMORE/DJI 23MAY05	CHK S. BOLASH 23MAY05	APVD M. WALMSLEY 23MAY05	NAME
0 PLC ± -	1 PLC ± -	2 PLC ± -	3 PLC ± 0.13[.005]	4 PLC ± -	ANGLES ± -
MATERIAL		FINISH		SIZE	CAGE CODE
CUSTOMER DRAWING		SCALE 4:1		DRAWING NO. A1 00779	DRAWING NO. 1761679
SHEET 1 OF 1		REV B1		RESTRICTED TO	

STE TE Connectivity  
 HEADER ASSEMBLY, VERTICAL, LOW PROFILE, IDC

# Mouser Electronics

Authorized Distributor

Click to View Pricing, Inventory, Delivery & Lifecycle Information:

[TE Connectivity:](#)

[3-1761679-7](#)