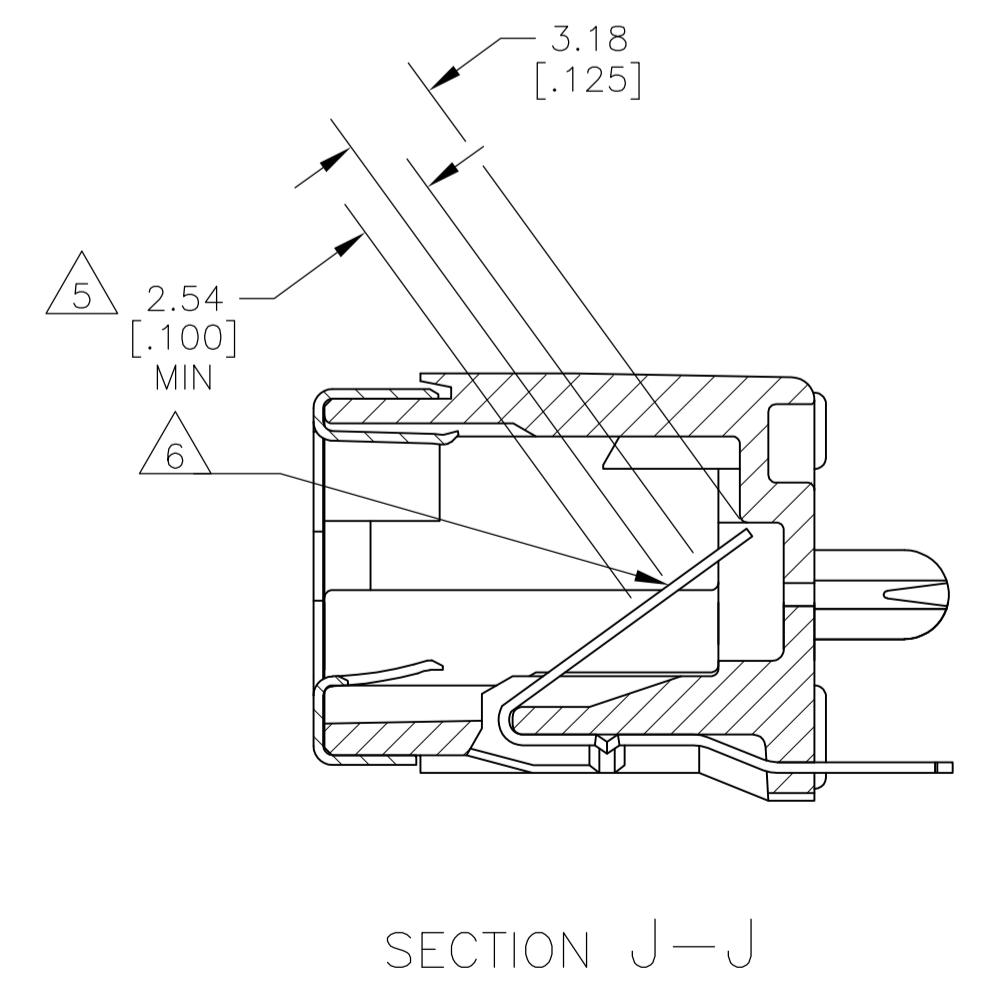
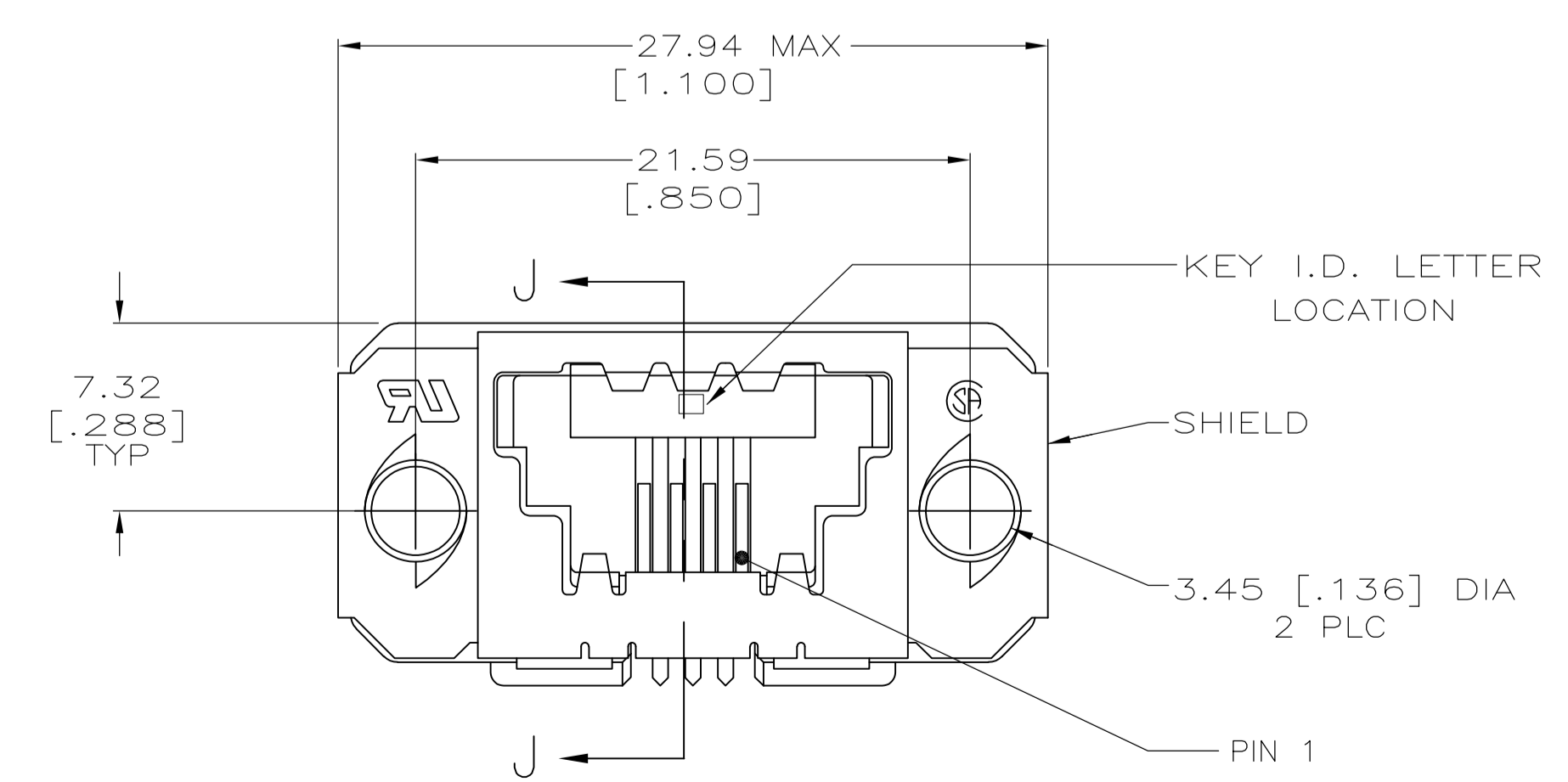
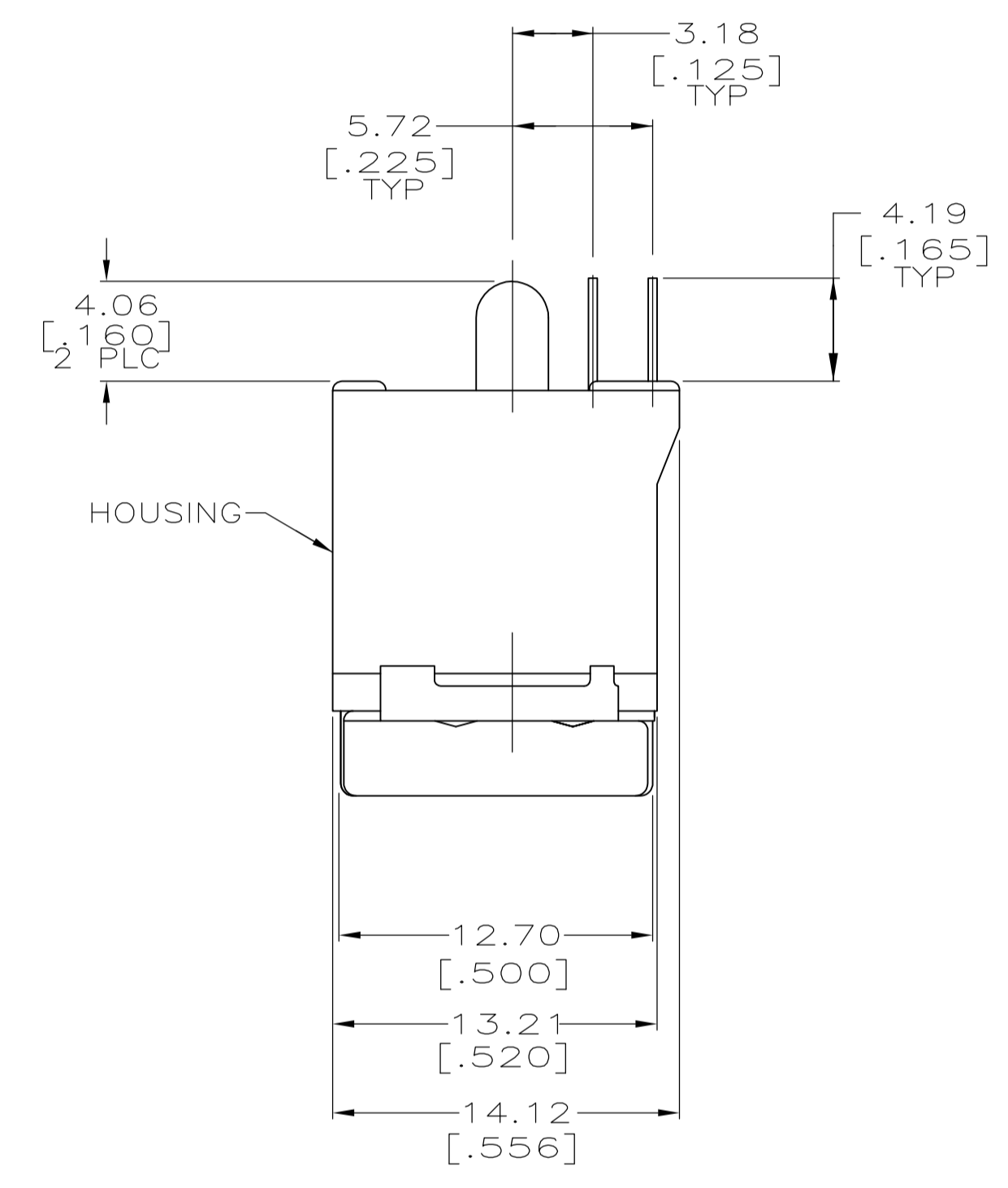
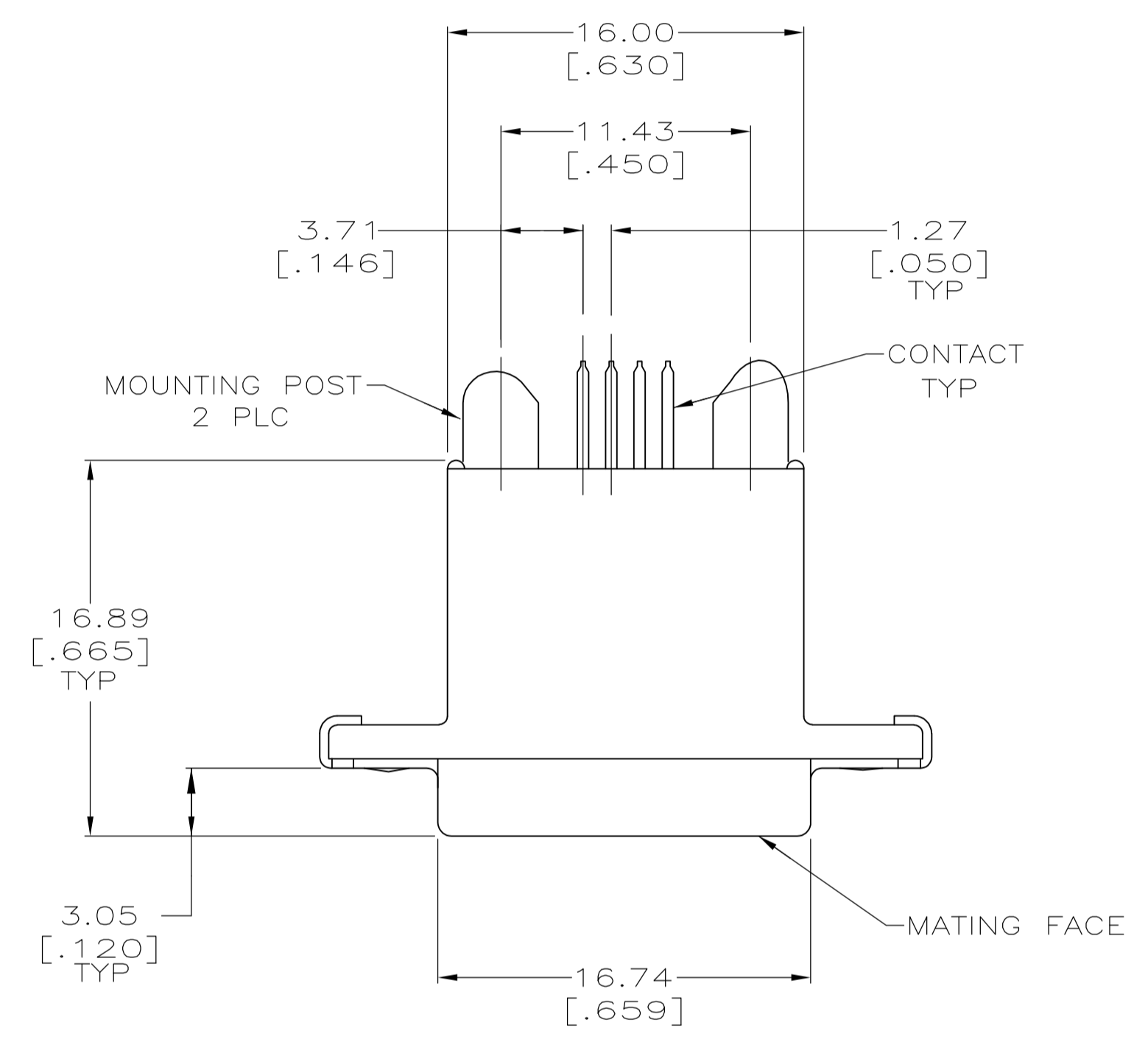


LOC		DIST		REVISIONS			
PL	LYR	DESCRIPTION	DATE	DWN	APVD		
A		REVISED PER ECO-11-019758	15FEB2012	CJV	CWR		

- PREFIX AND SUFFIX NUMBERS MUST MATCH THOSE ON PLUG ASSEMBLY FOR PARTS TO MATE.
- POLYESTER, FLAME RETARDANT, UL 94V-0 RATED, GLASS FILLED, BLACK.
- 0.76µm [.000030] MIN BRIGHT TIN OVER 1.27µm [.000050] MIN NICKEL.
- 1.27µm [.000050] MIN GOLD ON MATING SURFACE FOR A LENGTH OF 2.54 [.100] MIN, 3.81µm [.000150] MIN MATTE TIN ON OPPOSITE END FOR A LENGTH OF 3.81 [.150] MIN, BOTH OVER 1.27µm [.000050] MIN NICKEL ON ENTIRE CONTACT.
- DIMENSION INDICATES CONTACT MATING AREA.
- PLATING MEASUREMENT POINT.



D	4-1761207-1
KEY I.D. LETTER	PART NO

THIS DRAWING IS A CONTROLLED DOCUMENT. DIMENSIONING AND TOLERANCING PER ASME Y14.5M-2009		DIN B MCMASTER 18FEB04	TE Connectivity	
DIMENSIONS: mm[INCHES]		CJK C RÖHDE 30APR04	APVD M WALMSLEY 30APR04 NAME	
TOLERANCES UNLESS OTHERWISE SPECIFIED:		PRODUCT SPEC 108-2047		
0 PLC ± -		APPLICATION SPEC 114-2081		
1 PLC ± -		SIZE CAGE CODE DRAWING NO		
2 PLC ± 0.38 [.015]		WEIGHT A1 00779 C=1761207		
3 PLC ± -		CUSTOMER DRAWING		
4 PLC ± -		SCALE 4:1 SHEET 1 OF 1 REV A		
ANGLES ± -				
FINISH SHIELD: 5 CONTACT: 6				
MATERIAL HOUSING: SHIELD: BRASS CONTACT: PHOS BRONZE				

Mouser Electronics

Authorized Distributor

Click to View Pricing, Inventory, Delivery & Lifecycle Information:

[TE Connectivity:](#)

[4-1761207-1](#)