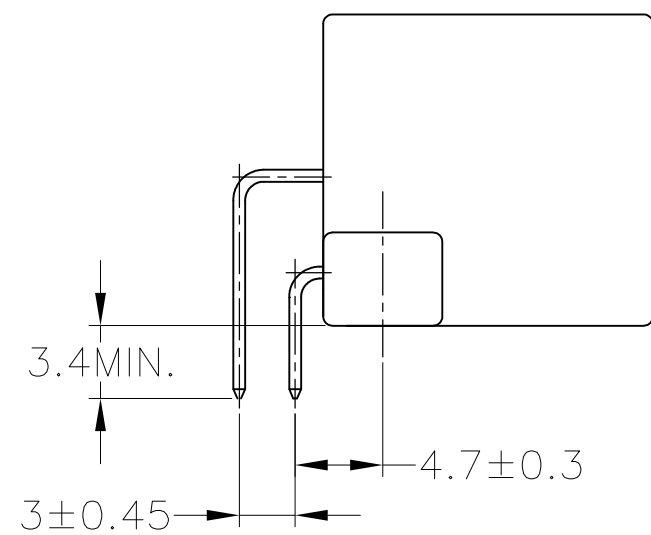
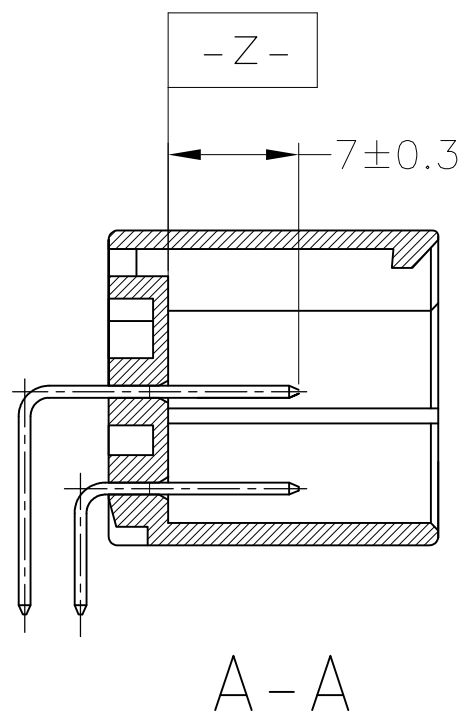
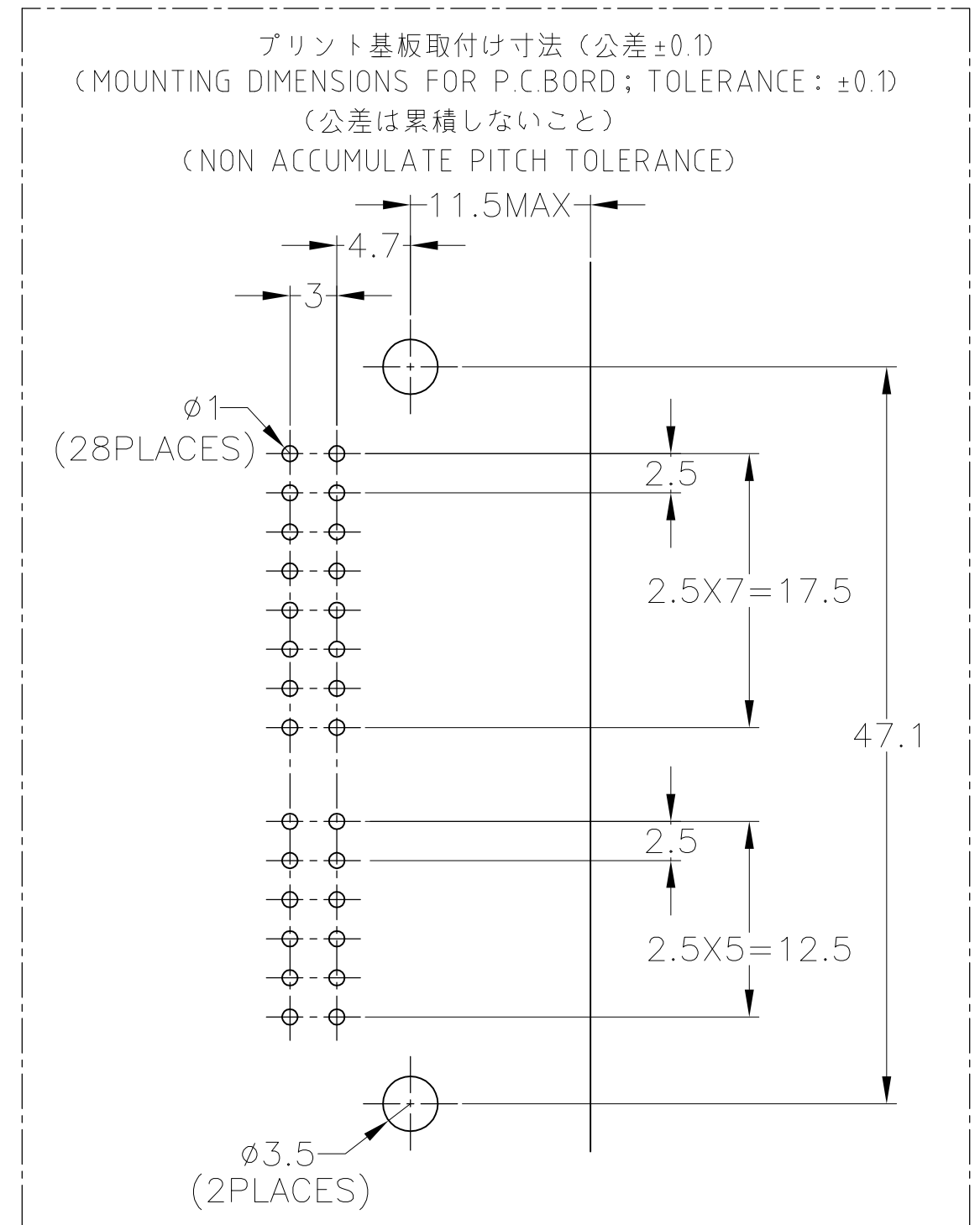
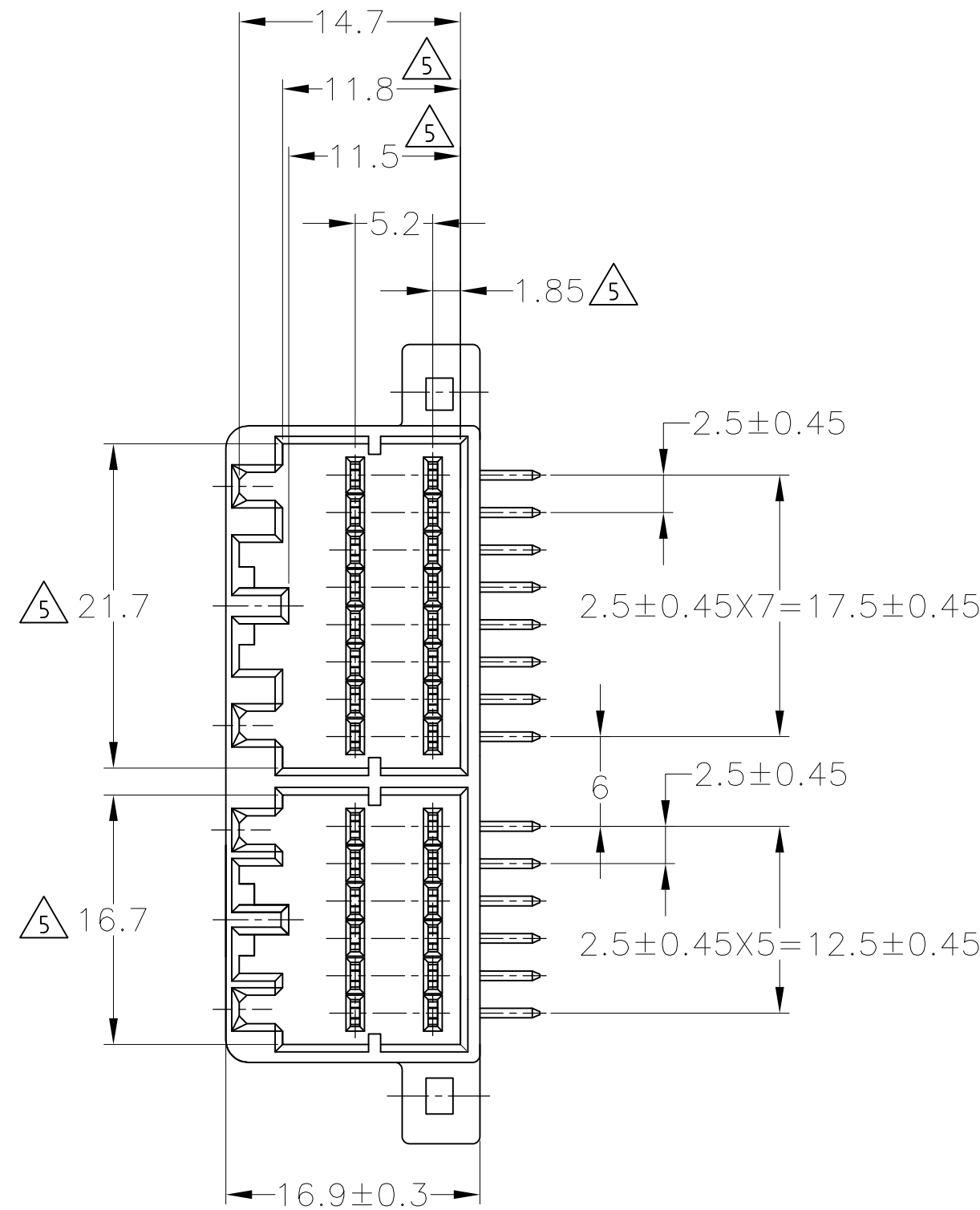
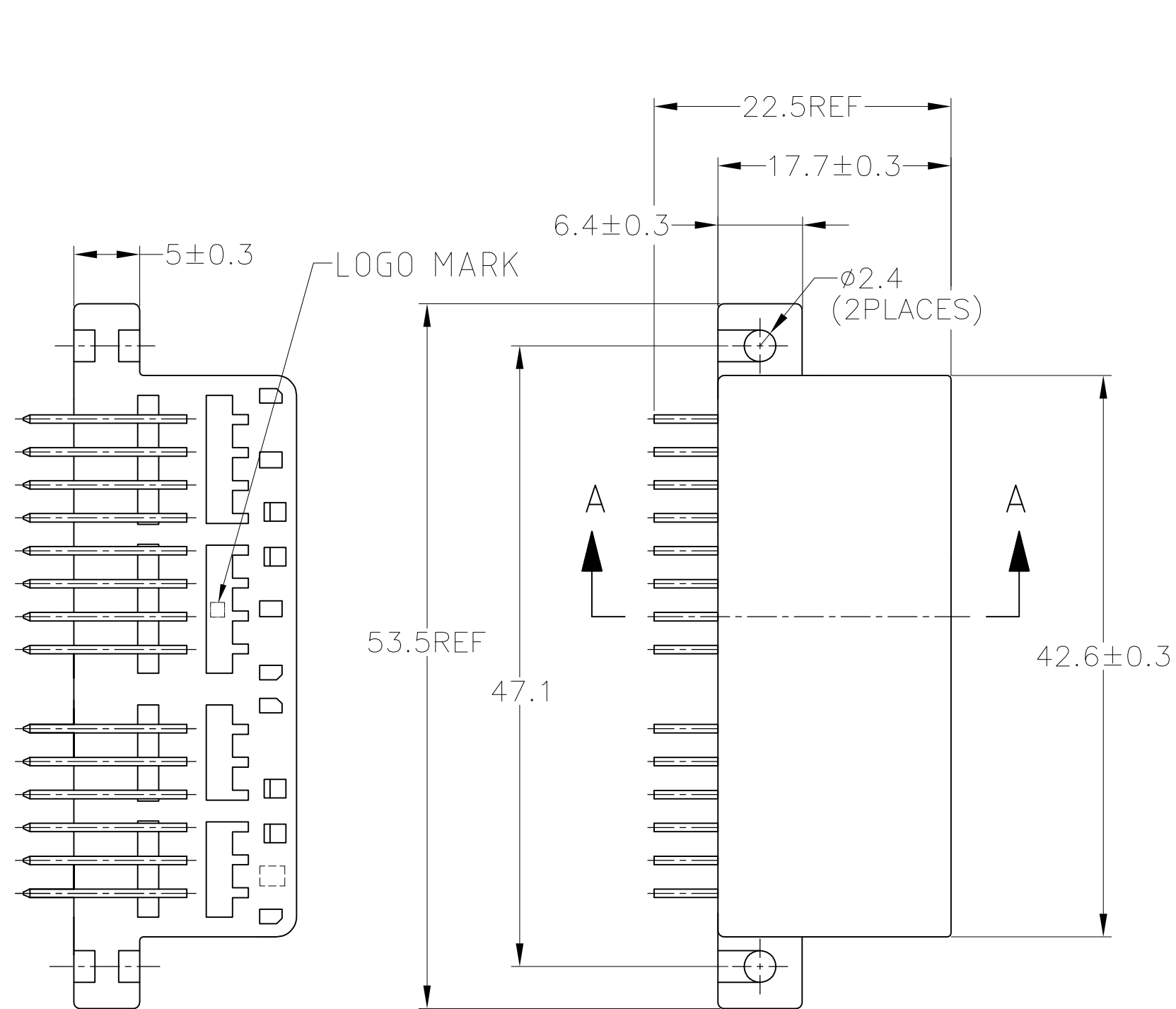
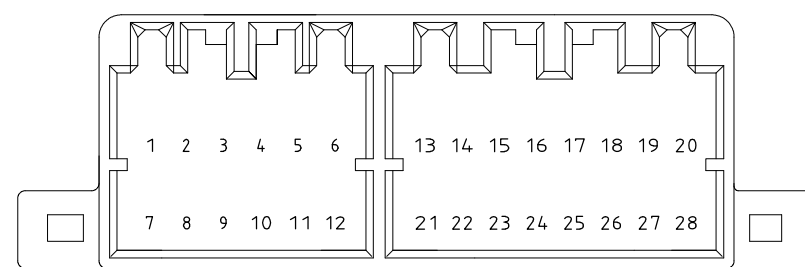


| LOC | DIST | REVISIONS |                           |             |         | DATE | DWN | APVD |
|-----|------|-----------|---------------------------|-------------|---------|------|-----|------|
|     |      | P         | LTR                       | DESCRIPTION | DATE    |      |     |      |
| J   | -    | C1        | REVISED PER ECO-11-005140 |             | 28MAR11 | RK   | HMR |      |



- 適用プリント基板厚; 1.6mm
  - 推奨取付けネジ; JIS B1115, B1122 タッピングネジ、ナベ2種呼び径3、長さ6mm以上(締付トルク; 39.2n-cm以下)
  - 嵌合相手ハウジング; 175965, 175966
  - 適用製品規格番号; 108-5281
- △-Z- 面から2mmの範囲で測定  
 △回路番号; 下図参照のこと



- APPLICABLE P.C.B BOARD THICKNESS; 1.6mm
  - RECOMMENDED MOUNTING SCREW 3mm DIA 6mm LENGTH (MIN.) TAPPING SCREW SPECIFIED IN JIS B1115, B1122 (TIGHTENING TORQUE; 39.2N-cm MAX.)
  - THE MATING PLUG HOUSING PART NUMBER; 175965, 175966
  - APPLICABLE PRODUCT SPEC No.; 108-5281
- △ TO BE MEASURED WITHIN 2mm FROM -Z-  
 △ CIRCUIT NUMBER

|                         |                             |   |                         |                   |
|-------------------------|-----------------------------|---|-------------------------|-------------------|
| SELECTIVE-TIN (MATTE)   | SELECTIVE GOLD × 28         | 全回路 (ALL CIRCUIT)                                   | 黒 (BLACK)               | 1-5175976-2       |
| TIN-LEAD                | SELECTIVE GOLD × 4          | ⑥ ⑫ ⑳ ㉓   | 黒 (BLACK)               | 3-175976-2        |
| TIN-LEAD                | PRE-TIN × 24                |   | 黒 (BLACK)               | 2-175976-2        |
| TIN-LEAD                | SELECTIVE GOLD × 3          | ④ ⑤ ⑥   | 黒 (BLACK)               | 1-175976-2        |
| TIN-LEAD                | PRE-TIN × 25                |   | 黒 (BLACK)               | 175976-3          |
| SELECTIVE-TIN (MATTE)   | SELECTIVE GOLD × 2          | ⑭ ㉒   | 黒 (BLACK)               | 175976-2          |
|                         | SELECTIVE-TIN (BRIGHT) × 26 |   | 黒 (BLACK)               |                   |
|                         | PRE-TIN × 28                | -   | 黒 (BLACK)               |                   |
| SOLDERING SIDE<br>半田付け部 | CONTACT SIDE<br>接触部側        | △ CIRCUIT NO OF GOLD PLATED CONTACT<br>金めっき端子使用回路番号 | HOUSING COLOR<br>ハウジング色 | PART NUMBER<br>型番 |
|                         | CONTACT FINISH<br>コンタクト仕上げ  |   |                         |                   |

TOLERANCE UNLESS OTHERWISE SPECIFIED: 一般公差

|              |         |
|--------------|---------|
| 0 < x ≤ 10   | : ±0.2  |
| 10 < x ≤ 30  | : ±0.25 |
| 30 < x ≤ 100 | : ±0.3  |
| ANGLE        | : ±3°   |

THIS DRAWING IS A CONTROLLED DOCUMENT.

|                      |   |
|----------------------|---|
| DIMENSIONS: 単位: 概 mm | TOLERANCES UNLESS OTHERWISE SPECIFIED: 一般公差 |
| 0 PLC ±              | 1 PLC ±                                     |
| 2 PLC ±              | 3 PLC ±                                     |
| 4 PLC ±              | ANGLES ±                                    |
| MATERIAL 材料          | FINISH 仕上                                   |
| HOUSING: PBT         | CONTACT: BRASS                              |

|                          |                       |                        |                        |                                       |
|--------------------------|-----------------------|------------------------|------------------------|---------------------------------------|
| DWN A. YAMAGUCHI 05APR02 | CHK K. BETSUI 05APR02 | APVD K. BETSUI 05APR02 | NAME 名称                | 040 SERIES MULTI-LOCK I/O CONN. MK-II |
| PRODUCT SPEC 製品規格        |                       |                        |                        | 28Pos. CAP HOUSING ASSEMBLY (H-TYPE)  |
| APPLICATION SPEC 取付適用規格  |                       |                        |                        | SEE NOTE 4                            |
| WEIGHT 9.14 g            | SIZE A2               | CAGE CODE 00779        | DRAWING NO 番号 C=175976 | RESTRICTED TO -                       |
| CUSTOMER DRAWING         | SCALE 尺度 2:1          | SHEET 1 of 1           | REV C1                 |                                       |

175976

B

A

# Mouser Electronics

Authorized Distributor

Click to View Pricing, Inventory, Delivery & Lifecycle Information:

[TE Connectivity:](#)

[1-175976-2](#)