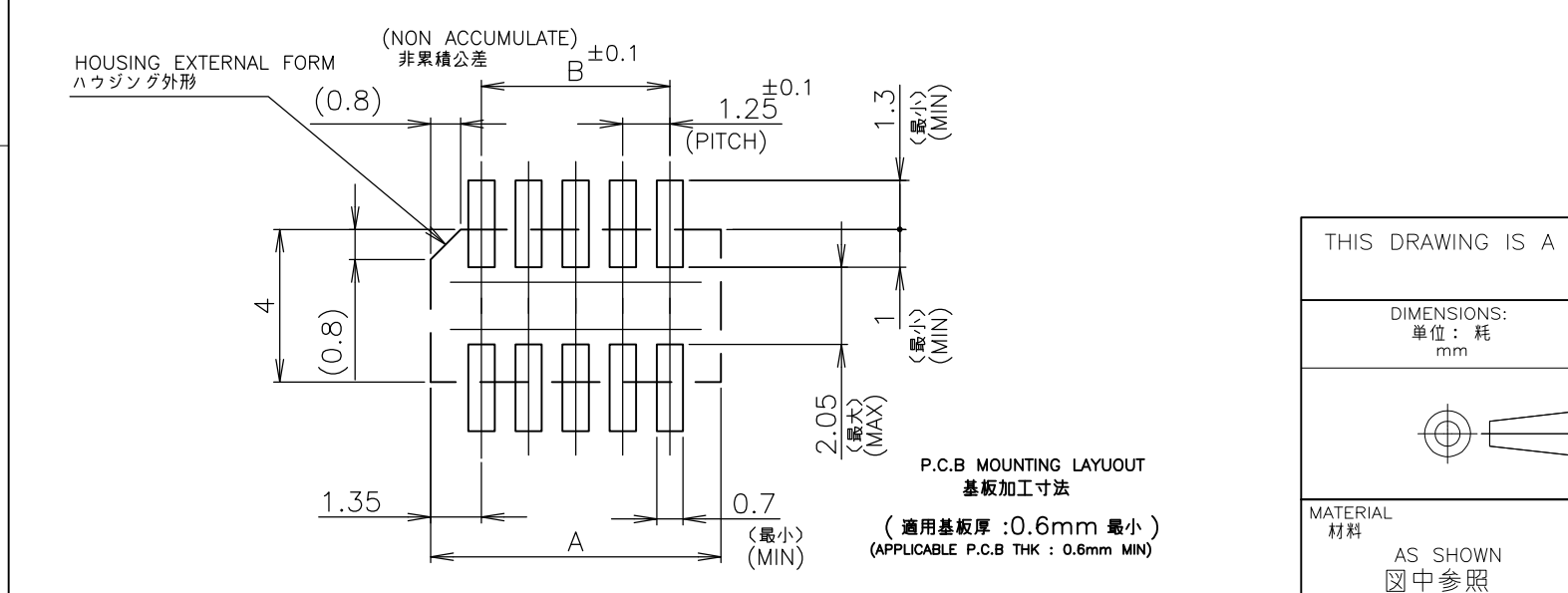
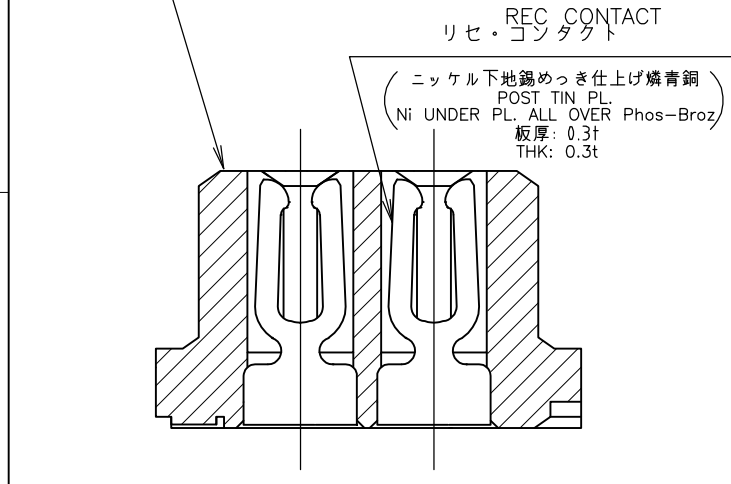
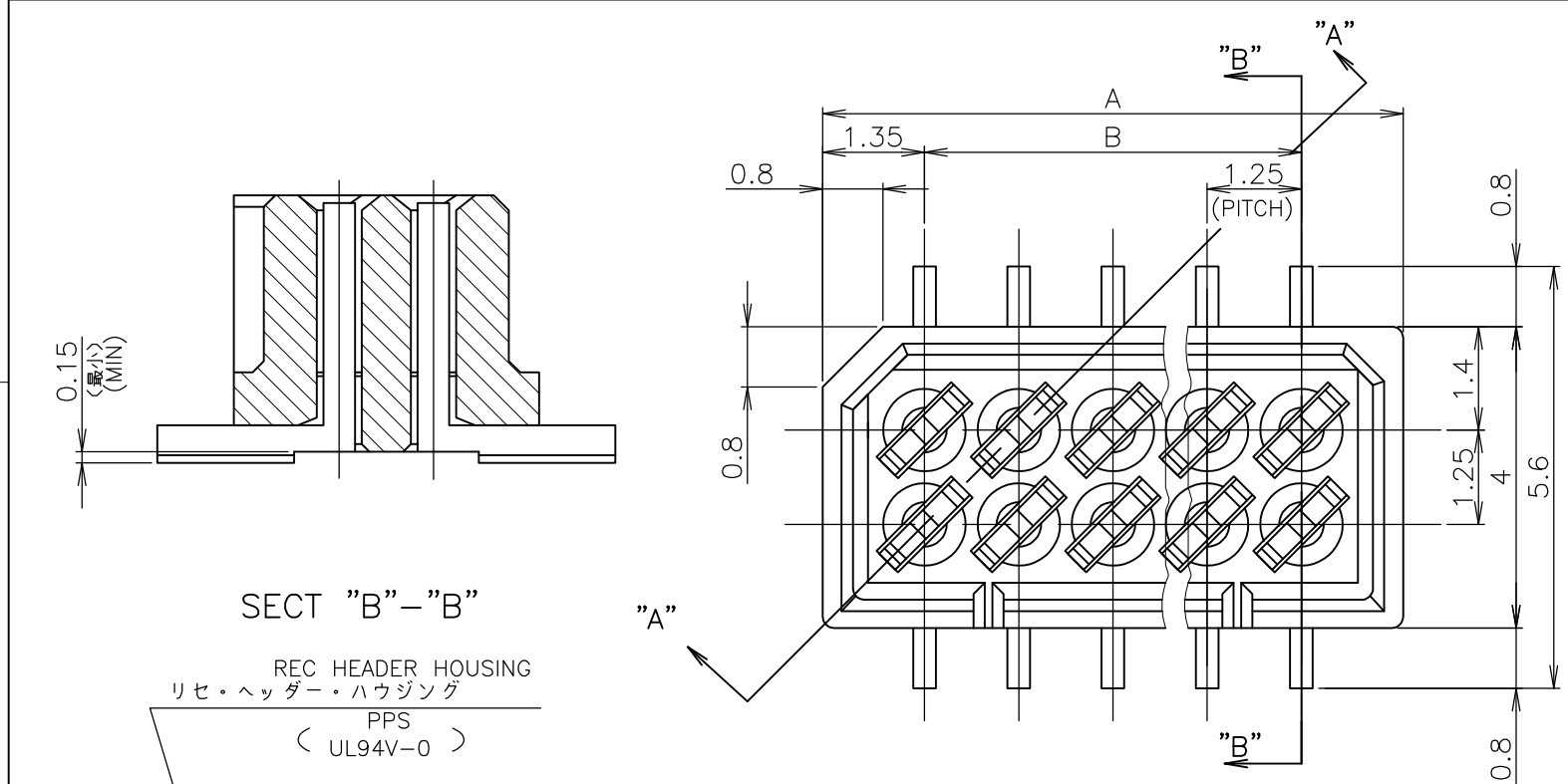


THIS DRAWING IS UNPUBLISHED. RELEASED FOR PUBLICATION ? . ? .
 © COPYRIGHT ? By Tyco Electronics Japan G.K. ALL RIGHTS RESERVED.

LOC	DIST	REVISIONS					
		P	LTR	DESCRIPTION	DATE	DWN	APVD
J		L		REVISED ECR-14-010014	20NOV2014	I.T	W.H



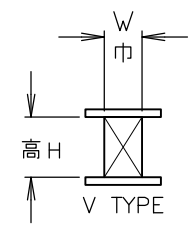
NOTES
 1 嵌合相手製品型番及び、嵌合時寸法は MATING COUNTER PART NUMBER AND DIMENSIONS 表-1 参照のこと。 AFTER MATING: SEE TABLE 1.

嵌合時寸法: 巾(mm)×高さ(mm)
DIMENSIONS AFTER MATING: WIDE(mm) x HEIGHT(mm)

DIP TYPE	MATING COUNTER CONN 嵌合相手側コネクタ POST HDR ASSY		REC HDR ASSY SMT V TYPE WITHOUT BOSS X-174604-X	
	製品型番	P/N	高さ H	
DIP TYPE	X-174643-X		3.95	4.0 (巾W) x 5.0 (高さH)
			5.95	4.0 (巾W) x 7.0 (高さH)
SMT TYPE	ボス無 WITHOUT BOSS X-174645-X ボス付 WITH BOSS X-174821-X		3.95	5.6 (巾W) x 5.0 (高さH)
			5.45	5.6 (巾W) x 6.5 (高さH)
			5.95	5.6 (巾W) x 7.0 (高さH)
SMT TYPE	ボス無 WITHOUT BOSS X-178040-X ボス付 WITH BOSS X-176756-X		9.35	7.0 (巾W) x 10.5 (高さH)

TABLE 1 SMT TYPEは、巾及び高さ寸法に SMT TYPE INCLUDE DIMENSIONS 半田付タイプ寸法を含みます。 OF SOLDER DIP TYPE.

2 基板位置決め用ボス切断跡。 CUT MARK OF POSITIONER BOSS.



OBSOLETE			11.25	13.95	20	5-	-0
			10.00	12.70	18	4-	-8
			8.75	11.45	16	4-	-6
			7.50	10.20	14	4-	-4
			6.25	8.95	12	4-	-2
			5.00	7.70	10	4-	-0
	黒色 BLACK		2.50	5.20	6	3-	174904-6
OBSOLETE	色別 COLOR	B	A	極数 Pos.		型番 P/N	

THIS DRAWING IS A CONTROLLED DOCUMENT.

DWN J.TANIGAWA 31MAY88	TE Connectivity	1.25 F-P CONNECTOR (B-TO-B) DOUBLE ROW REC HDR ASSY (V) SMT TYPE WITHOUT BOSS	RESTRICTED TO
CHK S.KIKUCHI 31MAY88			
APVD N.ONOUE 31MAY88			
PRODUCT SPEC 製品規格			
APPLICATION SPEC 取付適用規格	SIZE A3	CAGE CODE 00779	DRAWING NO. C-174904
MATERIAL 材料 AS SHOWN 図中参照	WEIGHT	CUSTOMER DRAWING	SCALE 10:1
DIMENSIONS: 単位: 耗 mm	TOLERANCES UNLESS OTHERWISE SPECIFIED: 一般公差	FINISH 仕上 AS SHOWN 図中参照	SHEET 1 OF 1
0-PLC ±	1-PLC ±	2-PLC ±	REV L
3-PLC ±	4-PLC ±	ANGLES ±3°	

Mouser Electronics

Authorized Distributor

Click to View Pricing, Inventory, Delivery & Lifecycle Information:

[TE Connectivity:](#)

[4-174904-2](#)