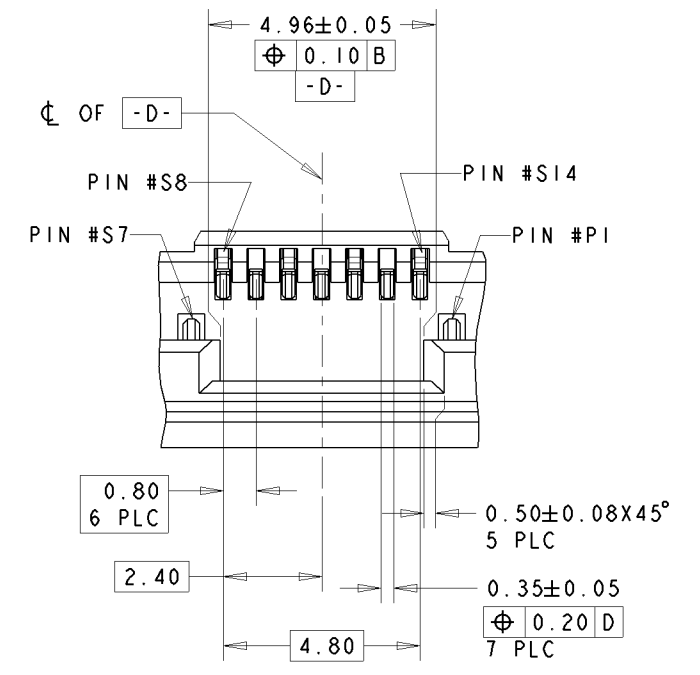
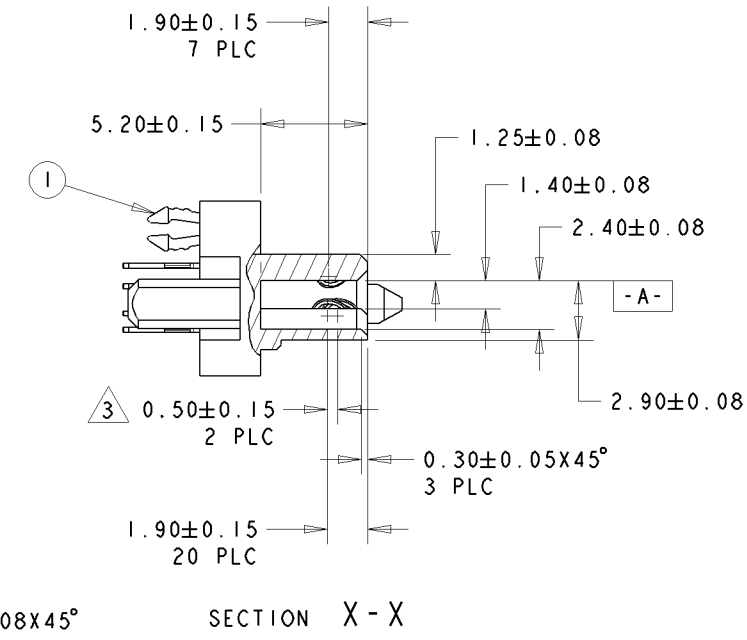
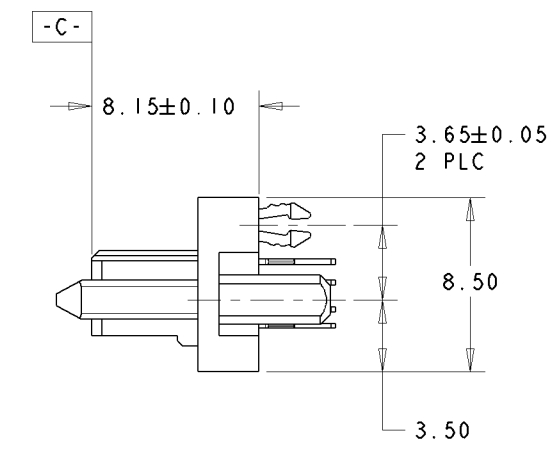
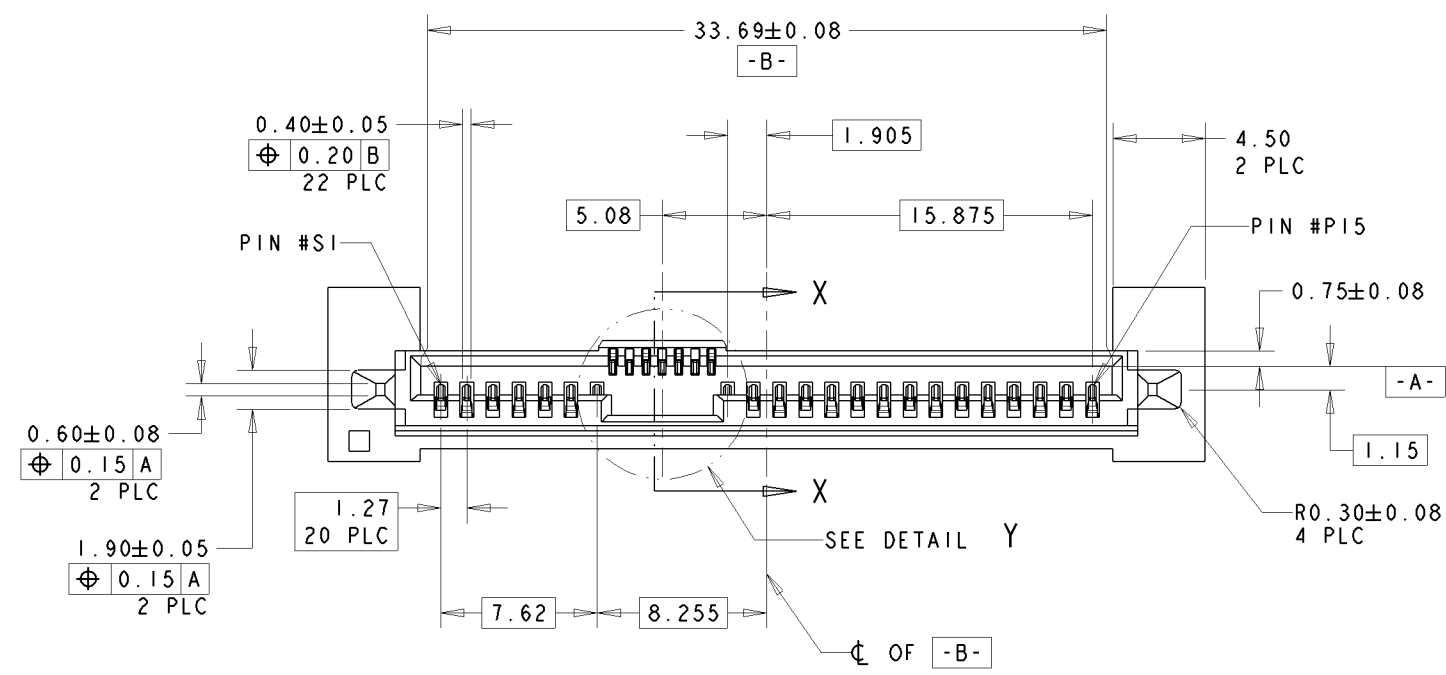


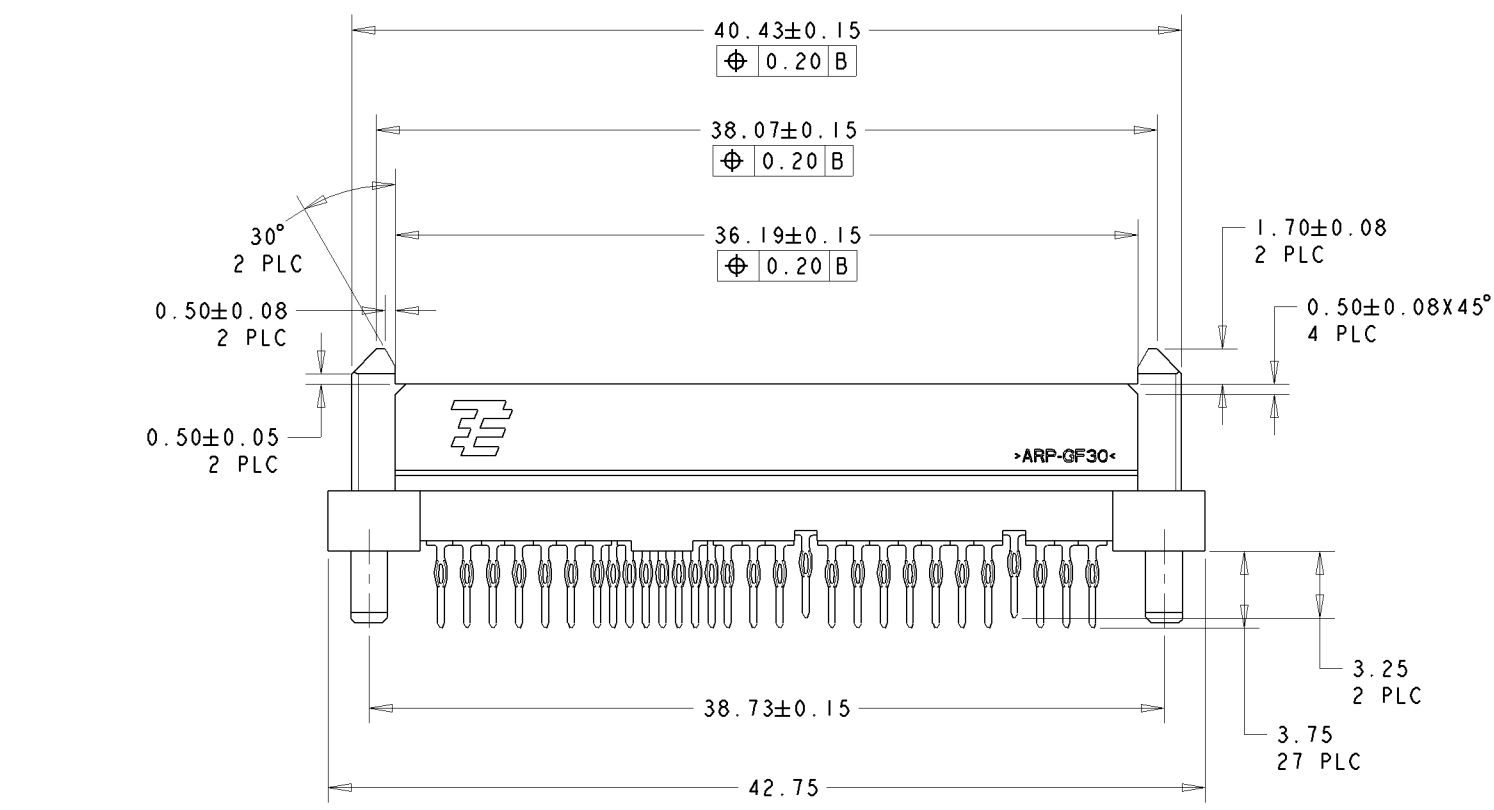
LOC	DIST	REVISIONS			
P	LTR	DESCRIPTION	DATE	DWN	APVD
DY	-	B	REVISED ECR-10-012418	11JUN10	LSK LSF

NOTES:

- 1 MATERIAL:
HOUSING: HIGH TEMP THERMOPLASTIC, UL94V-0,
COLOR: BLACK
CONTACT: COPPER ALLOY
BOARDLOCK: COPPER ALLOY
- 2 FINISH:
CONTACT AREA: MIN 0.76um GOLD PLATING
SOLDERTAIL: MIN 2.54um MATTE TIN PLATING
UNDERPLATE: MIN 1.27um NICKEL PLATING
- 3 PIN #P4 AND #P12 ONLY



DETAIL Y
SCALE 8:1



THIS DRAWING IS A CONTROLLED DOCUMENT FOR AMP INCORPORATED. IT IS SUBJECT TO CHANGE AND THE CONTROLLING ENGINEERING ORGANIZATION SHOULD BE CONTACTED FOR THE LATEST REVISION.

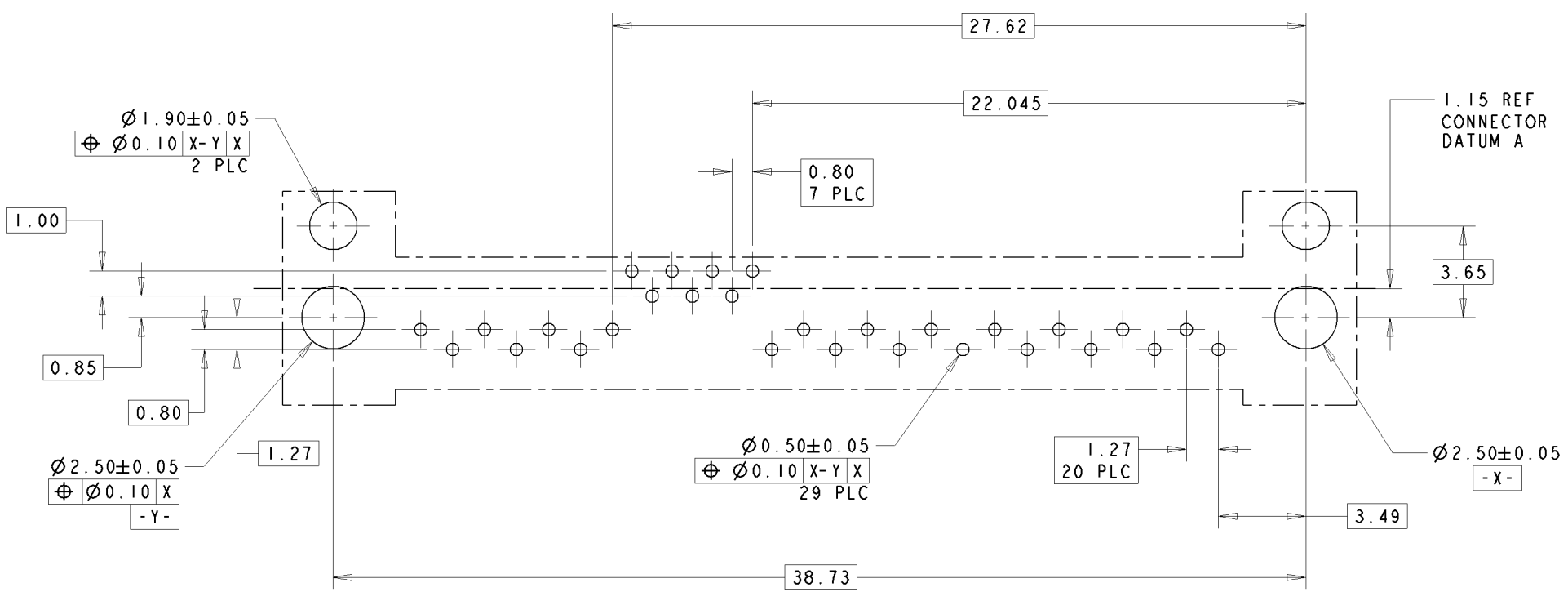
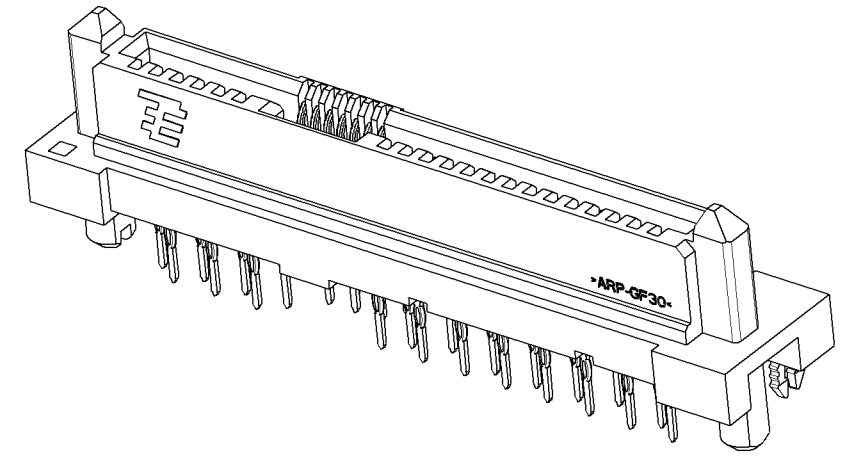
DIMENSIONS	TOLERANCES UNLESS OTHERWISE SPECIFIED:
mm	0 PLC ±
	1 PLC ±
	2 PLC ±0.20
	3 PLC ±
	4 PLC ±
	ANGLES ±3°
	FINISH 2

DWN	SK LEAW	10JUN2005	Tyco Electronics Singapore Pte. Ltd.					
CHK	SF LEONG	10JUN2005						
APVD	SF LEONG	10JUN2005						
NAME	SAS BACKPLANE RECEPTACLE, VERTICAL, PRESS-FIT							
PRODUCT SPEC	108-51067		SIZE	A2	CAGE CODE	00779	DRAWING NO	C=1735164
APPLICATION SPEC	114-51013		SCALE	4:1	SHEET	1	OF	2
WEIGHT	-		CUSTOMER DRAWING	REV B				

NO	1735164-2
YES	1735164-1
BOARDLOCK (1)	PART NUMBER

THIS DRAWING IS UNPUBLISHED. RELEASED FOR PUBLICATION .19
 © COPYRIGHT 19 BY AMP INCORPORATED. ALL RIGHTS RESERVED.

LOC	DIST	REVISIONS			
P	LTR	DESCRIPTION	DATE	DWN	APVD
DY	-	SEE SHEET 1	-	-	-



RECOMMENDED PCB LAYOUT
 SCALE 6:1

<small>THIS DRAWING IS A CONTROLLED DOCUMENT FOR AMP INCORPORATED. IT IS SUBJECT TO CHANGE AND THE CONTROLLING ENGINEERING ORGANIZATION SHOULD BE CONTACTED FOR THE LATEST REVISION.</small>		DWN SK LEAW 10JUN2005 CHK SF LEONG 10JUN2005 APVD SF LEONG 10JUN2005	Tyco Electronics Singapore Pte. Ltd.
DIMENSIONS - mm 		PRODUCT SPEC 108-51067 APPLICATION SPEC 114-51013	NAME SAS BACKPLANE RECEPTACLE, VERTICAL, PRESS-FIT SIZE A2 CAGE CODE 00779 DRAWING NO. C=1735164
TOLERANCES UNLESS OTHERWISE SPECIFIED: 0 PLC ± 1 PLC ± 2 PLC ±0.20 3 PLC ± 4 PLC ± ANGLES ±3° FINISH -		WEIGHT - CUSTOMER DRAWING	SCALE 4:1 SHEET 2 of 2 REV B

Mouser Electronics

Authorized Distributor

Click to View Pricing, Inventory, Delivery & Lifecycle Information:

[TE Connectivity:](#)

[1735164-1](#)