

4

3

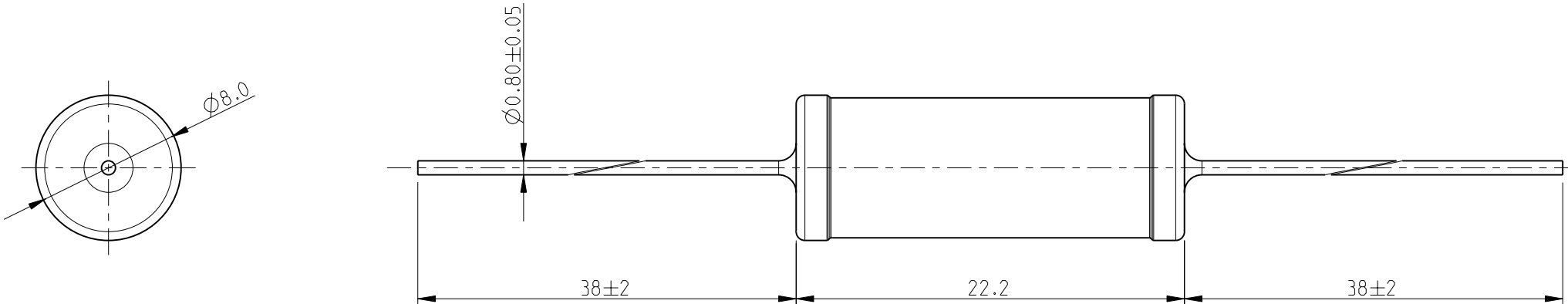
2

1

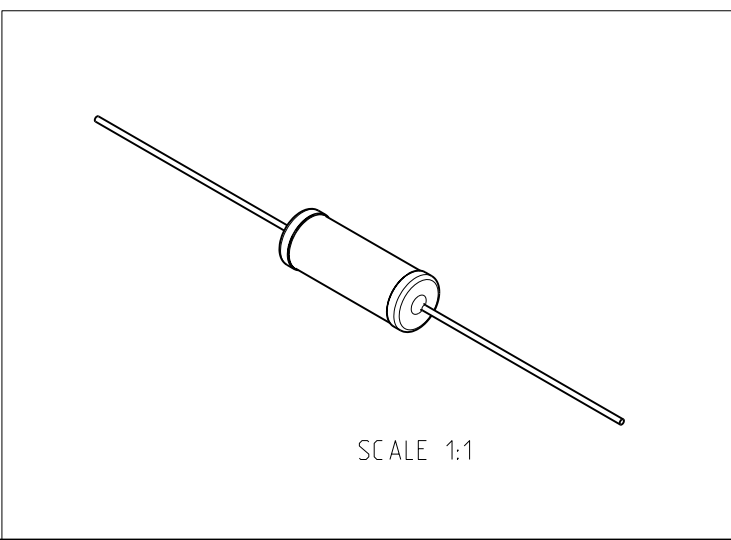
THIS DRAWING IS UNPUBLISHED. RELEASED FOR PUBLICATION 2010
 © COPYRIGHT 2010 BY - ALL RIGHTS RESERVED.


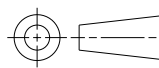
LOC	DIST	REVISIONS			
P	LTR	DESCRIPTION	DATE	DWN	APVD
E	B	BA1	REVISED PER ECO-11-005150	29MAR2011	RK HMR

FOR FURTHER INFORMATION SEE DATA SHEET FOR
 SERIES ER/ERV- HIGH POWER RESISTORS



RoHS Compliant



THIS DRAWING IS A CONTROLLED DOCUMENT.		DWN	MAHARUDRA	11-FEB-10	 TE Connectivity NAME HIGH POWER RESISTORS SERIES ER58				
DIMENSIONS: mm		CHK	ALLAN.P	11-FEB-10					
		APVD	STEPHEN.P	11-FEB-10					
TOLERANCES UNLESS OTHERWISE SPECIFIED: 0 PLC ± 0.2 1 PLC ± 0.1 2 PLC ± - 3 PLC ± - 4 PLC ± - ANGLES ± 5°		PRODUCT SPEC	-	-					
MATERIAL	-	APPLICATION SPEC	-	-	SIZE	CAGE CODE	DRAWING NO	RESTRICTED TO	
FINISH		WEIGHT	-	-	A3	00779	1623750	-	
CUSTOMER DRAWING				SCALE	3:1	SHEET	1 OF 1	REV	BA1

Mouser Electronics

Authorized Distributor

Click to View Pricing, Inventory, Delivery & Lifecycle Information:

[TE Connectivity:](#)

[ER5820KDT](#)