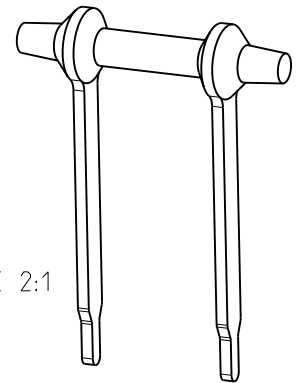
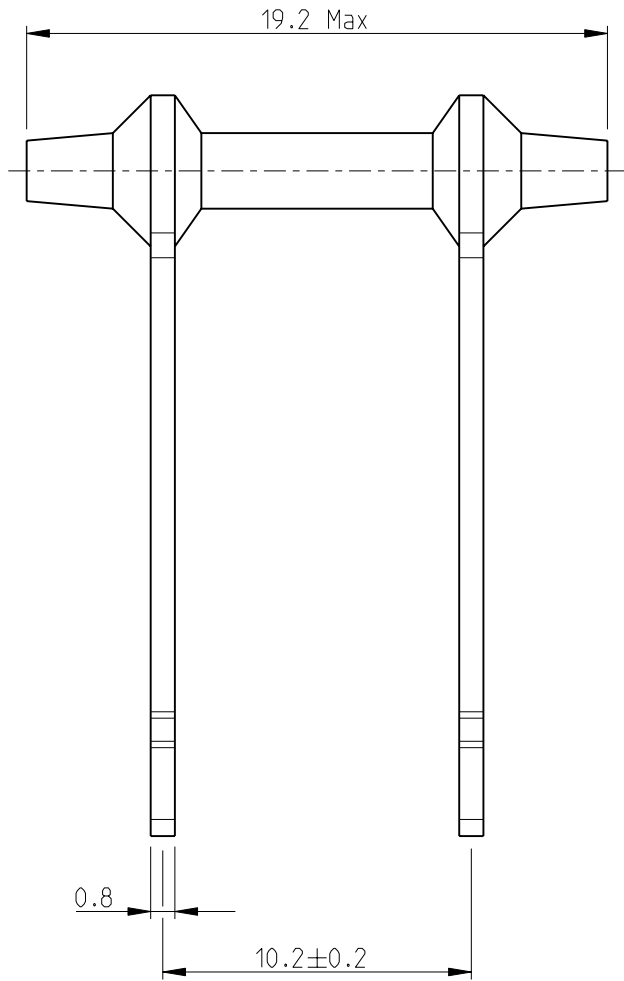
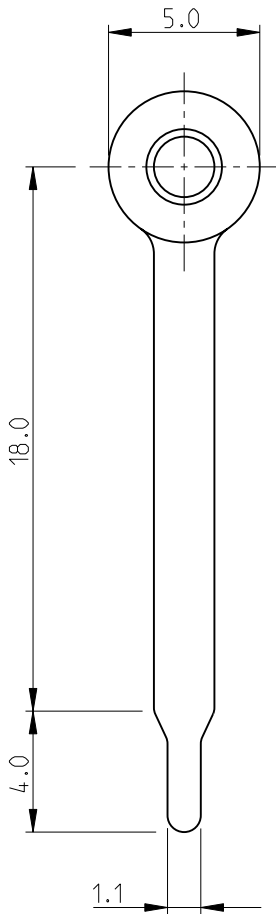


LOC	DIST	REVISIONS					
E	B	P	LTR	DESCRIPTION	DATE	DWN	APVD
		BA		NEW RELEASE	05-AUG-09	SM	St.P



SCALE 2:1

FOR FURTHER INFORMATION SEE DATA SHEET FOR  
SERIES FC- HIGH POWER RESISTORS

RoHS Compliant

2009

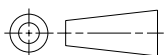
RELEASED FOR PUBLICATION

THIS DRAWING IS UNPUBLISHED.

BY TYCO ELECTRONICS CORPORATION. ALL RIGHTS RESERVED.



DIMENSIONS: mm	DWN	05-AUG-09	MATERIAL	-	FINISH	-
	CHK	05-AUG-09	Tyco Electronics Corporation Dorcan, Swindon, SN3 5HH			
TOLERANCES UNLESS OTHERWISE SPECIFIED:	ALLAN.P	05-AUG-09				
	APVD	05-AUG-09	NAME	HIGH POWER RESISTORS SERIES FCB2 (HIGH PROFILE STANDOFF)		
0 PLC ±0.5	STEPHEN.P		SIZE	CAGE CODE	DRAWING NO	RESTRICTED TO
1 PLC ±0.2	PRODUCT SPEC	-	A 4	00779	©-1623713	-
2 PLC ±0.1	APPLICATION SPEC	-	CUSTOMER DRAWING			
3 PLC ±-	WEIGHT	-	SCALE	4:1	SHEET	1 OF 1
4 PLC ±-			REV	BA		
ANGLES ±5°						



# Mouser Electronics

Authorized Distributor

Click to View Pricing, Inventory, Delivery & Lifecycle Information:

[TE Connectivity:](#)

[FCB24R7J](#)