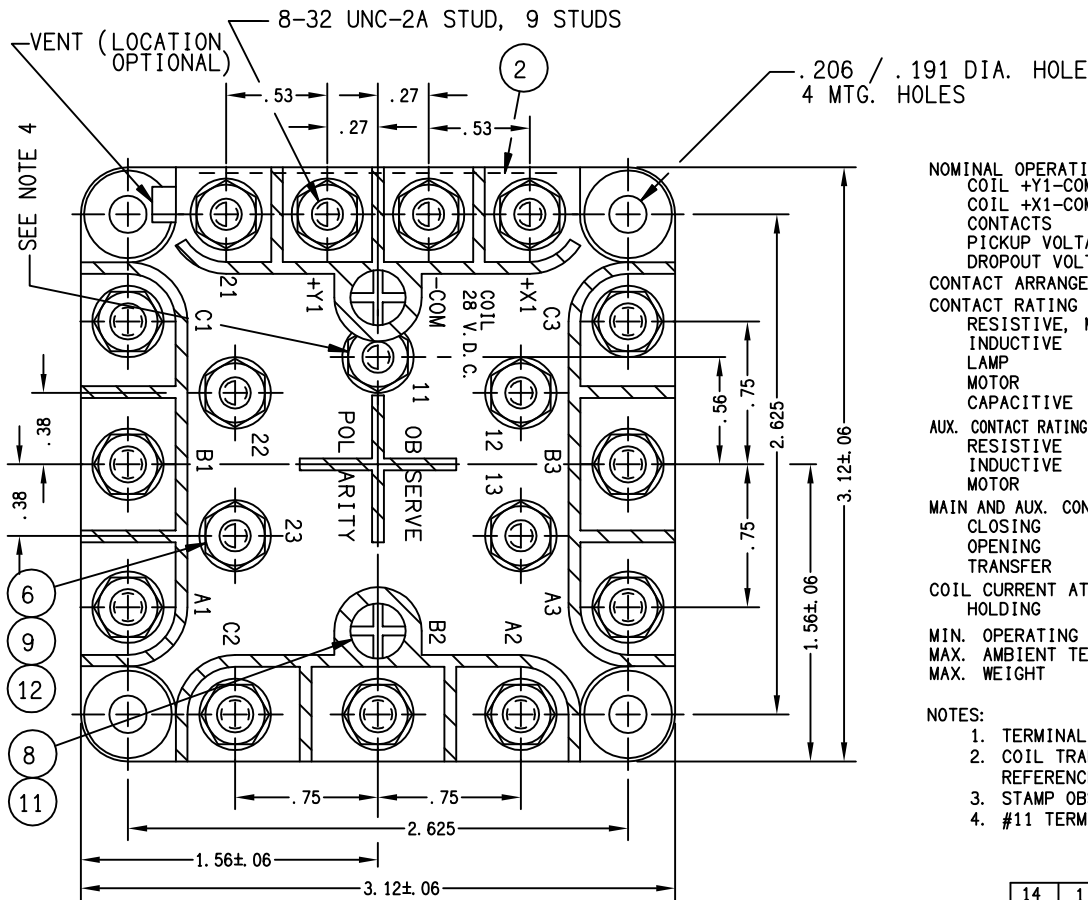
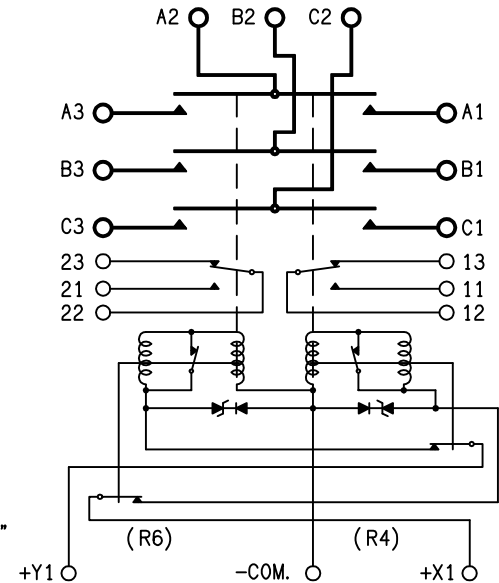


REVISIONS		RELEASED	
SYM	DESCRIPTION	DATE	APPROVED
F	20750 REDRAWN, ADDED NOTE 4	8-2-90	WS
G	24654 ADDED ITEM 14	9-21-93	WS
H	0070-05 CHANGED VIEW TO SHOW PHILLIPS SCREWS	05/02/14	CB
J	12-001857 ITEM 7 WAS 50410-054	11/12/01	CB
K	12-007103 2.39 MAX WAS 2.38, .11 WAS .125, 3.02 MAX WAS 3.00	12/04/02	CB



NOMINAL OPERATING VOLTAGE
 COIL +Y1-COM 18-30 VDC
 COIL +X1-COM 18-30 VDC
 CONTACTS 115/200 VAC 400 HZ
 PICKUP VOLTAGE 18 V. MAX. AT 85C
 DROPOUT VOLTAGE 7, +0, -5.5 VDC
 CONTACT ARRANGEMENT TPDT NO
 CONTACT RATING
 RESISTIVE, MAX. INT. 600 AMP 70 AMP. A. C.
 INDUCTIVE 40 AMP. A. C.
 LAMP 10 AMP. A. C.
 MOTOR 20 AMP. A. C.
 CAPACITIVE 70 AMP. A. C.
 AUX. CONTACT RATING AT 28 VDC & 115 VAC, 400 HZ.
 RESISTIVE 5 AMP.
 INDUCTIVE 3 AMP.
 MOTOR 3 AMP.
 MAIN AND AUX. CONTACT OPERATING TIMES
 CLOSING 50 MS MAX. AT 18 VDC
 OPENING 35 MS MAX. AT 28 VDC
 TRANSFER 10 MS AT 30 VDC
 COIL CURRENT AT NOMINAL VOLTAGE
 HOLDING .35 AMP
 MIN. OPERATING CYCLES ELECTRICAL 50,000
 MAX. AMBIENT TEMPERATURE -40 to +71 F
 MAX. WEIGHT 1 LB. 8 OZ.



- NOTES:
1. TERMINAL ± TO BE STAMPED "DANGER-HIGH VOLTAGE"
 2. COIL TRANSIENT VOLTAGE LIMITED TO ±42 VOLTS REFERENCED TO ZERO VOLTS.
 3. STAMP OBSERVE POLARITY
 4. #11 TERMINAL HEIGHT IS .41

CONFIGURATION CONTROLLED

14	1	39529-001	OVERLAY		
13	9	51810-054	WASHER - LOCK NO. 10 SPLIT	MS35338-100	BRONZE
12	9	51808-064	WASHER - LOCK NO. 8 SPLIT	MS35338-99	BRONZE
11	2	51806-034	WASHER - LOCK NO. 6 INT. TOOTH	MS35333-88	BRONZE
10	9	51712-194	WASHER- 7/16 X .203 X .031	AN961-10	BRASS
9	9	51712-104	WASHER- 3/8 X 11/64 X .032	AN961-8	BRASS
8	2	51206-644	SCREW-6-32 X 3/4 RD. HD.	MS35214-29	BRASS
7	9	50410-174	NUT-10-32 X 5/16 X 9/64 HEX		BRASS
6	9	50408-034	NUT-8-32 X 5/16 X 3/32 HEX		BRASS
5	1	19390-060	CONTACTOR ASSEMBLY - PRIMARY		
4	1	16043-001	PLATE - NAME		
3	1	14994-003	PLATE - BASE COVER		
2	1	12771-001	PLATE - WARNING		
1	1	12531-006	SHIELD - TERMINAL		

FIND NO	QTY REQD	PART OR IDENTIFYING NO	NOMENCLATURE OR DESCRIPTION	FSCM NO	DRAWING OR SPECIFICATION	MATERIAL OR NOTE
---------	----------	------------------------	-----------------------------	---------	--------------------------	------------------

REF. SIKORSKY 70550-22901-102		DR BY BRI 93/10/27
UNLESS OTHERWISE SPECIFIED DIMENSIONS ARE IN INCHES TOLERANCES ON		CHK BY WS 93/10/28
2 PL DEC. 3 PL DEC. ANGLES ± .03 ± .010 ± 1°		ENGR WS 93/11/05
SCALE NONE SHEET		MFG JF 93/11/05
SIZE C		CODE IDENT 74063

TE
 Hartman Division 175 N. DIAMOND STREET MANSFIELD, OHIO 44902

CONTACTOR - T. P. D. T. N. O. 093

DWG NO. B-140AUH

REF TE P/N 1616043-8

Mouser Electronics

Authorized Distributor

Click to View Pricing, Inventory, Delivery & Lifecycle Information:

[TE Connectivity:](#)

[B140AUH](#)