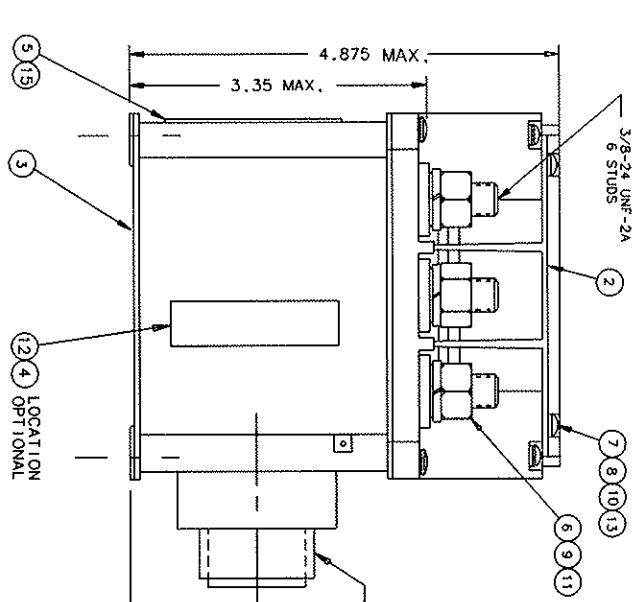
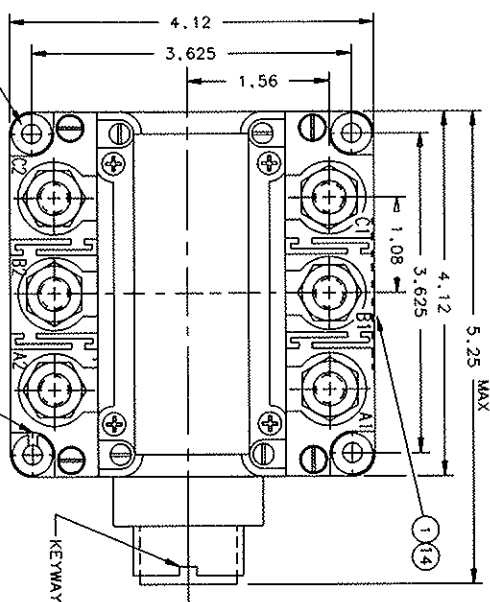


# FAA/PMA

B-429CA



CONSTRUCTION  
MAIN CONTACTS  
CONFIGURATION  
VOLTAGE  
CURRENT RES.  
IND. RUPTURE

\*AUXILIARY CONTACTS  
CONFIGURATION  
VOLTAGE  
CURRENT RES.  
IND. RUPTURE

COIL DATA  
DUTY CYCLE  
OPERATING VOLTAGE  
NOMINAL  
PICKUP MAX.  
DROPOUT  
INRUSH  
HOLD

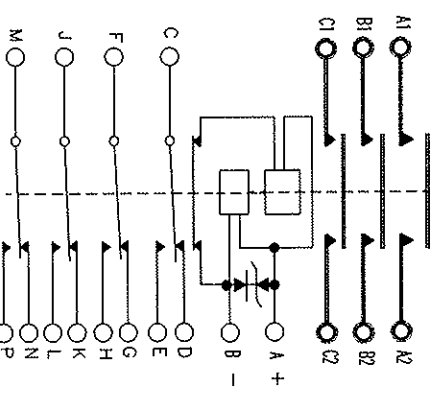
ENVIRONMENTAL DATA  
OPERATING TEMP.  
ALTITUDE  
LIFE ELECTRICAL  
LIFE MECHANICAL  
WEIGHT MAX. (EST)  
OPERATE TIMES AT 28 VDC AT 25°C

CONTINUOUS (POWER DOWN)  
28 VDC  
18 VDC  
1-7 VDC  
2.7 AMP  
.56 AMP

3PST N.O. (DOUBLE BREAK)  
120/208 VOLTS FREQ. 400 HZ  
350 AMP 115/200 VAC CONTINUOUS  
125 AMP  
3500 AMP

- NOTES:  
1. TERMINAL COVER ITEM NO. 2 REMOVED FROM TOP VIEW.  
2. ITEMS NO. 1 & 5 LOCATION OPTIONAL.  
3. MOUNTING SURFACE SHALL PROVIDE ELECTRICAL GROUND.  
4. THIS UNIT MEETS THE APPLICABLE PORTIONS OF MIL-R 6106

5. TRANSIENT VOLTAGE LIMITED TO 45 VOLTS MAX.  
\* 6. AUXS J,K,L & M,N,P. CURRENT .1 AMP RES OR IND AT 28 VDC  
7. DIODES TO BE JANITX 1000 PIV



REV	DESCRIPTION	DATE	APPROVED
D 24767	ADD ITEMS 14 & 15 ITEM 4 WAS 39529-001* ITEM 6 WAS *90407-143* ITEM 9 WAS 51704-024* ITEM 11 WAS *51802-023*	93/09/21	WS
E 29044	1.51/1.37 WAS 1.43	95/10/25	RS
F 35177	NOTE 6 WAS *RES .1 AMP AT 5V*	98/03/27	RS

ITEM NO.	QTY	PART OR IDENTIFYING NO.	NOMENCLATURE OR DESCRIPTION	FSOQ NO.	DRAWING OR SPECIFICATION	MATERIAL OR NOTE
15	1	39529-002	OVERLAY			MYLAR
14	1	39529-001	OVERLAY			MYLAR
13	4	51701-180	WASHER 3/16 X .103 X .015			BRASS
12	1	58400-117	PLATE-FAA/PMA			BRASS
11	6	51807-084	WASHER LOCK .575 .687 .094 S.P			BRASS
10	4	51804-021	WASHER LOCK NO. 4 INT.			BRASS
9	6	51704-024	WASHER 5/8 X 25/64 X .062 FLAT			STEEL
8	4	51701-291	WASHER .250 .113 .015 FLAT			STEEL
7	4	51204-391	SCREW 4-40 X 1/4 BD. HD.			STEEL
6	6	50407-164	NUI-3/8-24 X 5/8 X 7/32 HEX			BRASS
5	1	40820-002	PLATE-WIRING DIAGRAM			
4	1	39529-024	OVERLAY			
3	1	36813-040	CONTACTOR ASSEMBLY-PRIMARY			
2	2	35744-001	COVER-TERMINAL			
1	1	16043-001	PLATE-NAME			

UNLESS OTHERWISE SPECIFIED DIMENSIONS ARE IN INCHES TOLERANCES ARE:	DR BY	RS	98/04/13
.06	CHK BY	RS	98/04/13
.010	ENGR	WAL	98/04/13
	MFG	WAL	98/04/13
	RELEASE	WAL	98/04/13
	CONTR NO.		
	COVT APPVL		

REF: DOUGLAS MD-111  
HARTMAN ELECTRICAL MANUFACTURING MANSFIELD, OHIO  
CONTACTOR-3PST N.O.  
350 AMP 120/208V 400 HZ  
SIZE CODE IDENT DWG NO. C 74063 B-429CA  
SCALE NONE SHEET

# Mouser Electronics

Authorized Distributor

Click to View Pricing, Inventory, Delivery & Lifecycle Information:

[TE Connectivity:](#)

[B429CA](#)