

### SAFETY ORGANIZATIONS

THIS FILTER HAS BEEN FORMALLY RECOGNIZED, CERTIFIED OR APPROVED BY THE LISTED AGENCY. THEREFORE, ALL TEST/REQUIREMENTS SPECIFIED IN THE LATEST REVISION OF THE FOLLOWING AGENCY STANDARDS HAVE BEEN MET:

CSA CERTIFIED: CSA 22.2, # 8  
VDE APPROVED: ENG0939-2

### OPERATING SPECIFICATIONS

LINE CURRENT/VOLTAGE: 15 AMP, 120/250 VAC,  
10 AMP/40°C, 250 VAC

LINE FREQUENCY: 50-60Hz

MAXIMUM LEAKAGE CURRENT,  
EACH LINE TO GROUND:  
2 μA @ 120V 60Hz  
5 μA @ 250V 50Hz

OPERATING AMBIENT TEMP. RANGE: -10°C TO +40°C @ RATED CURRENT, I<sub>r</sub>.

IN AN AMBIENT, T<sub>0</sub>, HIGHER THAN 40°C, THE MAXIMUM OPERATING CURRENT, I<sub>0</sub>, IS AS FOLLOWS:

$$I_0 = I_r \sqrt{\frac{100 - T_0}{60}}$$

### RELIABILITY SPECIFICATIONS:

STORAGE TEMPERATURE: -40°C TO +85°C  
HUMIDITY: 21 DAYS @ 40°C 95% RH.  
CURRENT OVERLOAD TEST: 6 TIMES I<sub>r</sub> FOR  
8 SECONDS

### TEST SPECIFICATIONS:

INDUCTANCE: 0.13 mH NOMINAL  
CAPACITANCE: (MEASURED @ 1KHz, 0.250VAC MAX., 25°C±1°C)  
LINE TO GROUND: NONE  
LINE TO LINE: 0.009 μF±20%  
DISCHARGE RESISTOR: 1.5 MΩ  
L/G AND L/L I.R.  
NO DISCHARGE RESISTOR: 6000MΩ (MIN.) @ 100VDC,  
20°C AND 50% RH

### RECOMMENDED RECEIVING INSPECTION HIPOT:

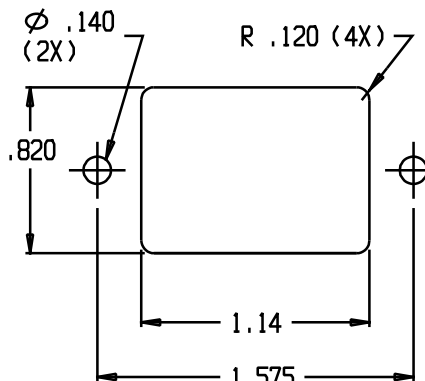
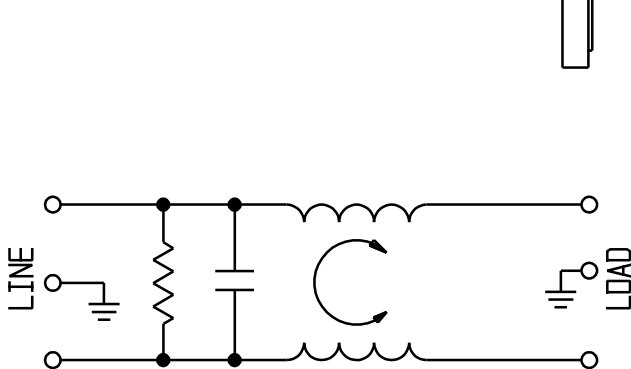
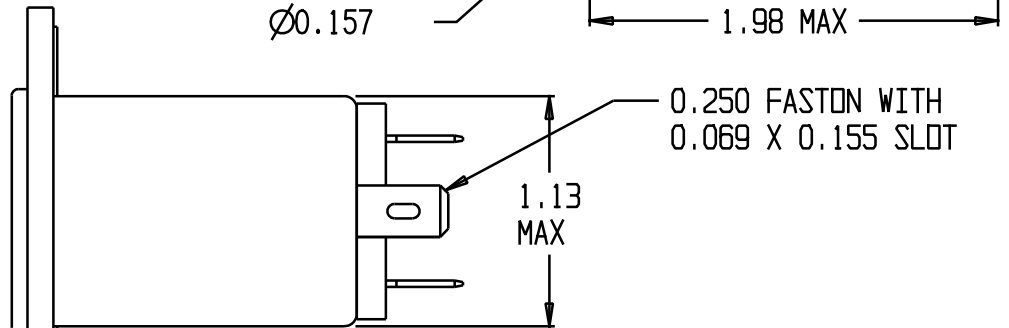
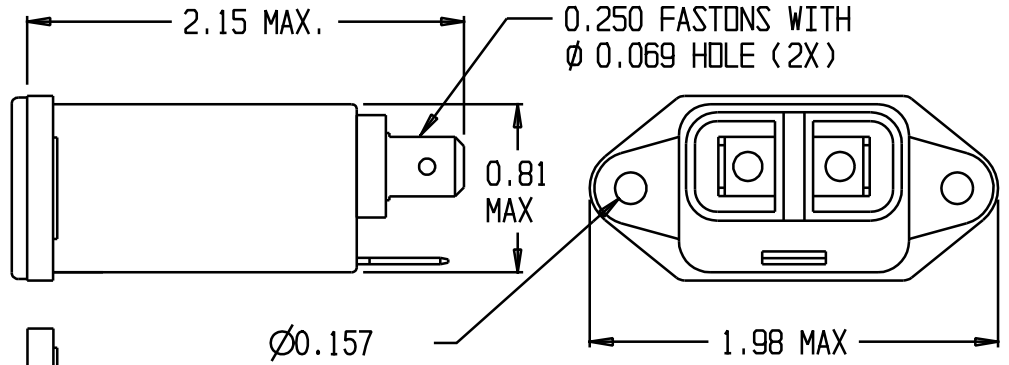
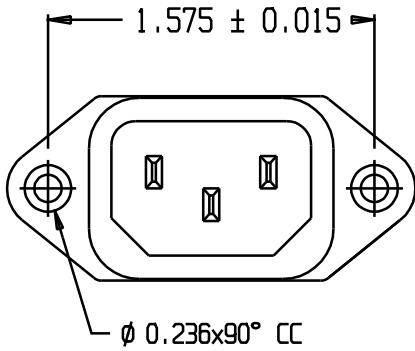
LINE TO GROUND: 1500VAC OR 2250VDC FOR 1 MINUTE  
LINE TO LINE: 1450VDC FOR 1 MINUTE

### FILTER APPROVAL:

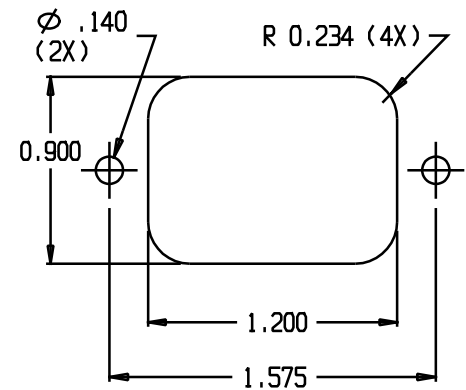
THE BEST WAY TO SELECT AND QUALIFY A FILTER IS FOR YOUR ENGINEERING TO TEST THE UNIT IN YOUR EQUIPMENT.

### CATALOG # 15EAH1

ECN #	APPRVD.	DATE
	PJD	13JUL11



PANEL CUTOUT (FRONT MOUNT)  
TOLERANCE ±.005

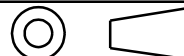


PANEL CUTOUT (BACK MOUNT)  
TOLERANCE ±.005

### 50Ω - 50Ω (MINIMUM) INSERTION LOSS

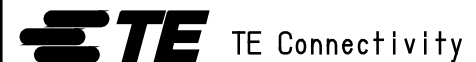
FREQUENCY MHz	.05	.10	.15	.50	1	3	5	10	30
COMMON dB			1	3	4	-	5	6	6
DIFF. dB					6	12	15	22	27

THIRD ANGLE PROJECTION



UNLESS OTHERWISE SPECIFIED,  
TOLERANCE TO BE ±.025  
MATERIAL & FINISH: AS SUPPLIED

THIS INFORMATION IS CONFIDENTIAL AND PROPRIETARY TO TYCO ELECTRONICS CORPORATION AND ITS WORLDWIDE SUBSIDIARIES AND AFFILIATES. IT MAY NOT BE DISCLOSED TO ANYONE OTHER THAN TYCO ELECTRONICS PERSONNEL, WITHOUT WRITTEN AUTHORIZATION FROM TYCO ELECTRONICS CORPORATION.  
HARRISBURG, PENNSYLVANIA USA



### CUSTOMER DRAWING 15EAH1

TYCO ELECTRONICS PART NO. 6609002-6		REV. B
SCALE: NTS	DATE: 01DEC08	CATALOG NO. 15EAH1
DRW. BY: PJD	DRG: PJD	

# Mouser Electronics

Authorized Distributor

Click to View Pricing, Inventory, Delivery & Lifecycle Information:

[TE Connectivity:](#)

[15EAH1](#)