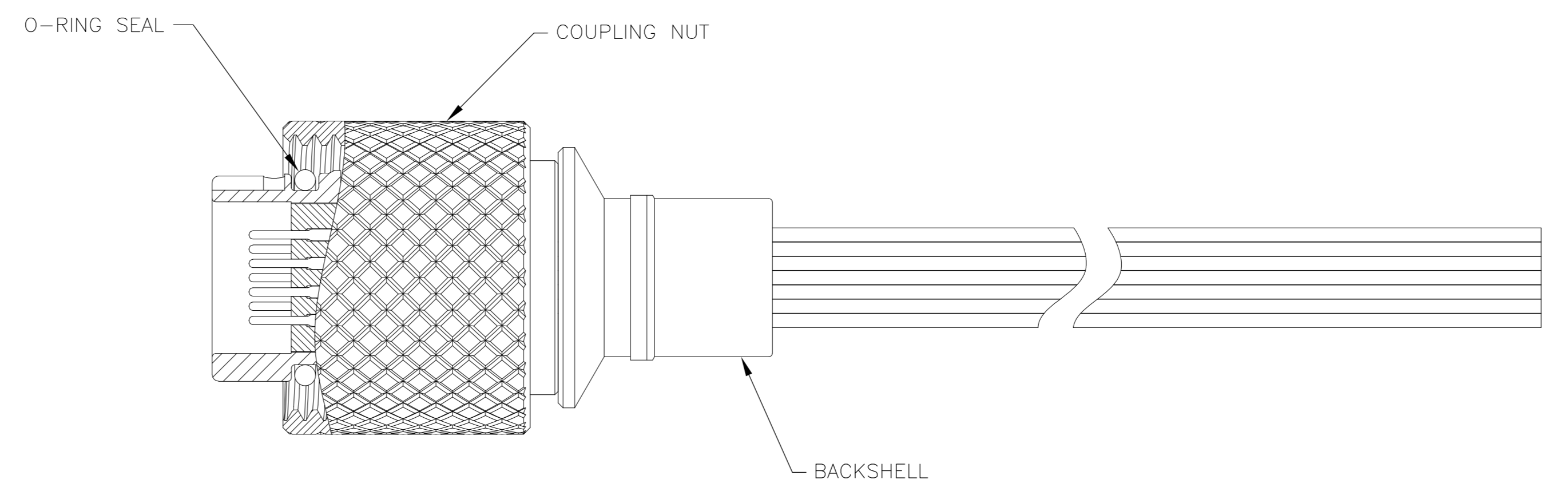
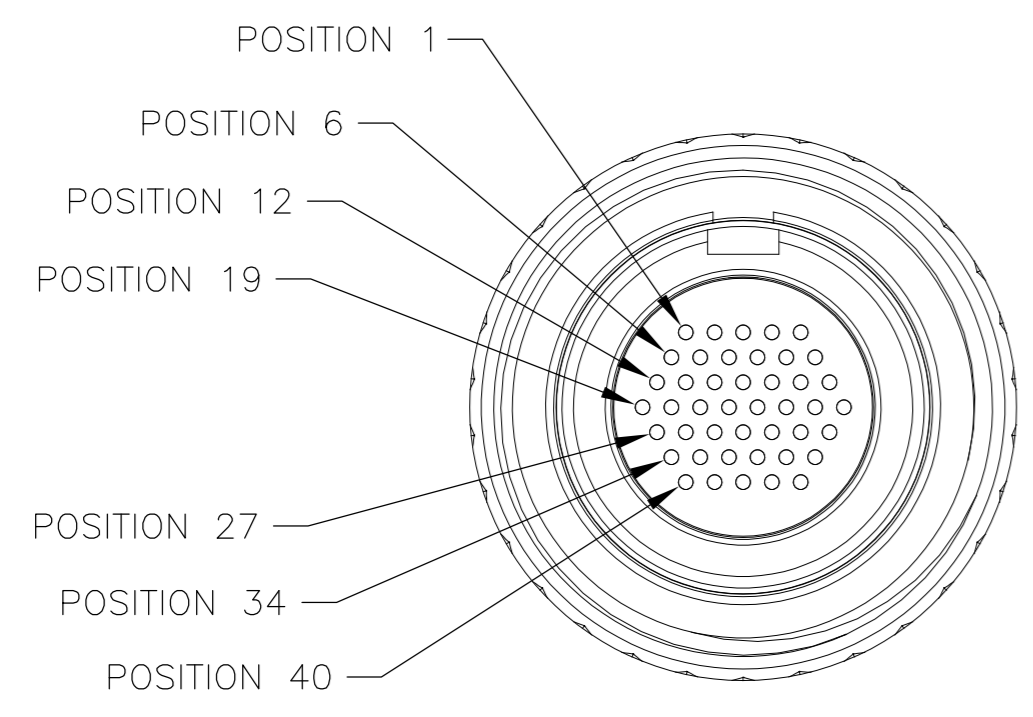
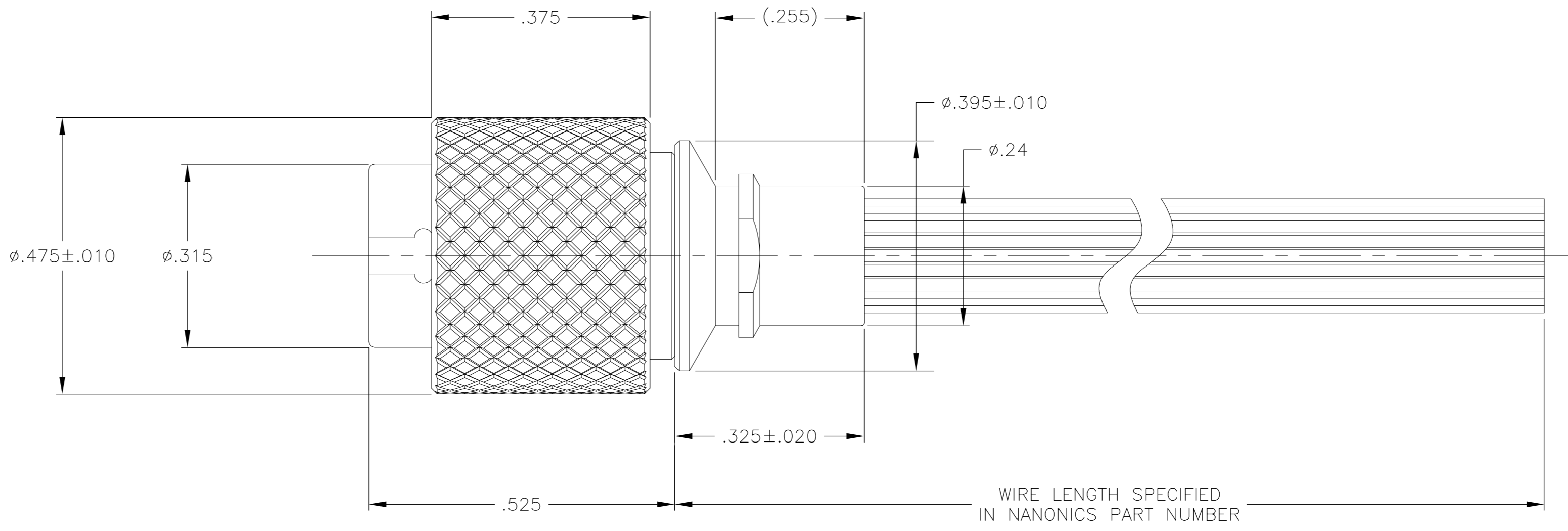


THIS DRAWING IS UNPUBLISHED. RELEASED FOR PUBLICATION  
 © COPYRIGHT - By - ALL RIGHTS RESERVED.

| LOC |     | DIST                     |  | REVISIONS |     |      |  |
|-----|-----|--------------------------|--|-----------|-----|------|--|
| P   | LTR | DESCRIPTION              |  | DATE      | DWN | APVD |  |
|     | F   | UPDATE PER ECO-11-013272 |  | 28 JUN 11 | CAS | MKS  |  |



- 1 CONNECTOR BODY, COUPLING NUT & BACKSHELL MATERIAL: 6061-T6 ALUMINUM, ELECTROLESS NICKEL PLATED PER SAE-AMS-C-26074 OR SAE-AMS-2404E  
 LOCKING RING MATERIAL: BERYLLIUM COPPER, ELECTROLESS NICKEL PLATED PER SAE-AMS-C-26074 OR SAE-AMS-2404E  
 INSULATOR MATERIAL: LIQUID CRYSTAL POLYMER (LCP) PER ASTM D5138 OR POLYPHENYLENE SULFIDE (PPS) PER ASTM D4067  
 O-RING MATERIAL: FLUOROSILICONE
- 2 WIRE TERMINATION: 28 AWG SOLID, 30 AWG STRANDED WIRE OR SMALLER
- 3 BONDING RESISTANCE BETWEEN CONNECTOR BODY AND BACKSHELL TO BE 25 MILLIOHMS MAXIMUM. BACKSHELL TO BE BONDED TO PLUG SHELL WITH CONDUCTIVE EPOXY.
- 4 LUBRICATE O-RING WITH PARKER SUPER-O-LUBE PRIOR TO INSTALLATION
- 5 THIS DRAWING ALSO IDENTIFIED AS NANONICS 303-0092

|  |  |  |  |               |
|--|--|--|--|---------------|
| THIS DRAWING IS A CONTROLLED DOCUMENT.   |  | DWN<br>C. SCHOLL<br>11 JUN 01  |  |               |
| DIMENSIONS:<br>INCHES  |  | CHK<br>M. STORRY<br>13 JUN 01  |  |               |
| TOLERANCES UNLESS OTHERWISE SPECIFIED:   |  | NAME   |  |               |
| 0 PLC ± -<br>1 PLC ± -<br>2 PLC ± .010<br>3 PLC ± .005<br>4 PLC ± -<br>ANGLES ± 1° |  | PLUG ASSEMBLY,<br>CIRCULAR, THREADED COUPLING,<br>STRAIGHT BACKSHELL, METAL, 44 POSITION |  |               |
| MATERIAL<br>SEE NOTES  |  | FINISH<br>SEE NOTES  |  | RESTRICTED TO |
| WEIGHT   |  | SCALE 6:1  |  | SHEET 1 OF 1  |
| CUSTOMER DRAWING   |  | REV F  |  |               |

# Mouser Electronics

Authorized Distributor

Click to View Pricing, Inventory, Delivery & Lifecycle Information:

[TE Connectivity:](#)

[TCM044PC2DC202B](#)