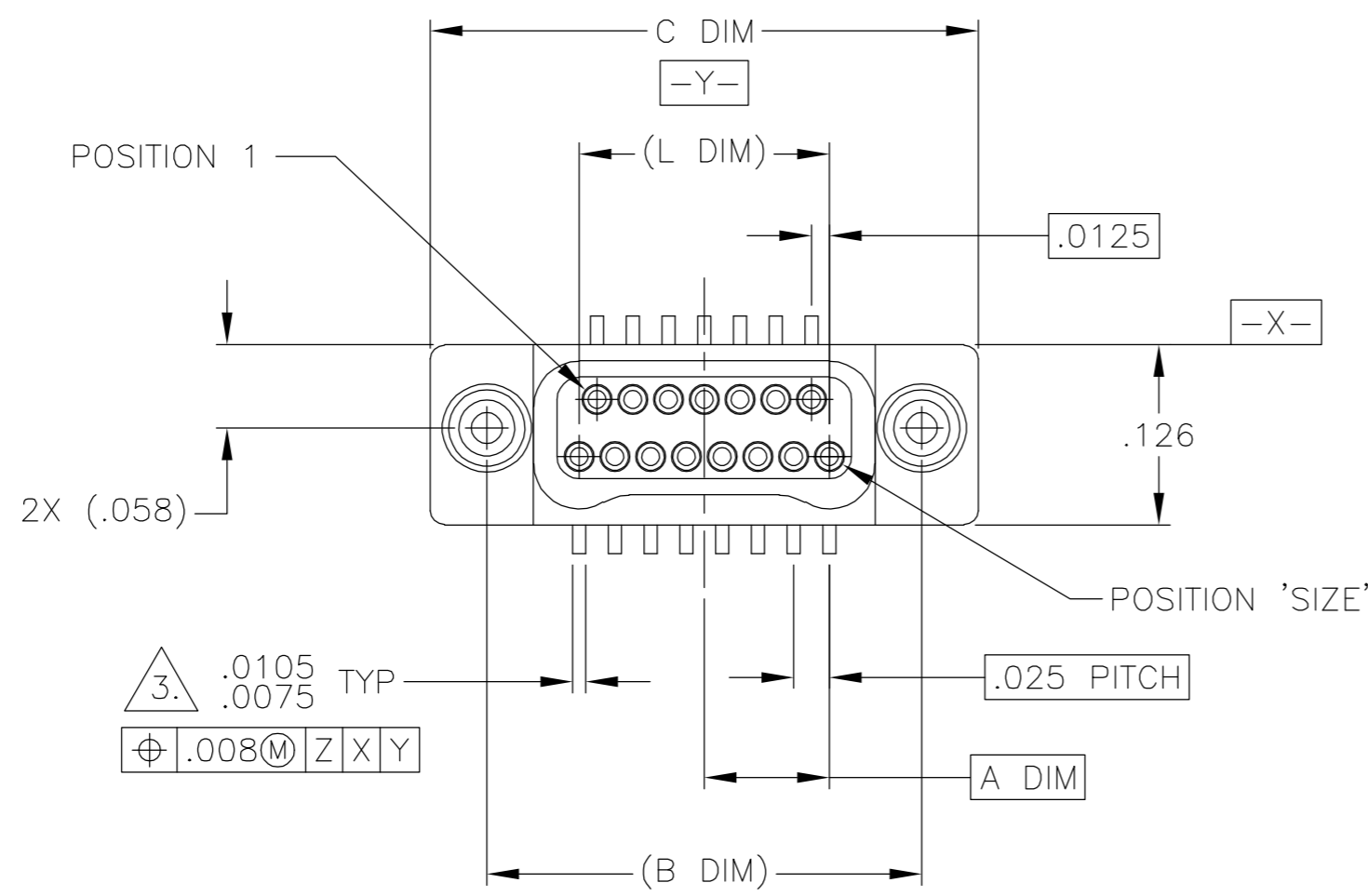
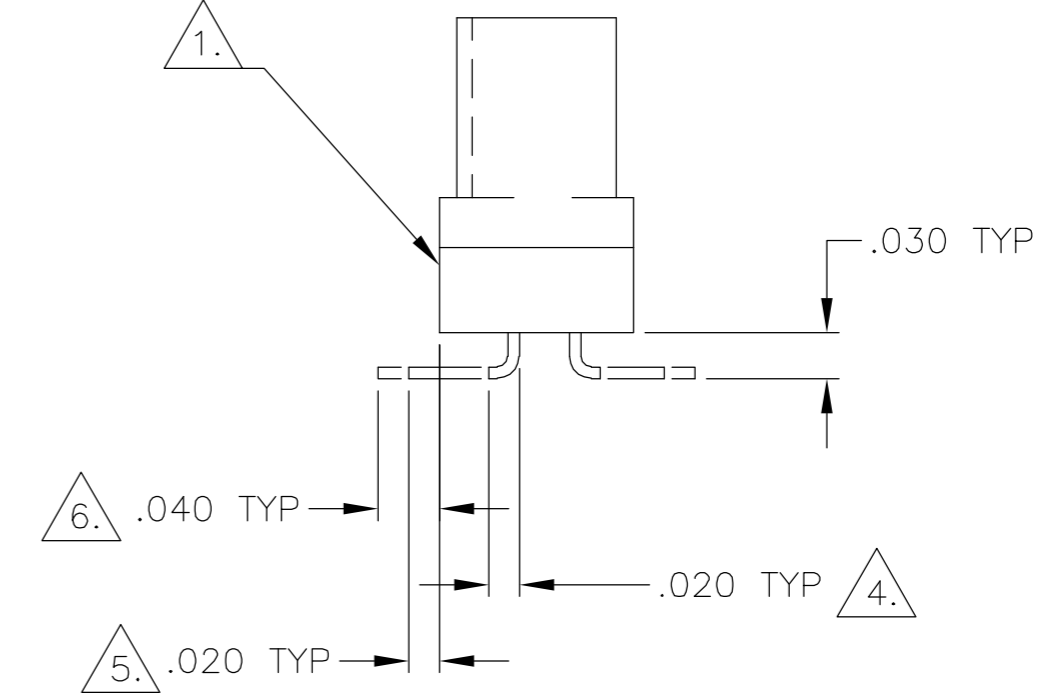
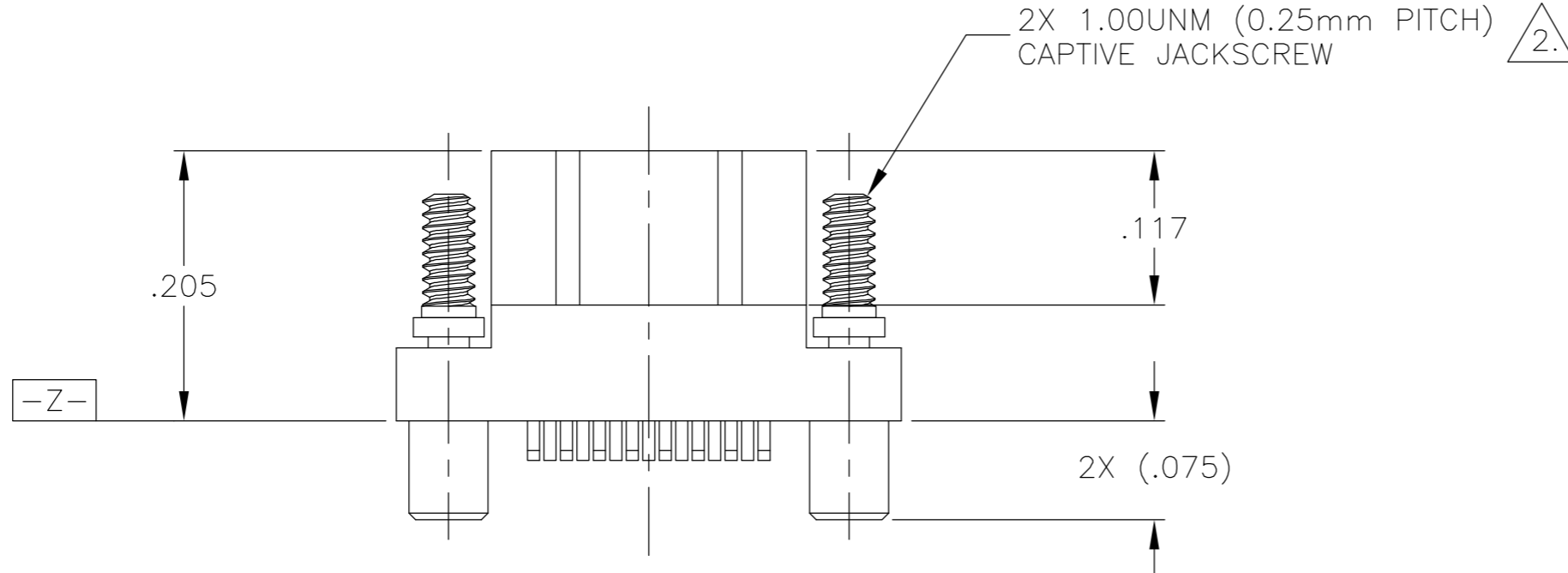


THIS DRAWING IS UNPUBLISHED. RELEASED FOR PUBLICATION  
 © COPYRIGHT BY TYCO ELECTRONICS CORPORATION. ALL RIGHTS RESERVED.

| LOC | DIST | REVISIONS |     |                         |           |     |      |
|-----|------|-----------|-----|-------------------------|-----------|-----|------|
| DF  | D0   | P         | LTR | DESCRIPTION             | DATE      | DWN | APVD |
|     |      | F         |     | UPDATE PER 0H2Y-0164-04 | 12 MAY 04 | CAS | MKS  |



| SIZE | A DIM | (B DIM) | C DIM<br>±.0050 | (L DIM) |
|------|-------|---------|-----------------|---------|
| 09   | .050  | (.229)  | .3085           | (.100)  |
| 15   | .0875 | (.304)  | .3835           | (.175)  |
| 25   | .150  | (.429)  | .5085           | (.300)  |
| 37   | .225  | (.579)  | .6585           | (.450)  |
| 51   | .3125 | (.754)  | .8335           | (.625)  |
| 65   | .400  | (.929)  | 1.0085          | (.800)  |



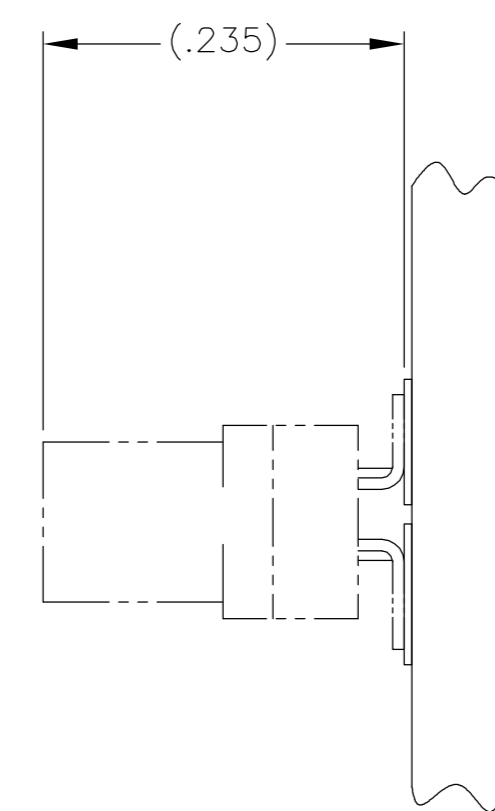
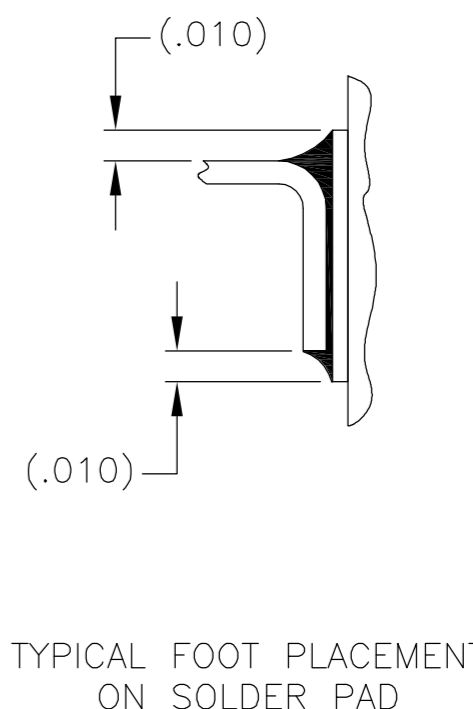
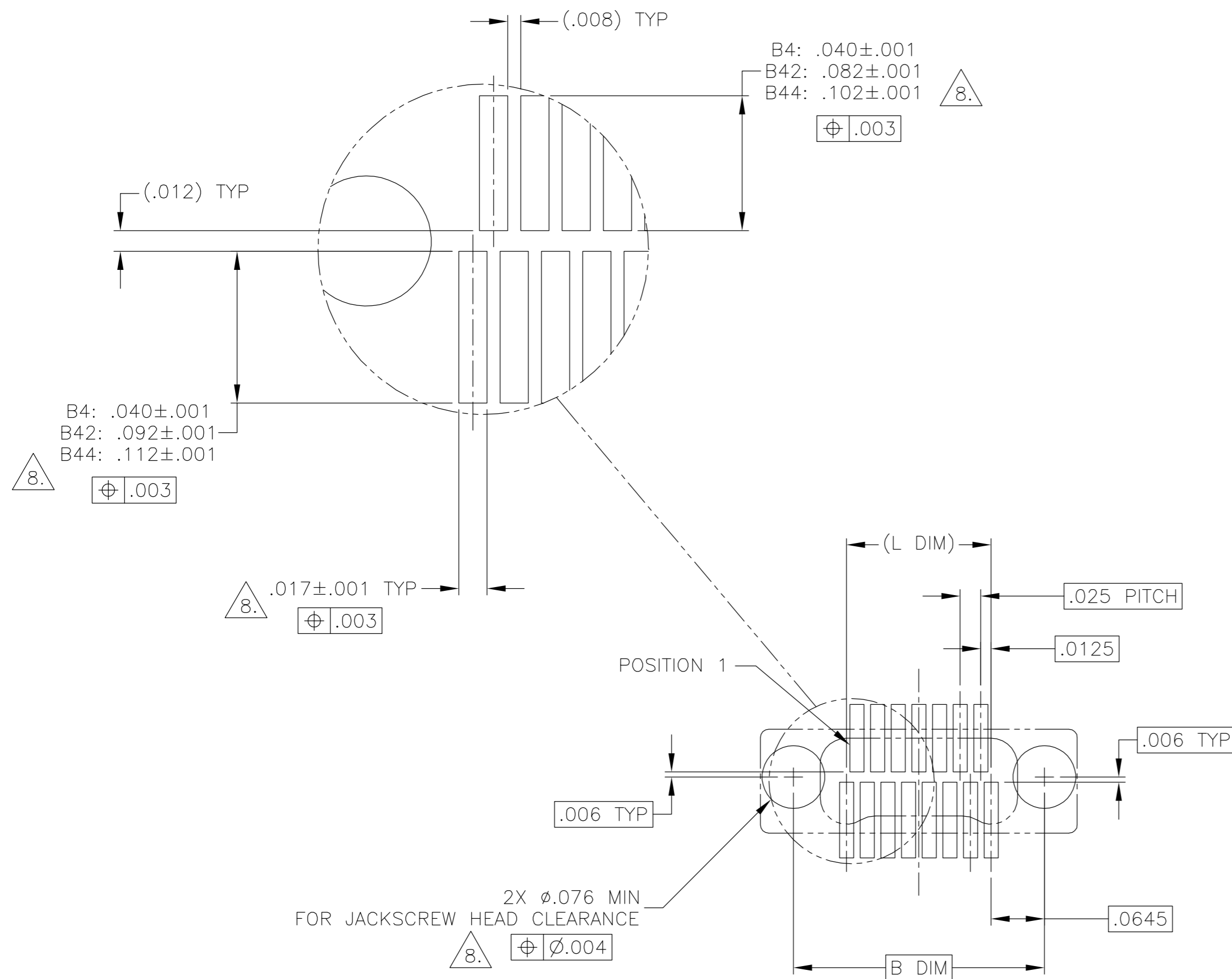
JACKSCREWS REMOVED FOR CLARITY

- 1. SHELL OPTIONS (TO BE SPECIFIED IN NANONICS PART NUMBER):  
 METAL: 6061-T6 ALUMINUM, ELECTROLESS NICKEL PLATED PER MIL-C-26074 (STANDARD) OR GOLD PLATED PER MIL-G-45204  
 303 STAINLESS STEEL, PASSIVATED PER SAE-AMS-QQ-P-35  
 INSULATOR MATERIAL FOR ALL METAL SHELLS IS LIQUID CRYSTAL POLYMER (LCP) PER MIL-M-24519 OR PER ASTM D5138  
 PLASTIC: LIQUID CRYSTAL POLYMER (LCP) PER MIL-M-24519 OR PER ASTM D5138
- 2. STANDARD 1.00UNM CAPTIVE JACKSCREWS ARE SHOWN FOR REFERENCE ONLY AND MUST BE SPECIFIED IN THE NANONICS PART NUMBER WHEN REQUIRED. JACKSCREW MATERIAL IS 303 STAINLESS STEEL, PASSIVATED PER SAE-AMS-QQ-P-35, AND DRY LUBED PER DOD-L-85645. RETAINING RING IS 17-4 STAINLESS STEEL, PASSIVATED PER SAE-AMS-QQ-P-35. JACKSCREWS HAVE A .9mm HEX SOCKET HEAD. 1.20UNM JACKSCREWS ALSO AVAILABLE.
- 3. SMT LEADS ARE BeCu, TIN LEAD PLATED 60/40 COMPOSITION PER SAE-AMS-P-81728.
- 4. NANONICS TERMINATION CODE: B4    5. NANONICS TERMINATION CODE: B42    6. NANONICS TERMINATION CODE: B44
- 7. THIS DRAWING PREVIOUSLY IDENTIFIED AS NANONICS N10138/242

|  |  |                  |          |   |               |
|--|--|------------------|----------|---|---------------|
| THIS DRAWING IS A CONTROLLED DOCUMENT. |  | DWN<br>M. STORRY | 2 MAR 01 | Tyco Electronics Corporation<br>Harrisburg, PA 17105                      |               |
| DIMENSIONS:<br>INCHES                  | TOLERANCES UNLESS OTHERWISE SPECIFIED: | CHK              | -        | NAME  |               |
|  | 0 PLC ± -                              | APVD             | -        | PLUG ASSEMBLY, VERTICAL SURFACE MOUNT, TWO ROW DUALLOBE, PLASTIC OR METAL |               |
|  | 1 PLC ± -                              | PRODUCT SPEC     | -        | SIZE  | CAGE CODE     |
|  | 2 PLC ± .010                           | APPLICATION SPEC | -        | A2  | 00779         |
|  | 3 PLC ± .005                           |                  |          | DRAWING NO  | RESTRICTED TO |
|  | 4 PLC ± -                              |                  |          | C=1589485   | -             |
|  | ANGLES ± 1                             | WEIGHT           | -        | SCALE   | SHEET         |
| MATERIAL<br>SEE NOTES                  | FINISH<br>SEE NOTES                    | CUSTOMER DRAWING | 8:1      | 1   | 2             |
|  |  |                  |          | REV   | F             |

THIS DRAWING IS UNPUBLISHED. RELEASED FOR PUBLICATION  
 © COPYRIGHT BY TYCO ELECTRONICS CORPORATION. ALL RIGHTS RESERVED.

| LOC |     | DIST        |  | REVISIONS               |           |      |     |
|-----|-----|-------------|--|-------------------------|-----------|------|-----|
| P   | LTR | DESCRIPTION |  | DATE                    | DWN       | APVD |     |
| DF  | DO  | F           |  | UPDATE PER 0H2Y-0164-04 | 12 MAY 04 | CAS  | MKS |



SIZE 15 SHOWN FOR REFERENCE

TYPICAL PCB LAYOUT

8. POSITIONAL TOLERANCES FOR BASIC DIMENSIONED FEATURES ARE RELATIVE TO FIDUCIALS OR SOME SIMILAR DATUM REFERENCE DEFINED BY THE PCB DESIGNER.

|  |  |                  |   |  |            |
|--|--|------------------|---|--|------------|
| THIS DRAWING IS A CONTROLLED DOCUMENT. |  | DWN<br>M. STORRY | 2 MAR 01  | Tyco Electronics Corporation<br>Harrisburg, PA 17105 |            |
| DIMENSIONS:<br>INCHES                  | TOLERANCES UNLESS OTHERWISE SPECIFIED: | CHK<br>-         | APVD<br>-   | NAME   |            |
|  | 0 PLC ± -                              | PRODUCT SPEC     | PLUG ASSEMBLY, VERTICAL SURFACE MOUNT, TWO ROW DUALLOBE, PLASTIC OR METAL |  |            |
|  | 1 PLC ± -                              | APPLICATION SPEC | SIZE  | CAGE CODE  | DRAWING NO |
|  | 2 PLC ± -                              |                  | A2  | 00779  | C=1589485  |
|  | 3 PLC ± -                              |                  | WEIGHT  | RESTRICTED TO  |            |
| MATERIAL                               | FINISH                                 | CUSTOMER DRAWING | SCALE   | SHEET  | REV        |
| -                                      | -                                      |                  | 8:1   | 2 OF 2   | F          |

1589485

# Mouser Electronics

Authorized Distributor

Click to View Pricing, Inventory, Delivery & Lifecycle Information:

[TE Connectivity:](#)

[STL025B44M](#)