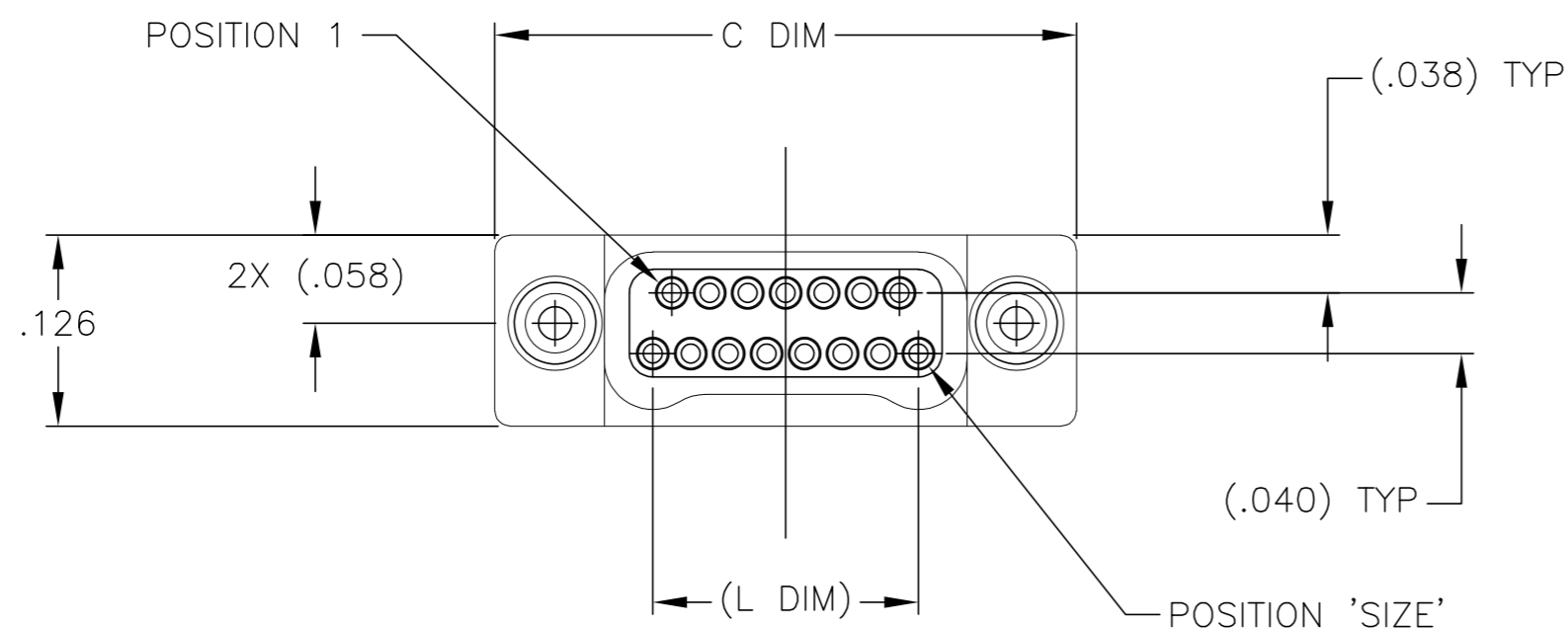
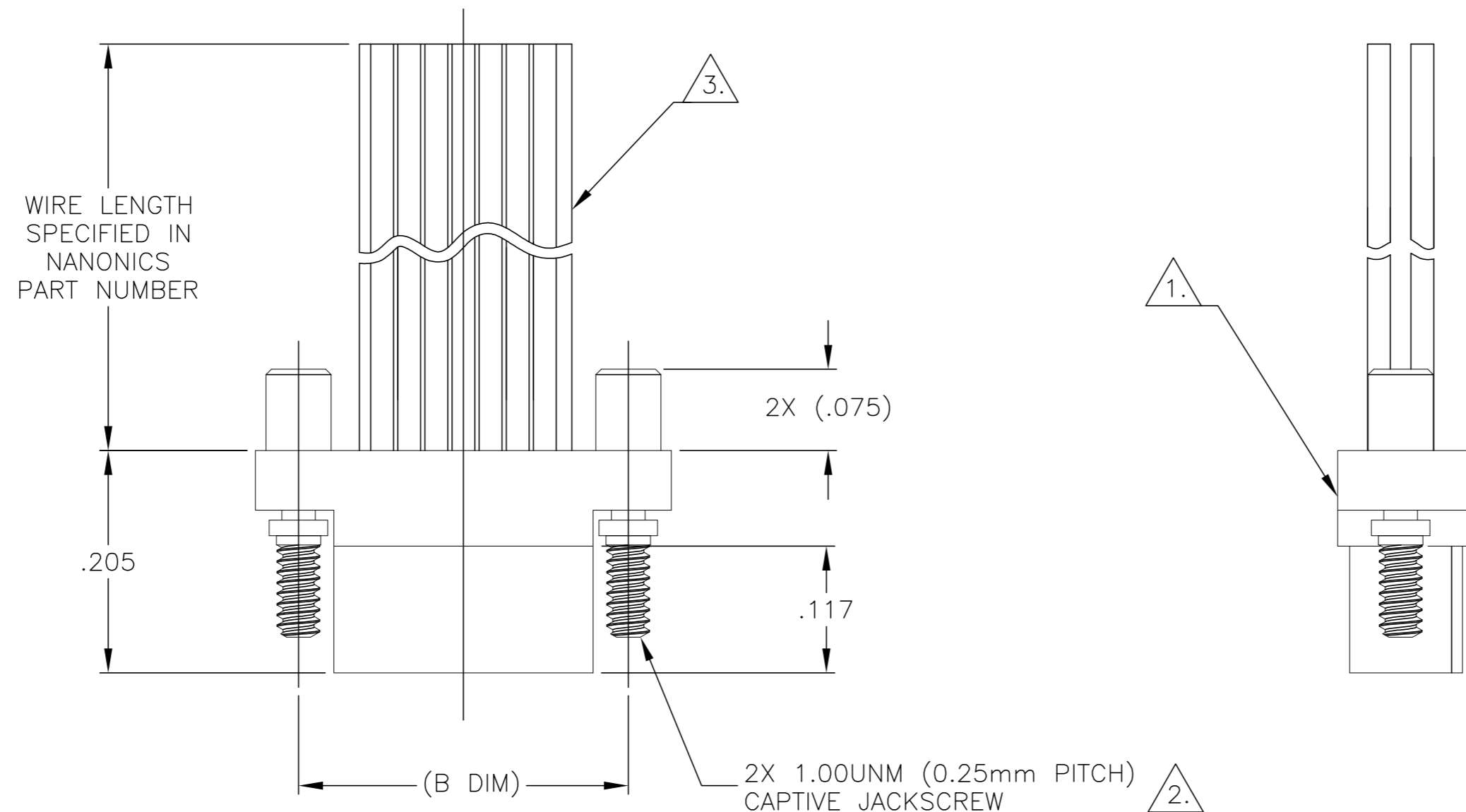


THIS DRAWING IS UNPUBLISHED. RELEASED FOR PUBLICATION  
 © COPYRIGHT - By - ALL RIGHTS RESERVED.

| LOC |     | DIST                      |         | REVISIONS |      |  |  |
|-----|-----|---------------------------|---------|-----------|------|--|--|
| P   | LTR | DESCRIPTION               | DATE    | DWN       | APVD |  |  |
|     | R1  | REVISED PER ECO-11-005139 | 21MAR11 | RK        | HMR  |  |  |



| SIZE | (B DIM) | C DIM<br>±.0050 | (L DIM) |
|------|---------|-----------------|---------|
| 09   | (.229)  | .3085           | (.100)  |
| 15   | (.304)  | .3835           | (.175)  |
| 25   | (.429)  | .5085           | (.300)  |
| 37   | (.579)  | .6585           | (.450)  |
| 51   | (.754)  | .8335           | (.625)  |
| 65   | (.929)  | 1.0085          | (.800)  |

1. SHELL OPTIONS (TO BE SPECIFIED IN NANONICS PART NUMBER):  
 METAL: 6061-T6 ALUMINUM, ELECTROLESS NICKEL PLATED PER MIL-C-26074 (STANDARD) OR GOLD PLATED PER MIL-G-45204  
 303 STAINLESS STEEL, PASSIVATED PER SAE-AMS-QQ-P-35  
 INSULATOR MATERIAL FOR ALL METAL SHELLS IS LIQUID CRYSTAL POLYMER (LCP) PER MIL-M-24519 OR PER ASTM D5138  
 PLASTIC: LIQUID CRYSTAL POLYMER (LCP) PER MIL-M-24519 OR PER ASTM D5138

2. STANDARD 1.00UNM CAPTIVE JACKSCREWS ARE SHOWN FOR REFERENCE ONLY AND MUST BE SPECIFIED IN THE NANONICS PART NUMBER WHEN REQUIRED. JACKSCREW MATERIAL IS 303 STAINLESS STEEL, PASSIVATED PER SAE-AMS-QQ-P-35, AND DRY LUBED PER DOD-L-85645. RETAINING RING IS 17-4 STAINLESS STEEL, PASSIVATED PER SAE-AMS-QQ-P-35. JACKSCREWS HAVE A .9mm HEX SOCKET HEAD. 1.20UNM JACKSCREWS ALSO AVAILABLE.

3. THIS CONFIGURATION MAY BE TERMINATED WITH 28 AWG SOLID, 30 AWG STRANDED OR SMALLER WIRE, OR RIBBON CABLE. CONDUCTOR TYPE AND LENGTH MUST BE SPECIFIED IN NANONICS PART NUMBER.

4. THIS DRAWING PREVIOUSLY IDENTIFIED AS NANONICS N10138/201

|  |   |                               |  |                         |       |   |   |       |   |      |       |   |      |       |   |   |        |  |      |                   |            |                    |
|--|---|-------------------------------|--|-------------------------|-------|---|---|-------|---|------|-------|---|------|-------|---|---|--------|--|------|-------------------|------------|--------------------|
| THIS DRAWING IS A CONTROLLED DOCUMENT.   |   | DWN<br>D. RYAN<br>21 APR 92   |  |                         |       |   |   |       |   |      |       |   |      |       |   |   |        |  |      |                   |            |                    |
| DIMENSIONS:<br>INCHES  |   | CHK<br>E. PAULUS<br>15 MAY 98 |  |                         |       |   |   |       |   |      |       |   |      |       |   |   |        |  |      |                   |            |                    |
| TOLERANCES UNLESS OTHERWISE SPECIFIED:   |   | APVD<br>M. STORRY<br>5 APR 01 | NAME<br>PLUG ASSEMBLY, FLYING LEADS,<br>TWO ROW DUALOBE,<br>PLASTIC OR METAL |                         |       |   |   |       |   |      |       |   |      |       |   |   |        |  |      |                   |            |                    |
| <table border="1"> <tr><td>0 PLC</td><td>±</td><td>-</td></tr> <tr><td>1 PLC</td><td>±</td><td>-</td></tr> <tr><td>2 PLC</td><td>±</td><td>.010</td></tr> <tr><td>3 PLC</td><td>±</td><td>.005</td></tr> <tr><td>4 PLC</td><td>±</td><td>-</td></tr> <tr><td>ANGLES</td><td></td><td>± 1°</td></tr> </table> |   | 0 PLC                         | ±  | -                       | 1 PLC | ± | - | 2 PLC | ± | .010 | 3 PLC | ± | .005 | 4 PLC | ± | - | ANGLES |  | ± 1° | PRODUCT SPEC<br>- | SIZE<br>A2 | CAGE CODE<br>00779 |
| 0 PLC  | ± | -                             |  |                         |       |   |   |       |   |      |       |   |      |       |   |   |        |  |      |                   |            |                    |
| 1 PLC  | ± | -                             |  |                         |       |   |   |       |   |      |       |   |      |       |   |   |        |  |      |                   |            |                    |
| 2 PLC  | ± | .010                          |  |                         |       |   |   |       |   |      |       |   |      |       |   |   |        |  |      |                   |            |                    |
| 3 PLC  | ± | .005                          |  |                         |       |   |   |       |   |      |       |   |      |       |   |   |        |  |      |                   |            |                    |
| 4 PLC  | ± | -                             |  |                         |       |   |   |       |   |      |       |   |      |       |   |   |        |  |      |                   |            |                    |
| ANGLES   |   | ± 1°                          |  |                         |       |   |   |       |   |      |       |   |      |       |   |   |        |  |      |                   |            |                    |
| MATERIAL<br>SEE NOTES  |   | FINISH<br>SEE NOTES           | WEIGHT<br>-  | DRAWING NO<br>C=1589472 |       |   |   |       |   |      |       |   |      |       |   |   |        |  |      |                   |            |                    |
|  |   | CUSTOMER DRAWING              | SCALE<br>8:1   | SHEET<br>1 of 1         |       |   |   |       |   |      |       |   |      |       |   |   |        |  |      |                   |            |                    |
|  |   |                               | RESTRICTED TO<br>-   | REV<br>R1               |       |   |   |       |   |      |       |   |      |       |   |   |        |  |      |                   |            |                    |

# Mouser Electronics

Authorized Distributor

Click to View Pricing, Inventory, Delivery & Lifecycle Information:

[TE Connectivity:](#)

[STM037PC2DN036M](#)