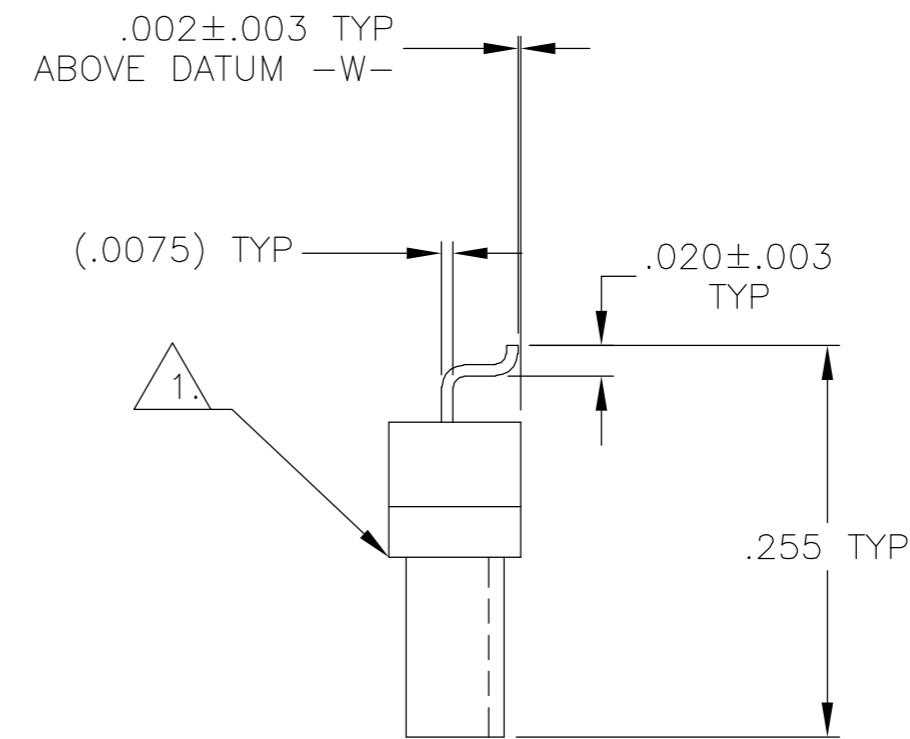
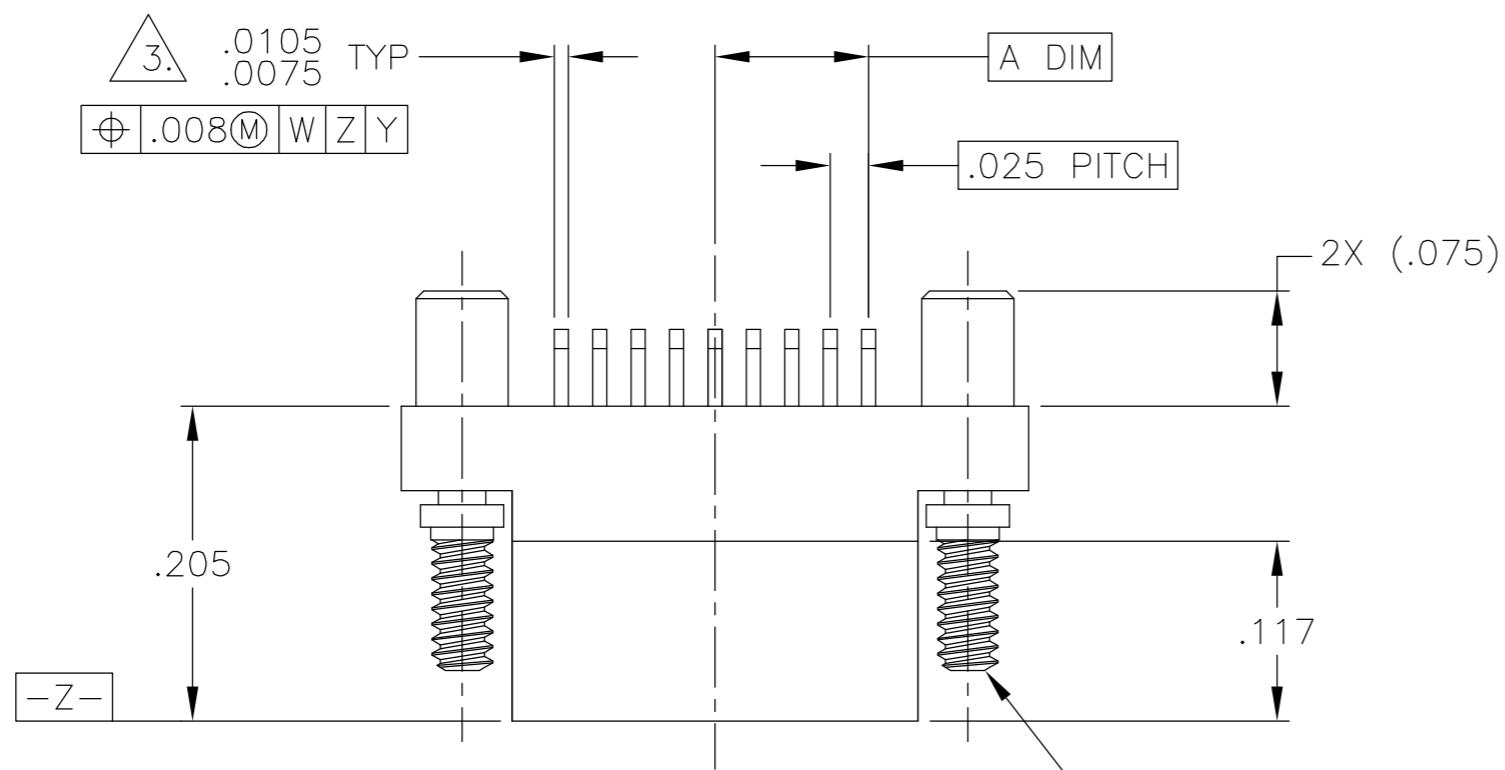


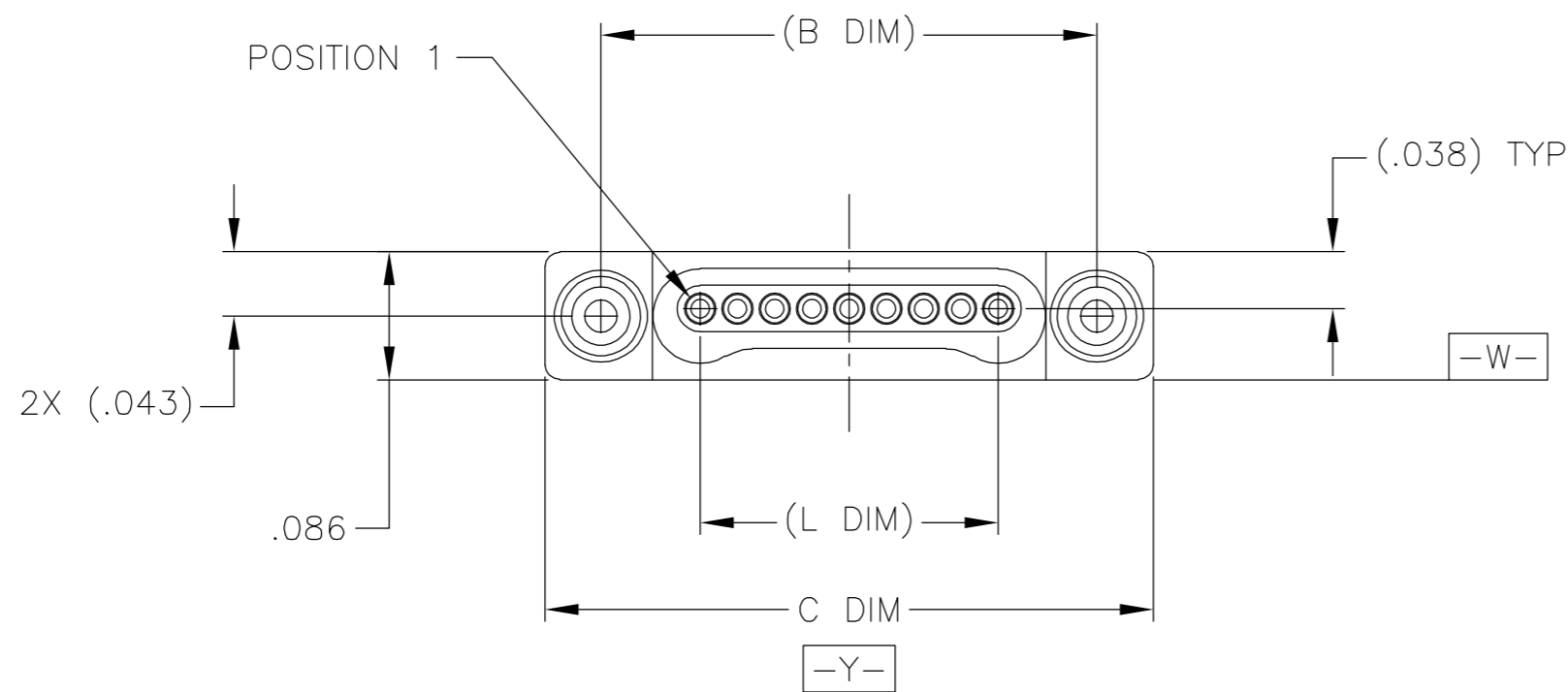
THIS DRAWING IS UNPUBLISHED. RELEASED FOR PUBLICATION
 © COPYRIGHT BY TYCO ELECTRONICS CORPORATION. ALL RIGHTS RESERVED.

LOC		DIST		REVISIONS			
P	LTR	DATE	DWN	APVD			
DF	DO						
	J	UPDATE PER 0H2Y-0164-04	05-12-04	JDM	MKS		



2X 1.00UNM (0.25mm PITCH) CAPTIVE JACKSCREW

JACKSCREW HEADS REMOVED FOR CLARITY



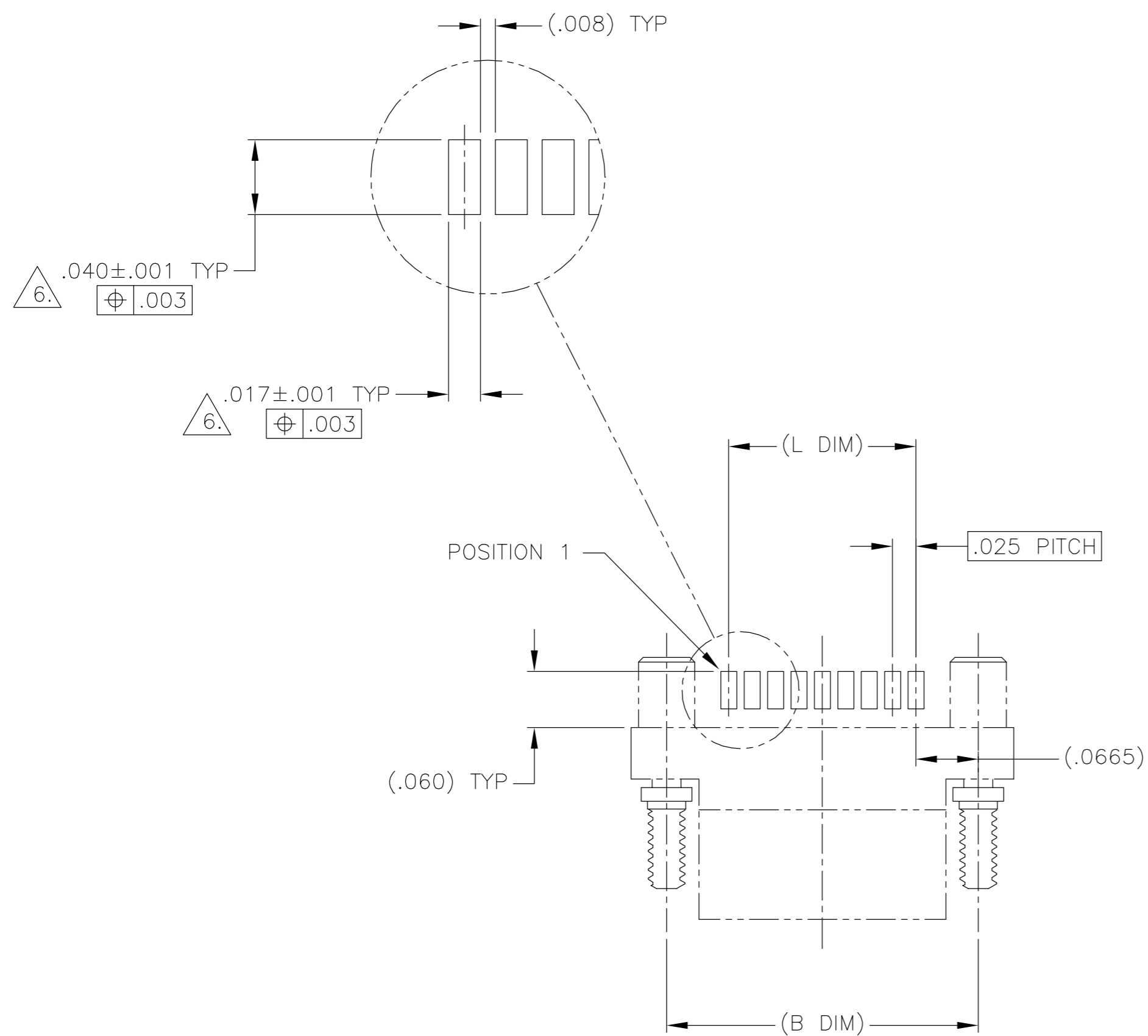
SIZE	A DIM	(B DIM)	C DIM ±.0050	(L DIM)
05	.050	(.233)	.3085	(.100)
09	.100	(.333)	.4085	(.200)
15	.175	(.483)	.5585	(.350)
25	.300	(.733)	.8085	(.600)
37	.450	(1.033)	1.1085	(.900)
51	.625	(1.383)	1.4585	(1.250)

1. SHELL OPTIONS (TO BE SPECIFIED IN NANONICS PART NUMBER):
 METAL: 6061-T6 ALUMINUM, ELECTROLESS NICKEL PLATED PER MIL-C-26074 (STANDARD) OR GOLD PLATED PER MIL-G-45204
 303 STAINLESS STEEL, PASSIVATED PER SAE-AMS-QQ-P-35
 INSULATOR MATERIAL FOR ALL METAL SHELLS IS LIQUID CRYSTAL POLYMER (LCP) PER MIL-M-24519 OR PER ASTM D5138
 PLASTIC: LIQUID CRYSTAL POLYMER (LCP) PER MIL-M-24519 OR PER ASTM D5138
2. STANDARD 1.00UNM CAPTIVE JACKSCREWS ARE SHOWN FOR REFERENCE ONLY AND MUST BE SPECIFIED IN THE NANONICS PART NUMBER WHEN REQUIRED. JACKSCREW MATERIAL IS 303 STAINLESS STEEL, PASSIVATED PER SAE-AMS-QQ-P-35, AND LUBED PER DOD-L-85645. RETAINING RING IS 17-4 STAINLESS STEEL, PASSIVATED PER SAE-AMS-QQ-P-35. JACKSCREWS HAVE A .9mm HEX SOCKET HEAD. 1.20UNM JACKSCREWS ALSO AVAILABLE.
3. SMT LEADS ARE BeCu, TIN LEAD PLATED 60/40 COMPOSITION PER SAE-AMS-P-81728
4. NANONICS TERMINATION CODE: B2
5. THIS DRAWING PREVIOUSLY IDENTIFIED AS NANONICS N10138/120

THIS DRAWING IS A CONTROLLED DOCUMENT.		DWN C. SCHOLL 04-19-01	Tyco Electronics Corporation Harrisburg, PA 17105	
DIMENSIONS: INCHES		CHK M. STORRY 04-20-01		
TOLERANCES UNLESS OTHERWISE SPECIFIED:		APVD -	NAME	
0 PLC ± -		PRODUCT SPEC -	PLUG ASSEMBLY,	
1 PLC ± -		APPLICATION SPEC -	HORIZONTAL SURFACE MOUNT,	
2 PLC ± .010			SINGLE ROW DUALLOBE, PLASTIC OR METAL	
3 PLC ± .005			SIZE A2	CAGE CODE 00779
4 PLC ± -			DRAWING NO C=1589460	RESTRICTED TO -
ANGLES ± 1°		WEIGHT -	SCALE 8:1	SHEET 1 OF 2
MATERIAL FINISH SEE NOTES		CUSTOMER DRAWING	REV J	

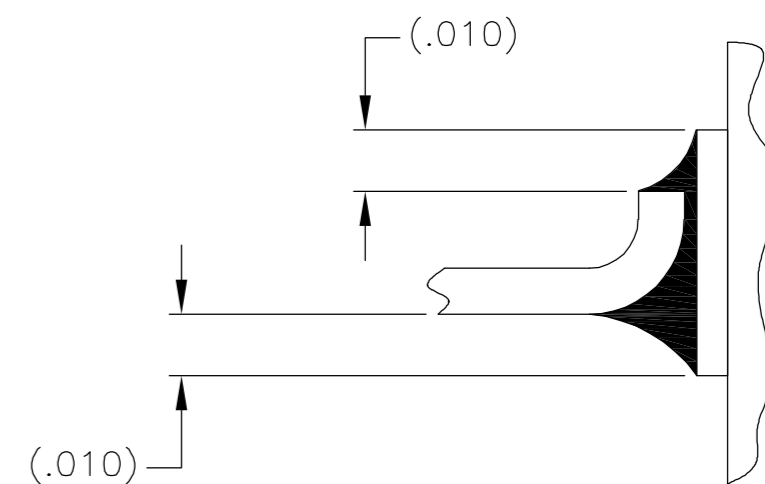
THIS DRAWING IS UNPUBLISHED. RELEASED FOR PUBLICATION
 © COPYRIGHT BY TYCO ELECTRONICS CORPORATION. ALL RIGHTS RESERVED.

LOC		DIST		REVISIONS			
P	LTR	DESCRIPTION		DATE	DWN	APVD	
	J	UPDATE PER 0H2Y-0164-04		05-12-04	JDM	MKS	

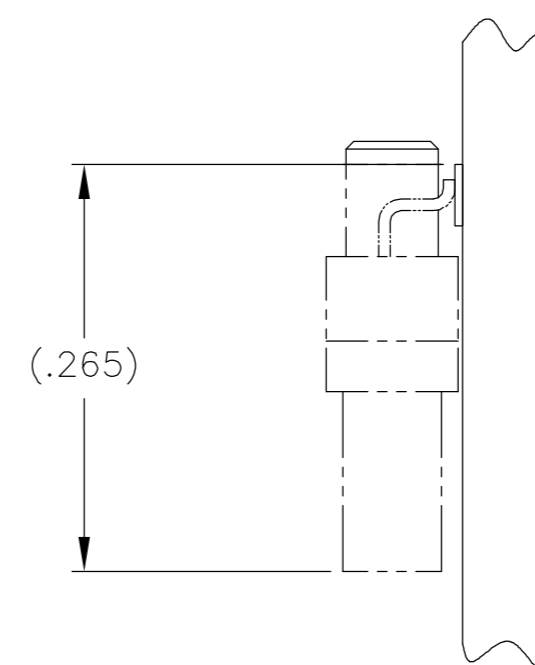


SIZE 09 SHOWN FOR REFERENCE

TYPICAL PCB LAYOUT



TYPICAL FOOT PLACEMENT ON SOLDER PAD



6. POSITIONAL TOLERANCES FOR BASIC DIMENSIONED FEATURES ARE RELATIVE TO FIDUCIALS OR SOME SIMILAR DATUM REFERENCE DEFINED BY THE PCB DESIGNER.

THIS DRAWING IS A CONTROLLED DOCUMENT.		DWN C. SCHOLL 04-19-01	Tyco Electronics Corporation Harrisburg, PA 17105	
DIMENSIONS: INCHES		CHK M. STORRY 04-20-01	NAME	
TOLERANCES UNLESS OTHERWISE SPECIFIED:		APVD -	PRODUCT SPEC	
0 PLC ± -		APPLICATION SPEC	PLUG ASSEMBLY, HORIZONTAL SURFACE MOUNT, SINGLE ROW DUALLOBE, PLASTIC OR METAL	
1 PLC ± -		WEIGHT	SIZE A2	CAGE CODE 00779
2 PLC ± .010		CUSTOMER DRAWING	DRAWING NO C=1589460	RESTRICTED TO
3 PLC ± .005		SCALE 8:1	SHEET 2	OF 2
4 PLC ± -		REV J		
ANGLES ± 1°				
FINISH				

Mouser Electronics

Authorized Distributor

Click to View Pricing, Inventory, Delivery & Lifecycle Information:

[TE Connectivity:](#)

[SSL051B2](#)