
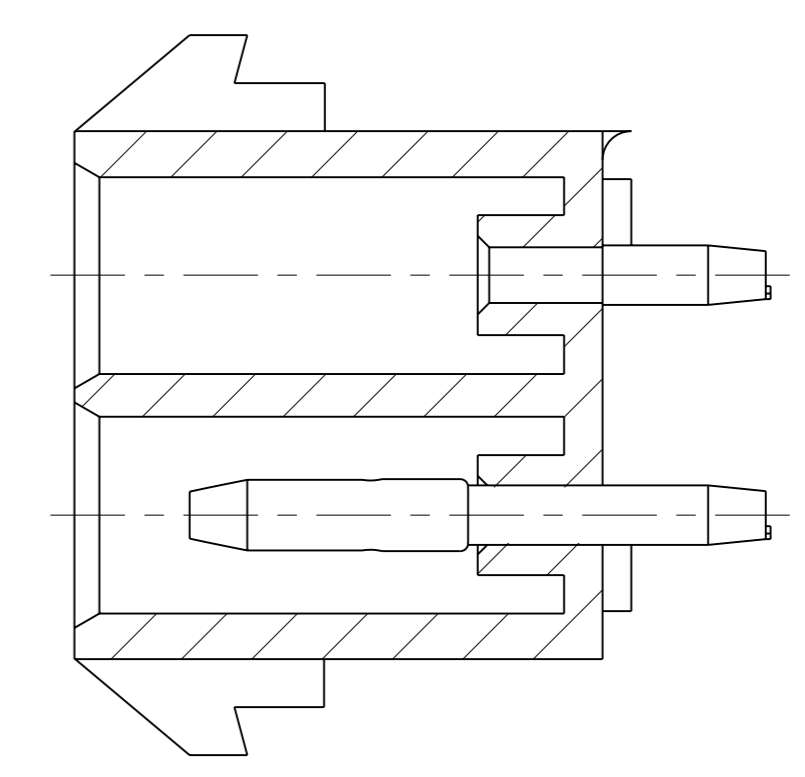
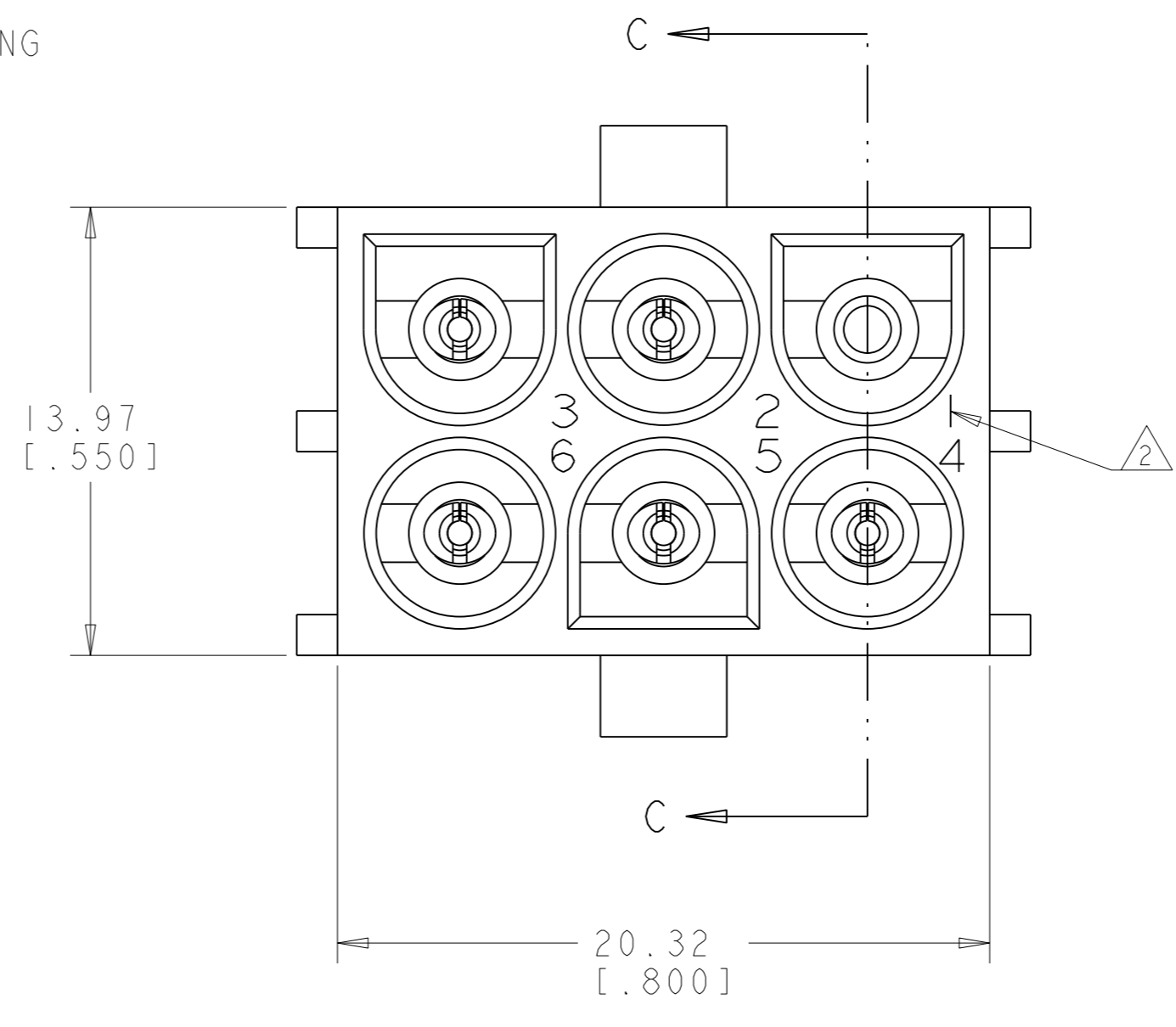
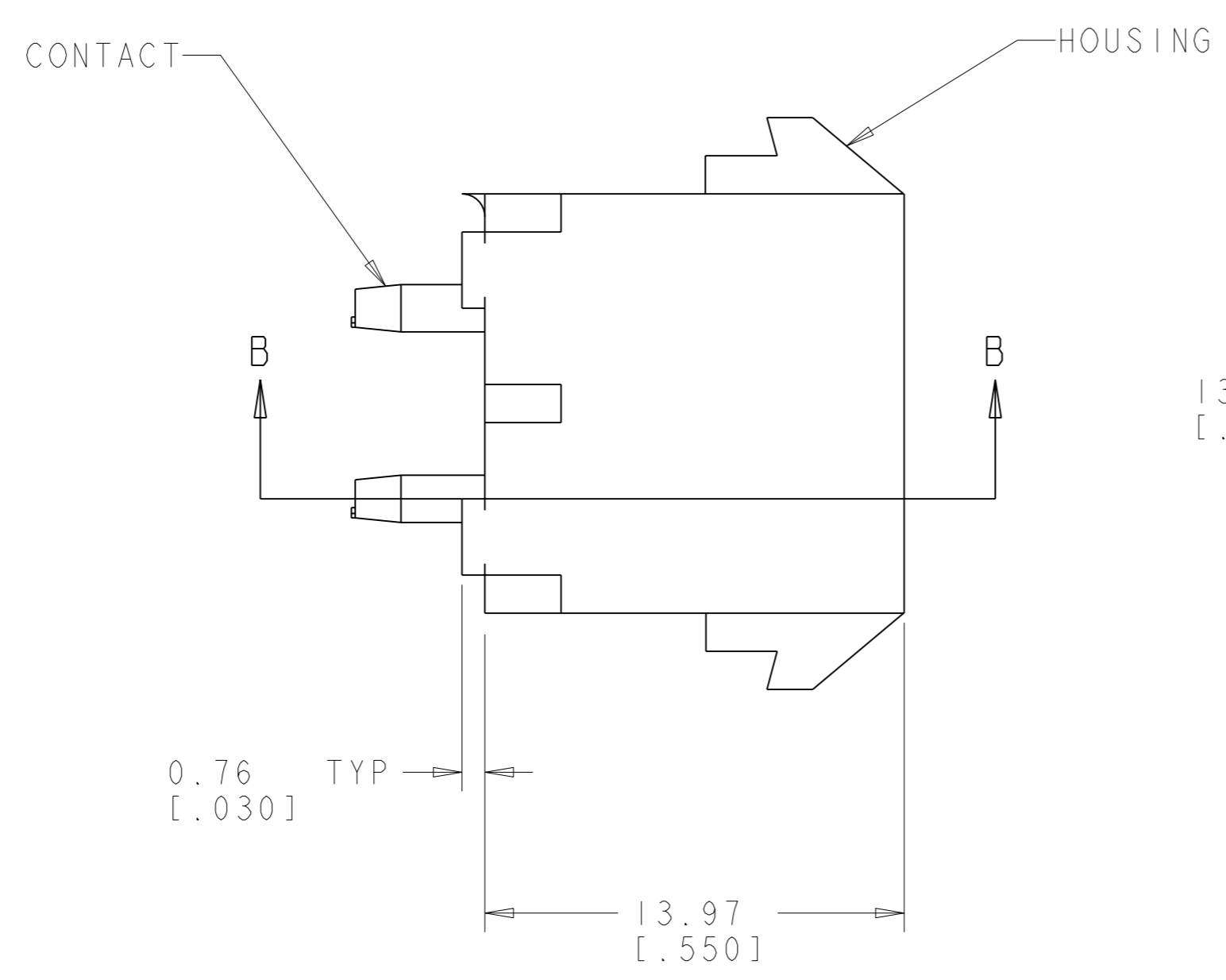
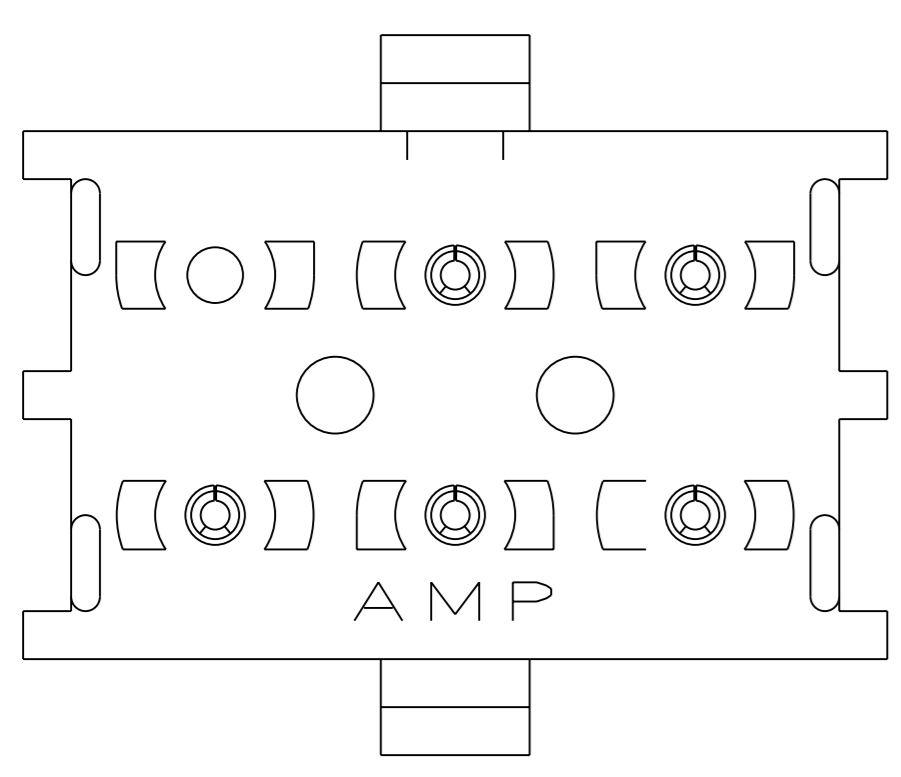
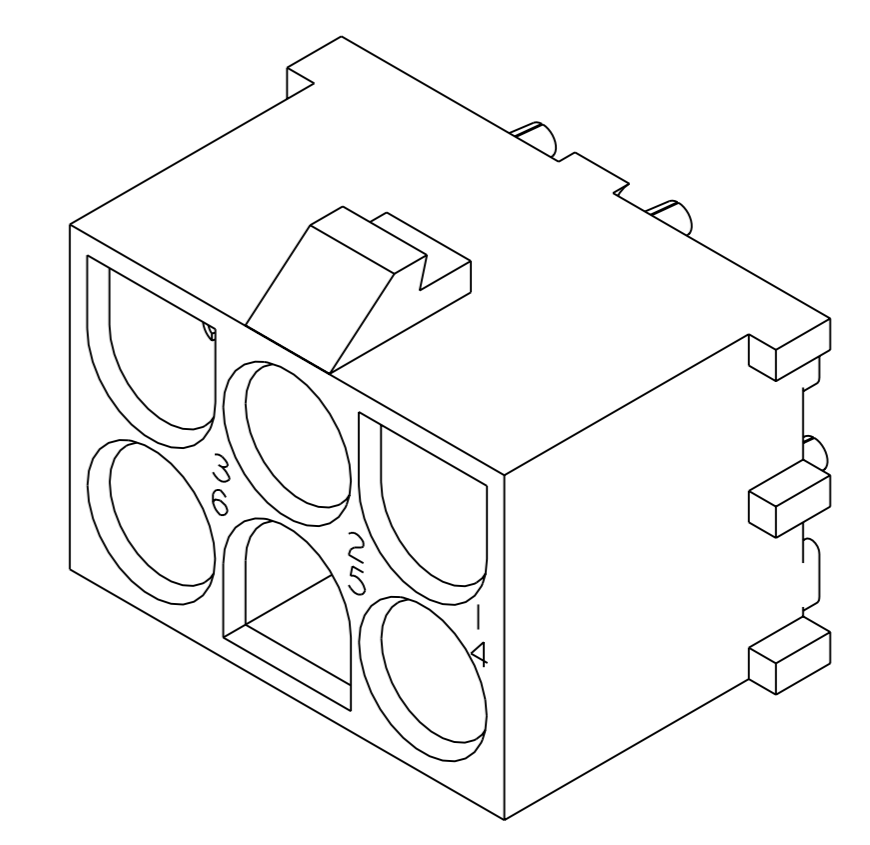


LOC	DIST	REVISIONS			
F	LTR	DESCRIPTION	DATE	DWN	APVD
CM	00	A	RELEASED PER WR-05-27	03MAY05	KW SR

- PARTS COMPLY TO AMP SOLDERABILITY SPECIFICATION 109-11-3.
-  CIRCUIT IDENTIFICATION CHARACTERS ARE ADJACENT TO THE INDICATED CAVITIES, BUT LOCATION AND ORIENTATION MAY DIFFER FROM PRINT.
- DIMENSIONS IN BRACKETS ARE IN INCHES.

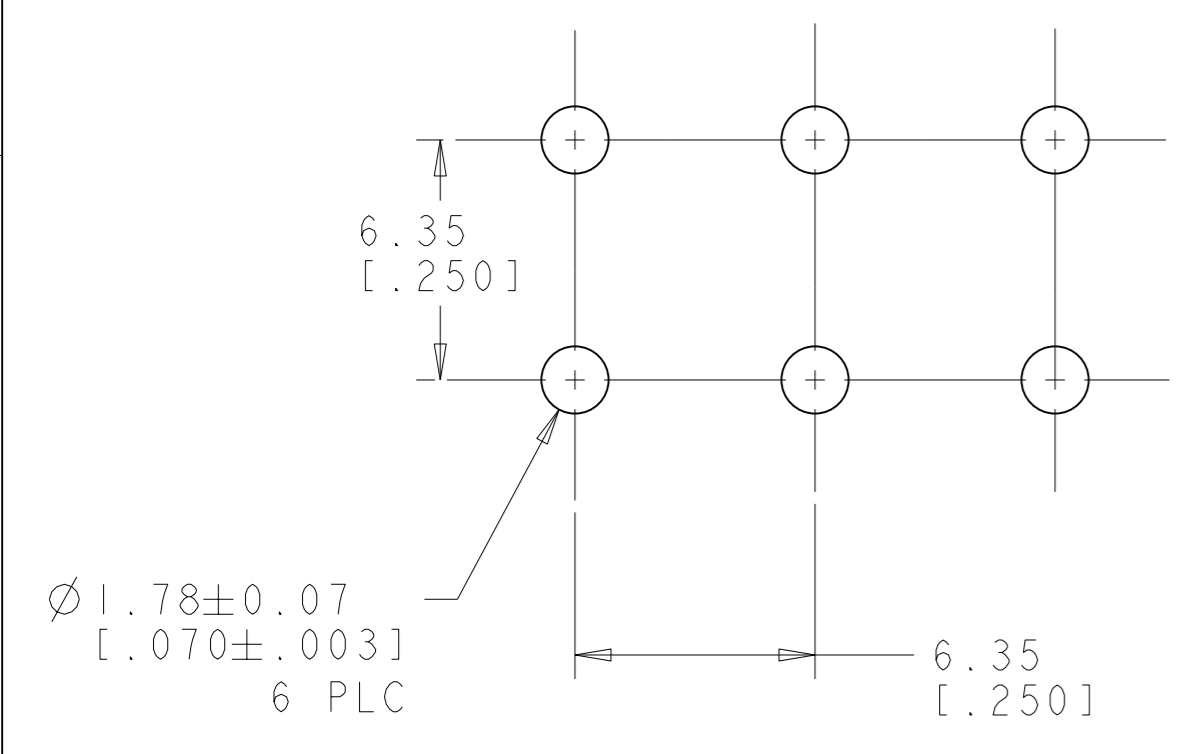


SECTION C-C

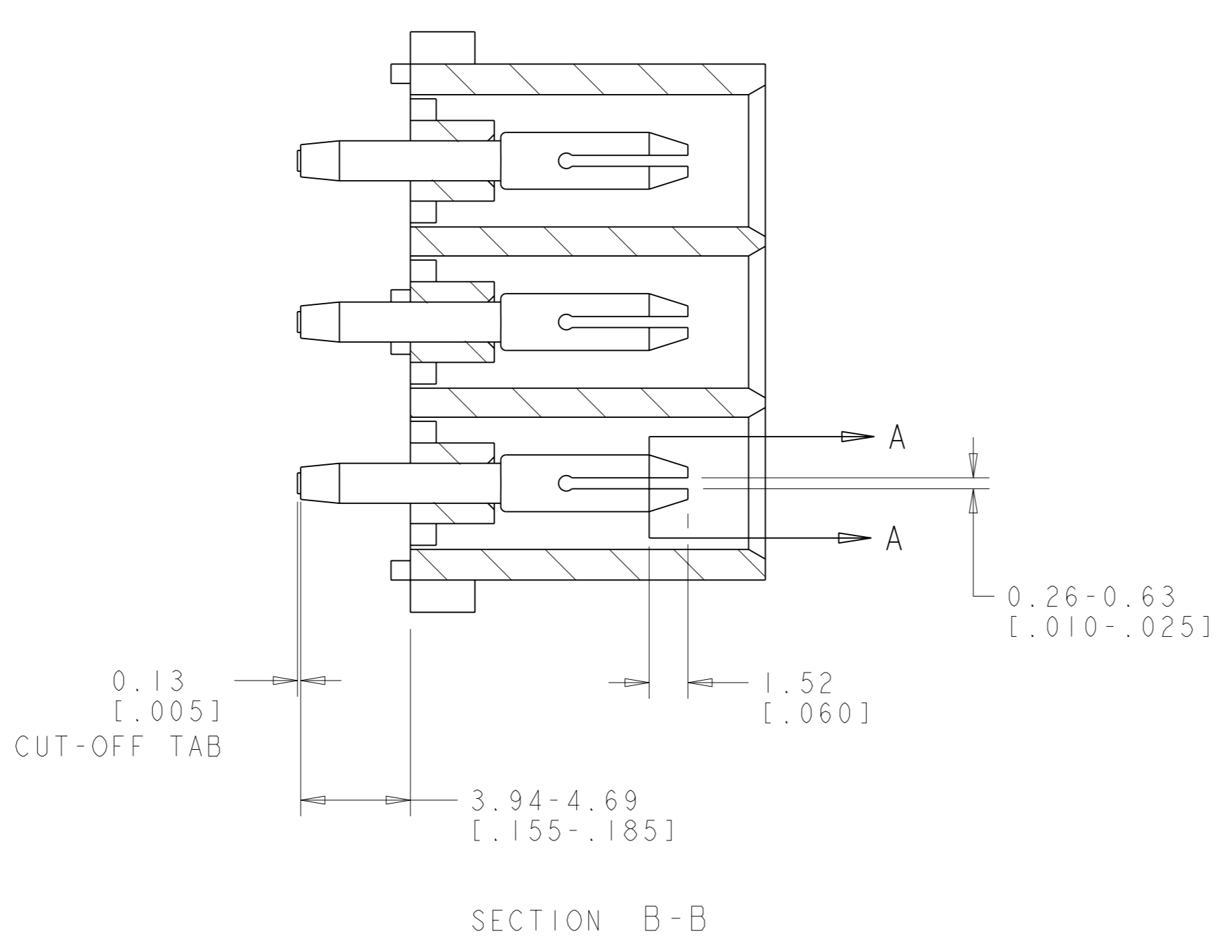


SCALE 4:1

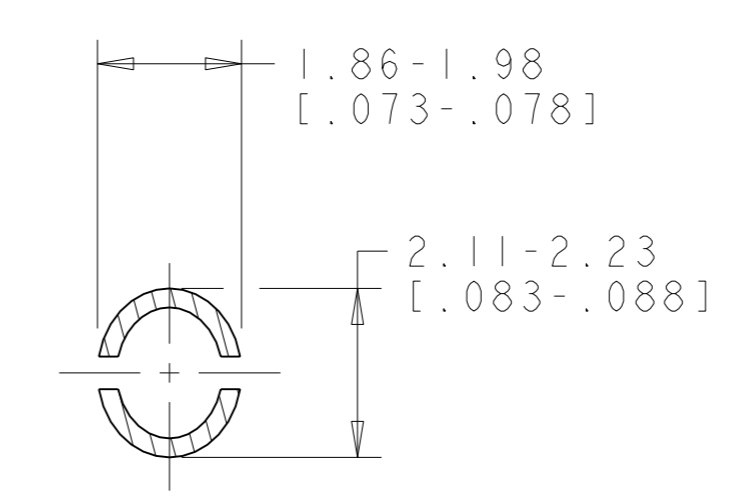
1586680-1 SHOWN



RECOMMENDED MOUNTING HOLE PATTERN FOR 1.57 [.062] THICK P.C. BOARD HOLE THAT CORRESPONDS TO REMOVED CONTACT CAN BE OMITTED



SECTION B-B



SECTION A-A
SCALE 10:1

5	PHOSPOR BRONZE, PRE-TIN	NYLON, UL94V-0, WHITE	1586680-5
1	PHOSPOR BRONZE, PRE-TIN	NYLON, UL94V-0, WHITE	1586680-1
PIN NO OMITTED	PIN CONTACT MATERIAL AND FINISH	HOUSING MATERIAL AND COLOR	PART NUMBER

METRIC

DIMENSIONS: mm [INCHES]		TOLERANCES UNLESS OTHERWISE SPECIFIED:		DWN: K. WHITAKER 24-NOV-03		Tyco Electronics Harrisburg, PA 17105-3608	
0 PLC	±	0 PLC	±	CHK: S. RIDGILL 24-NOV-03	NAME: PIN HEADER ASSEMBLY, 6 CIRCUIT, STANDARD TAIL, SELECTIVELY LOADED, UNIVERSAL MATE-N-LOK(TM)		RESTRICTED TO
1 PLC	±	1 PLC	±	APVD: S. RIDGILL 24-NOV-03	SIZE: A		SCALE: 5:1
2 PLC	±0.13(.005)	2 PLC	±	APPLICATION SPEC	CAGE CODE: 00779		SHEET 1 OF 1
3 PLC	±	3 PLC	±	WEIGHT	DRAWING NO: 1586680		REV A
4 PLC	±	4 PLC	±	CUSTOMER DRAWING	SCALE: 5:1		REV A
ANGLES	40° 30'	FINISH: SEE TABLE					

Mouser Electronics

Authorized Distributor

Click to View Pricing, Inventory, Delivery & Lifecycle Information:

[TE Connectivity:](#)

[1586680-5](#)